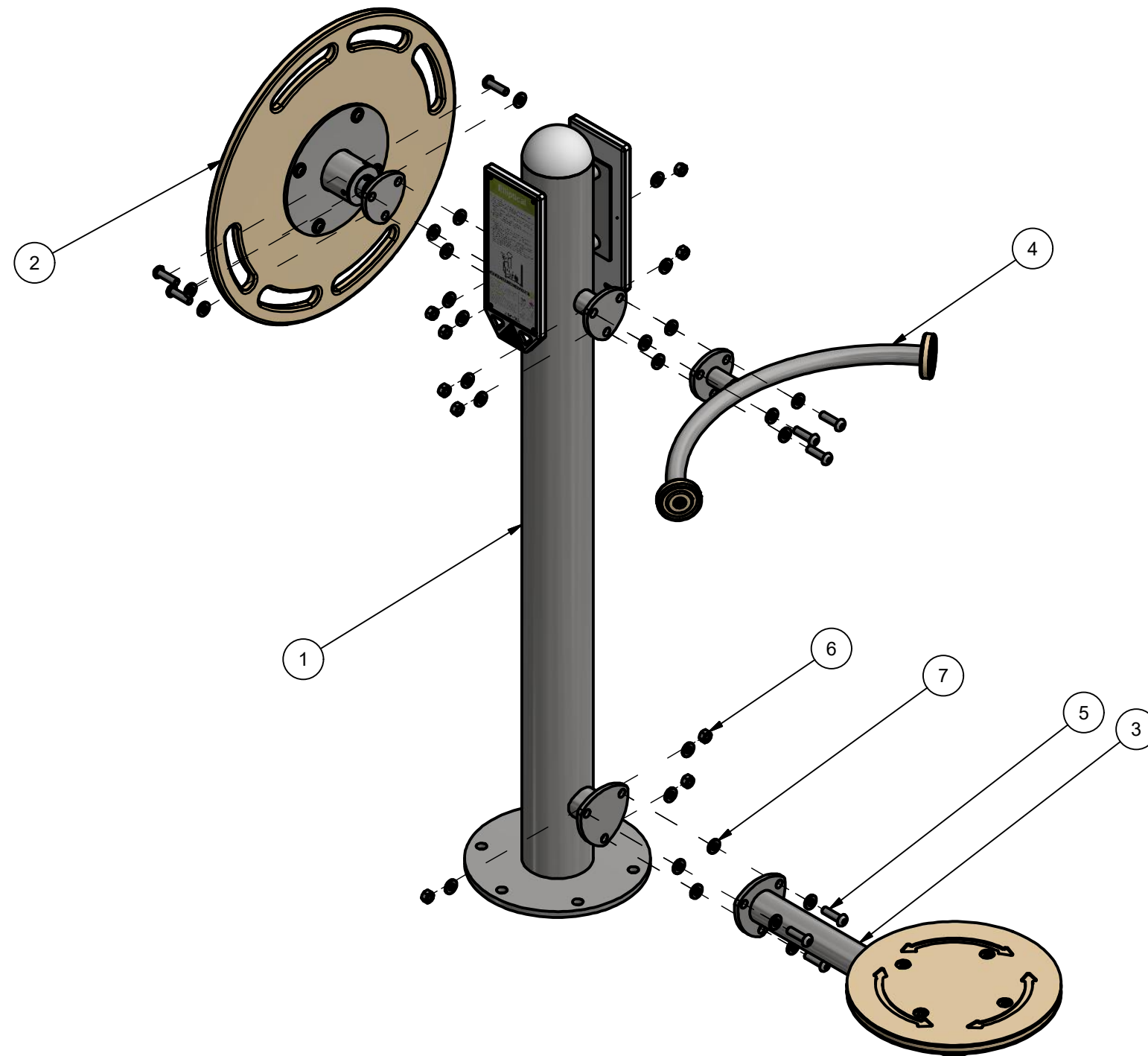


PLAN VIEW DRAWING	
PRODUCT NAME: ActiveFit Lower Upper Body Stretcher	
PRODUCT NUMBER: FIT-000037	REVISED JAN. 2018
ALL DIMENSIONS ARE IN INCHES	SCALE 1 : 16
www.activefit.ca 800-463-2361	

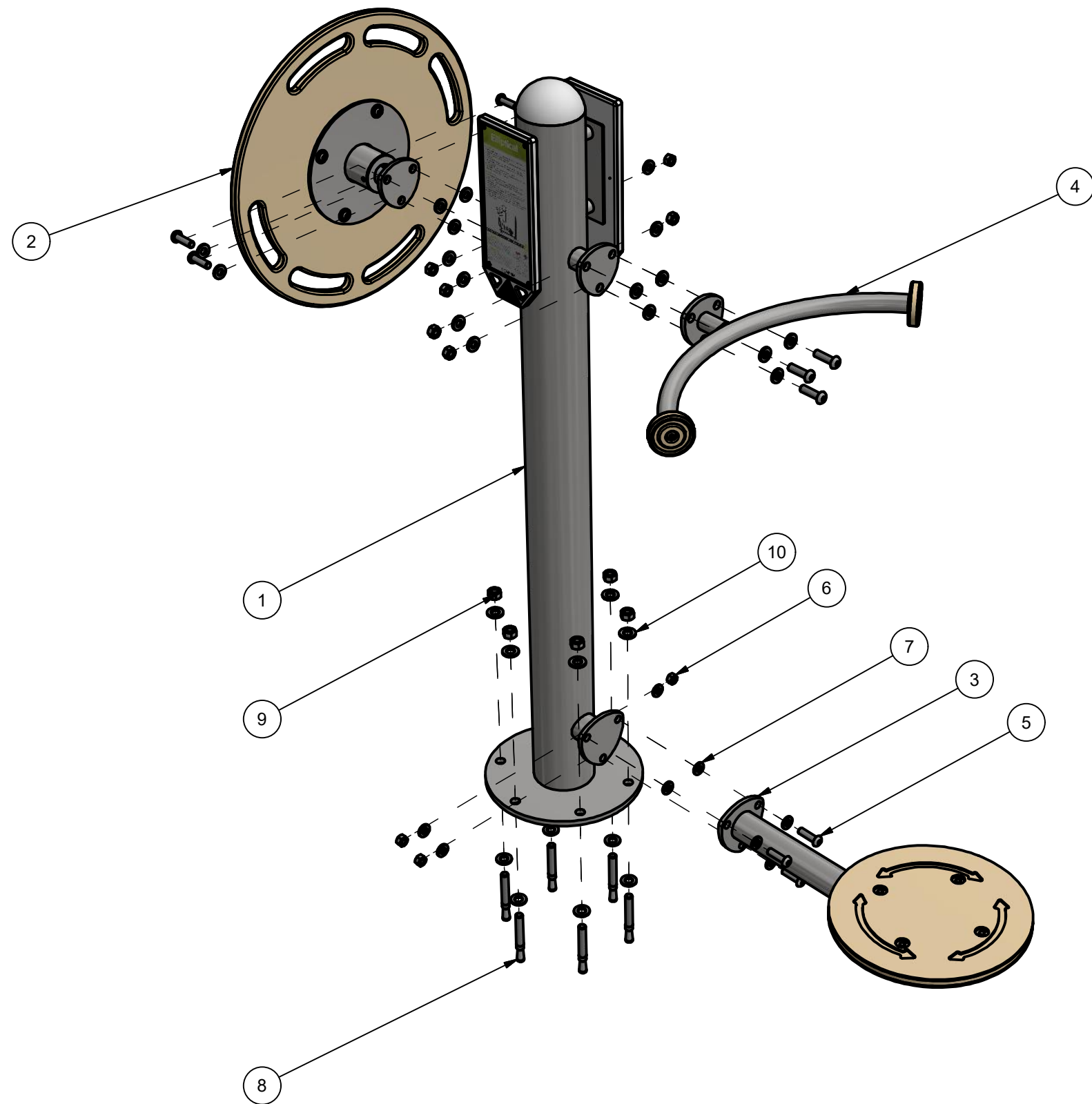


Parts List			
Item	Product Number	Product Name	QTY
1	MTL-000292	ActiveFit Ø5" x 13 gauge x 5' post w/ Lower Upper Body mount and 2 signs holes	1
2	MTL-000273	Ø3" pipe and Ø10" plate weldment	1
3	MTL-000290	Lower Body Stretcher feet extension weldment	1
4	MTL-000311	ActiveFit Modular Handle Bar	1
5	FAS-000041	1/2"-13 x 1-3/4" ASTM F879 Hex Drive Grade 18-8 Stainless Steel Button Socket Cap Screw	9
6	FAS-000034	1/2"-13 SS Hex Nut	9
7	FAS-000035	1/2" Galvanized Steel Structural Flat Washer	27

NOTE:
APPLY LOCKTITE TO BOLTS WHEN ASSEMBLING



ASSEMBLY DRAWING	
PRODUCT NAME: ActiveFit Lower Upper Body Stretcher	
PRODUCT NUMBER: FIT-000037	REVISED JAN. 2018
ALL DIMENSIONS ARE IN INCHES	SCALE 1:10
www.activefit.ca 800-463-2361	



Parts List

Item	Product Number	Product Name	QTY
1	MTL-000292	ActiveFit Ø5" x 13 gauge x 5' post w/ Lower Upper Body mount and 2 signs holes	1
2	MTL-000273	Ø3" pipe and Ø10" plate weldment	1
3	MTL-000290	Lower Body Stretcher feet extension weldment	1
4	MTL-000311	ActiveFit Modular Handle Bar	1
5	FAS-000041	1/2"-13 x 1-3/4" ASTM F879 Hex Drive Grade 18-8 Stainless Steel Button Socket Cap Screw	9
6	FAS-000034	1/2"-13 SS Hex Nut	9
7	FAS-000035	1/2" Galvanized Steel Structural Flat Washer	27
8	FAS-000014	5/8" x 5" Trubolt® 316 S/S Wedge Anchor	6
9	FAS-000015	5/8"-11 18-8 SS Hex Nut	6
10	FAS-000013	5/8" ASTM F436 Structural Flat Washer	12

NOTE:
APPLY LOCKTITE TO BOLTS WHEN ASSEMBLING

INSTALLATION DRAWING

PRODUCT NAME: ActiveFit Lower Upper Body Stretcher

PRODUCT NUMBER: FIT-000037

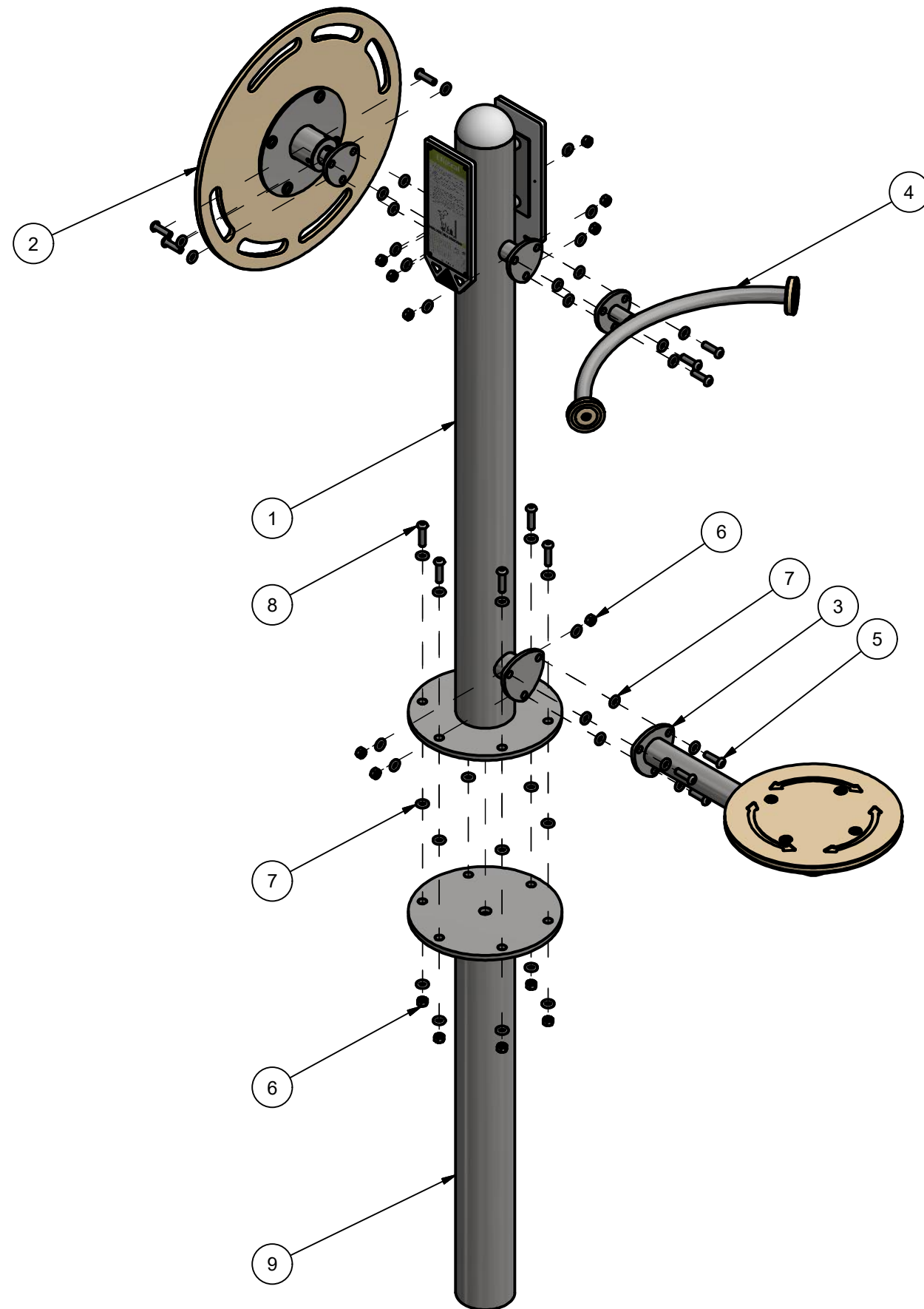
REVISED JAN. 2018

ALL DIMENSIONS ARE IN INCHES

SCALE 1:10

www.activefit.ca | 800-463-2361





Parts List

Item	Product Number	Product Name	QTY
1	MTL-000292	ActiveFit Ø5" x 13 gauge x 5' post w/ Lower Upper Body mount and 2 signs holes	1
2	MTL-000273	Ø3" pipe and Ø10" plate weldment	1
3	MTL-000290	Lower Body Stretcher feet extension weldment	1
4	MTL-000311	ActiveFit Modular Handle Bar	1
5	FAS-000041	1/2"-13 x 1-3/4" ASTM F879 Hex Drive Grade 18-8 Stainless Steel Button Socket Cap Screw	9
6	FAS-000034	1/2"-13 SS Hex Nut	15
7	FAS-000035	1/2" Galvanized Steel Structural Flat Washer	45
8	FAS-000033	1/2" x 13 x 2" SS Button Socket Cap Screw	6
9	FDN-000003	Concrete Post Extension (13" dia Plate w/ 5" Post)(No Gussets)	1

NOTE:
APPLY LOCKTITE TO BOLTS WHEN ASSEMBLING

INSTALLATION DRAWING

PRODUCT NAME: ActiveFit Lower Upper Body Stretcher

PRODUCT NUMBER: FIT-000037

REVISED JAN. 2018

ALL DIMENSIONS ARE IN INCHES

SCALE 1:12

www.activefit.ca | 800-463-2361

