

TRAINING ENVELOPE

CLEARANCE SPACE

R12 TYP

66 REF

48 REF

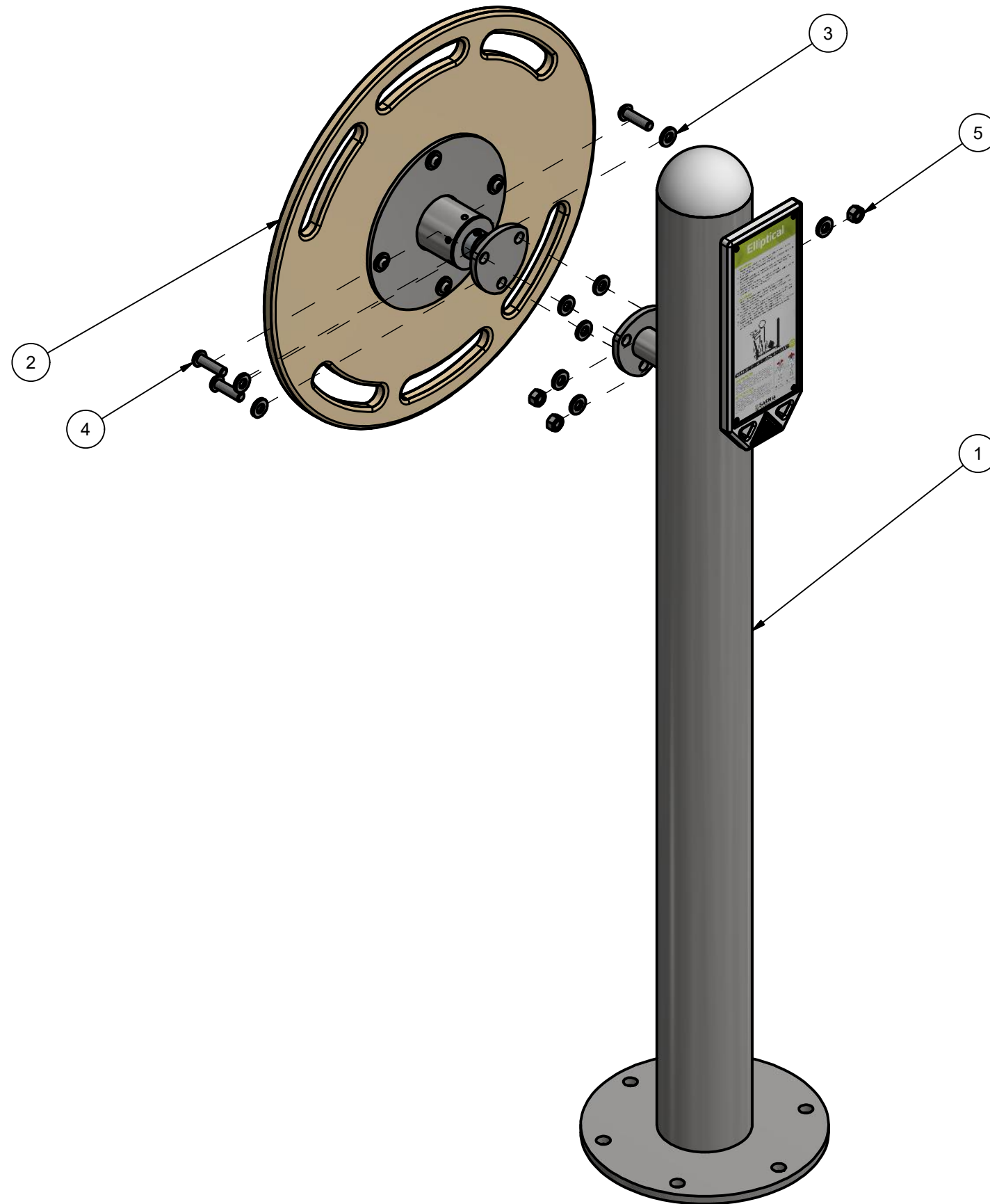
36

24

48



PLAN VIEW DRAWING	
PRODUCT NAME: ActiveFit Upper Body Stretcher	
PRODUCT NUMBER: FIT-000035	REVISED JAN. 2018
ALL DIMENSIONS ARE IN INCHES	SCALE 1 : 12
<a href="http://www.activefit.ca">www.activefit.ca</a>   800-463-2361	

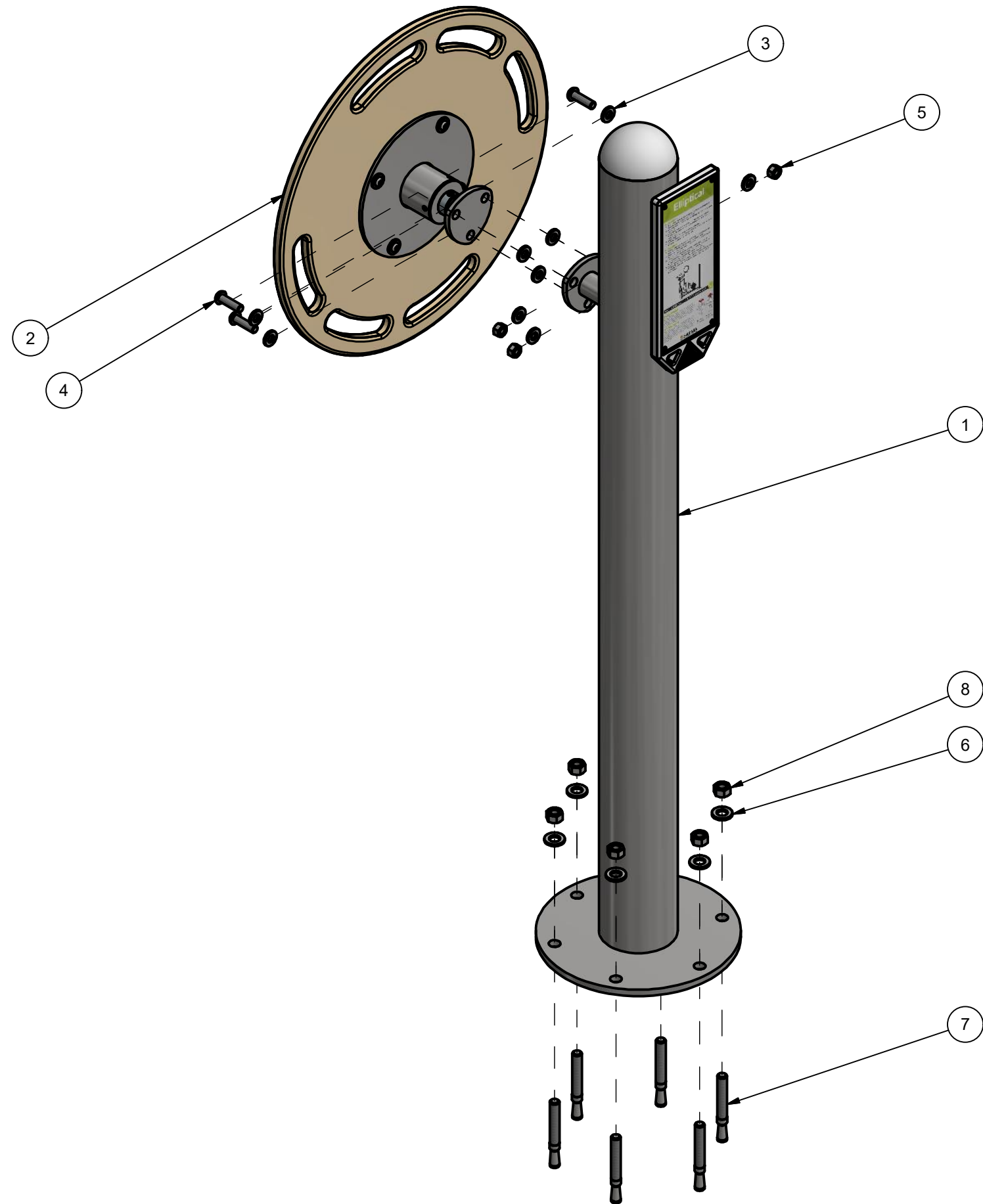


Parts List			
Item	Product Number	Product Name	QTY
1	MTL-000284	ActiveFit Ø5" x 13 gauge x 5' post w/ 4" oval clip 48" high and sign holes	1
2	MTL-000273	Ø3" pipe and Ø10" plate weldment	1
3	FAS-000035	1/2" Galvanized Steel Structural Flat Washer	9
4	FAS-000041	1/2"-13 x 1-3/4" ASTM F879 Hex Drive Grade 18-8 Stainless Steel Button Socket Cap Screw	3
5	FAS-000034	1/2"-13 SS Hex Nut	3

NOTE:  
APPLY LOCKTITE TO BOLTS WHEN ASSEMBLING



ASSEMBLY DRAWING	
PRODUCT NAME: ActiveFit Upper Body Stretcher	
PRODUCT NUMBER: FIT-000035	REVISED JAN. 2018
ALL DIMENSIONS ARE IN INCHES	SCALE 1:7
<a href="http://www.activefit.ca">www.activefit.ca</a>   800-463-2361	

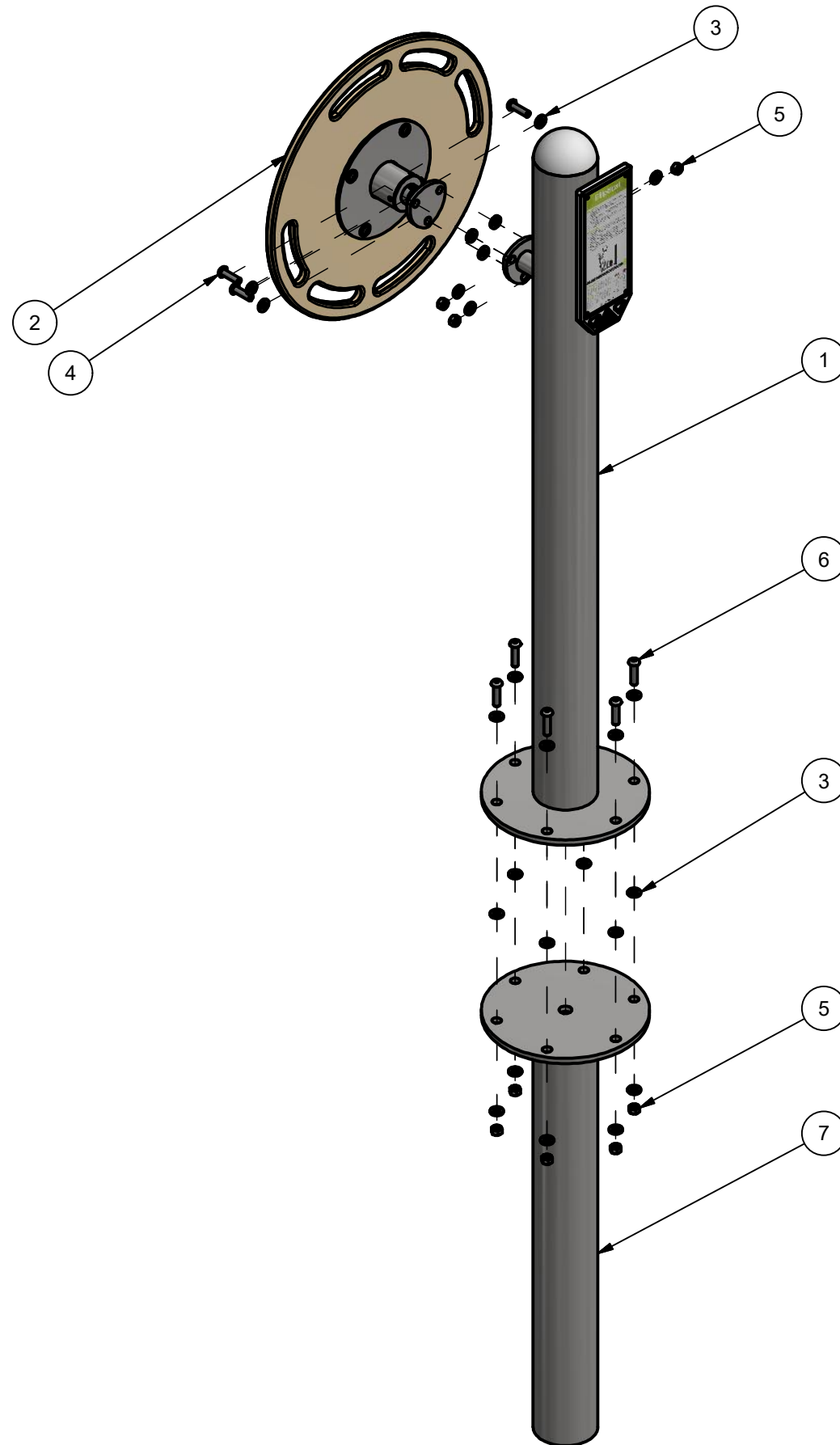


Parts List			
Item	Product Number	Product Name	QTY
1	MTL-000284	ActiveFit Ø5" x 13 gauge x 5' post w/ 4" oval clip 48" high and sign holes	1
2	MTL-000273	Ø3" pipe and Ø10" plate weldment	1
3	FAS-000035	1/2" Galvanized Steel Structural Flat Washer	9
4	FAS-000041	1/2"-13 x 1-3/4" ASTM F879 Hex Drive Grade 18-8 Stainless Steel Button Socket Cap Screw	3
5	FAS-000034	1/2"-13 SS Hex Nut	3
6	FAS-000013	5/8" ASTM F436 Structural Flat Washer	12
7	FAS-000014	5/8" x 5" Trubolt® 316 S/S Wedge Anchor	6
8	FAS-000015	5/8"-11 18-8 SS Hex Nut	6

NOTE:  
APPLY LOCKTITE TO BOLTS WHEN ASSEMBLING



INSTALLATION DRAWING	
PRODUCT NAME: ActiveFit Upper Body Stretcher	
PRODUCT NUMBER: FIT-000035	REVISED JAN. 2018
ALL DIMENSIONS ARE IN INCHES	SCALE 1:8
<a href="http://www.activefit.ca">www.activefit.ca</a>   800-463-2361	



Parts List

Item	Product Number	Product Name	QTY
1	MTL-000284	ActiveFit Ø5" x 13 gauge x 5' post w/ 4" oval clip 48" high and sign holes	1
2	MTL-000273	Ø3" pipe and Ø10" plate weldment	1
3	FAS-000035	1/2" Galvanized Steel Structural Flat Washer	27
4	FAS-000041	1/2"-13 x 1-3/4" ASTM F879 Hex Drive Grade 18-8 Stainless Steel Button Socket Cap Screw	3
5	FAS-000034	1/2"-13 SS Hex Nut	9
6	FAS-000033	1/2" x 13 x 2" SS Button Socket Cap Screw	6
7	FDN-000003	Concrete Post Extension (13" dia Plate w/ 5" Post)(No Gussets)	1

NOTE:  
APPLY LOCKTITE TO BOLTS WHEN ASSEMBLING



INSTALLATION DRAWING

PRODUCT NAME: ActiveFit Upper Body Stretcher

PRODUCT NUMBER: FIT-000035

REVISED JAN. 2018

ALL DIMENSIONS ARE IN INCHES

SCALE 1:12

[www.activefit.ca](http://www.activefit.ca) | 800-463-2361