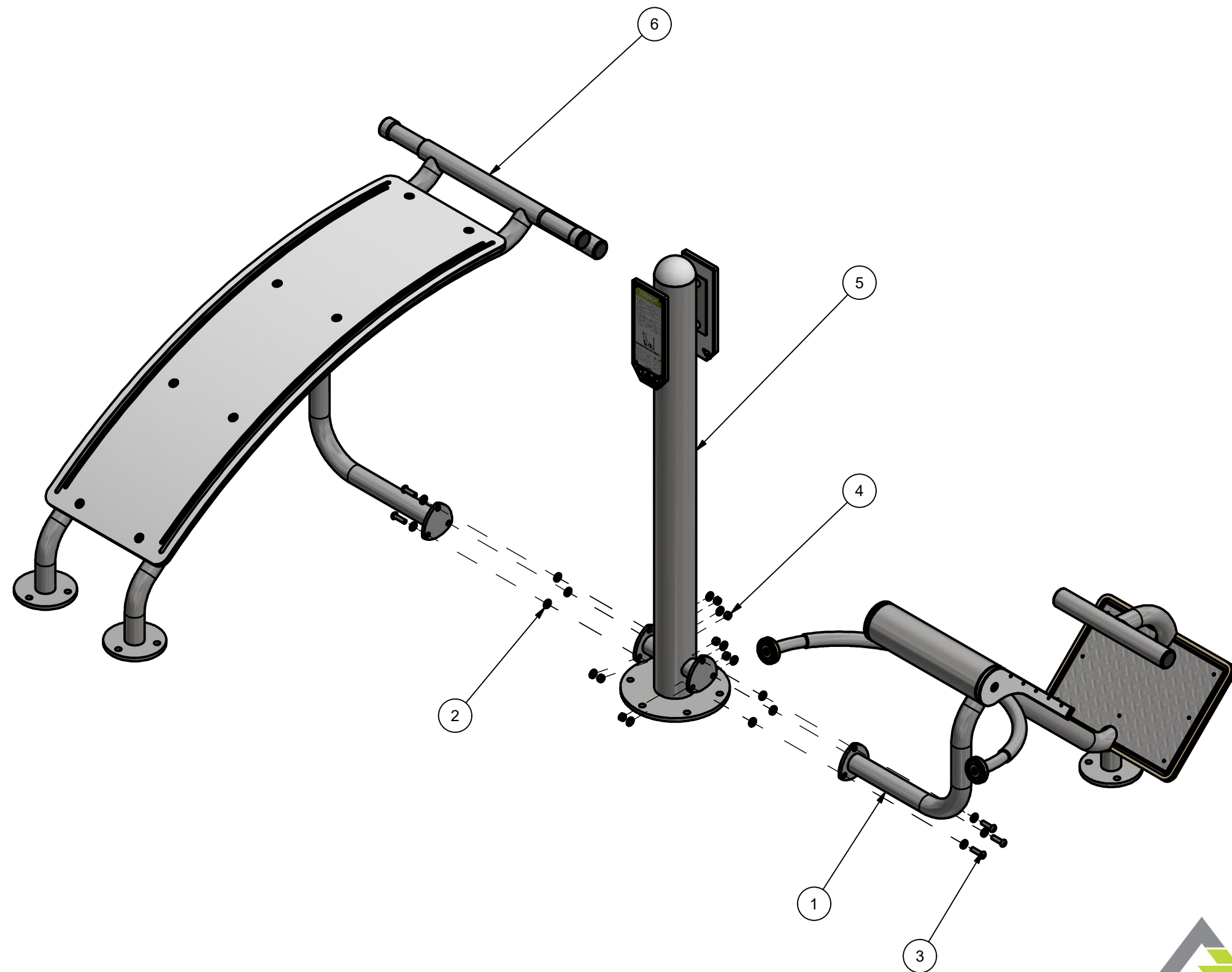


PLAN VIEW DRAWING	
PRODUCT NAME: ActiveFit Total Core Combo	
PRODUCT NUMBER: FIT-000025	REVISED JAN. 2018
ALL DIMENSIONS ARE IN INCHES	SCALE 1 : 24
www.activefit.ca 800-463-2361	

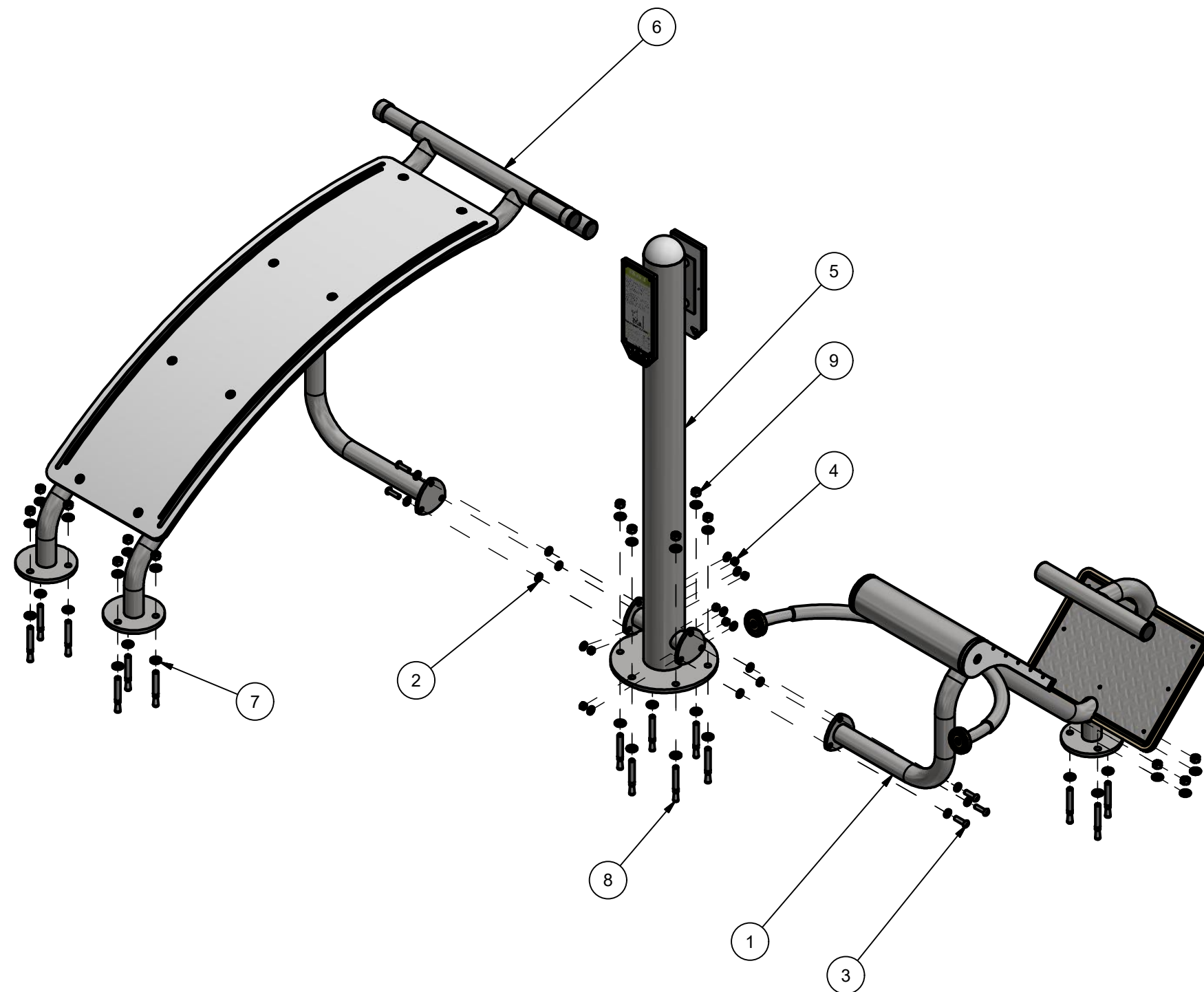
Parts List			
Item	Product Number	Product Name	QTY
1	MTL-000211	Oblique & Back Enxtension Main Frame	1
2	FAS-000035	1/2" Galvanized Steel Structural Flat Washer	18
3	FAS-000041	1/2"-13 x 1-3/4" ASTM F879 Hex Drive Grade 18-8 Stainless Steel Button Socket Cap Screw	6
4	FAS-000034	1/2"-13 SS Hex Nut	6
5	PST-000019	ActiveFit Ø5" x 13 gauge x 5' Double Modular Post w/ Sign. Connector 1 1/2" from Grade.	1
6	MTL-000205	Sit Up Bench Main Frame	1



NOTE:
APPLY LOCKTITE TO BOLTS WHEN ASSEMBLING



ASSEMBLY DRAWING	
PRODUCT NAME: ActiveFit Total Core Combo	
PRODUCT NUMBER: FIT-000025	REVISED JAN. 2018
ALL DIMENSIONS ARE IN INCHES	SCALE 1:14
www.activefit.ca 800-463-2361	

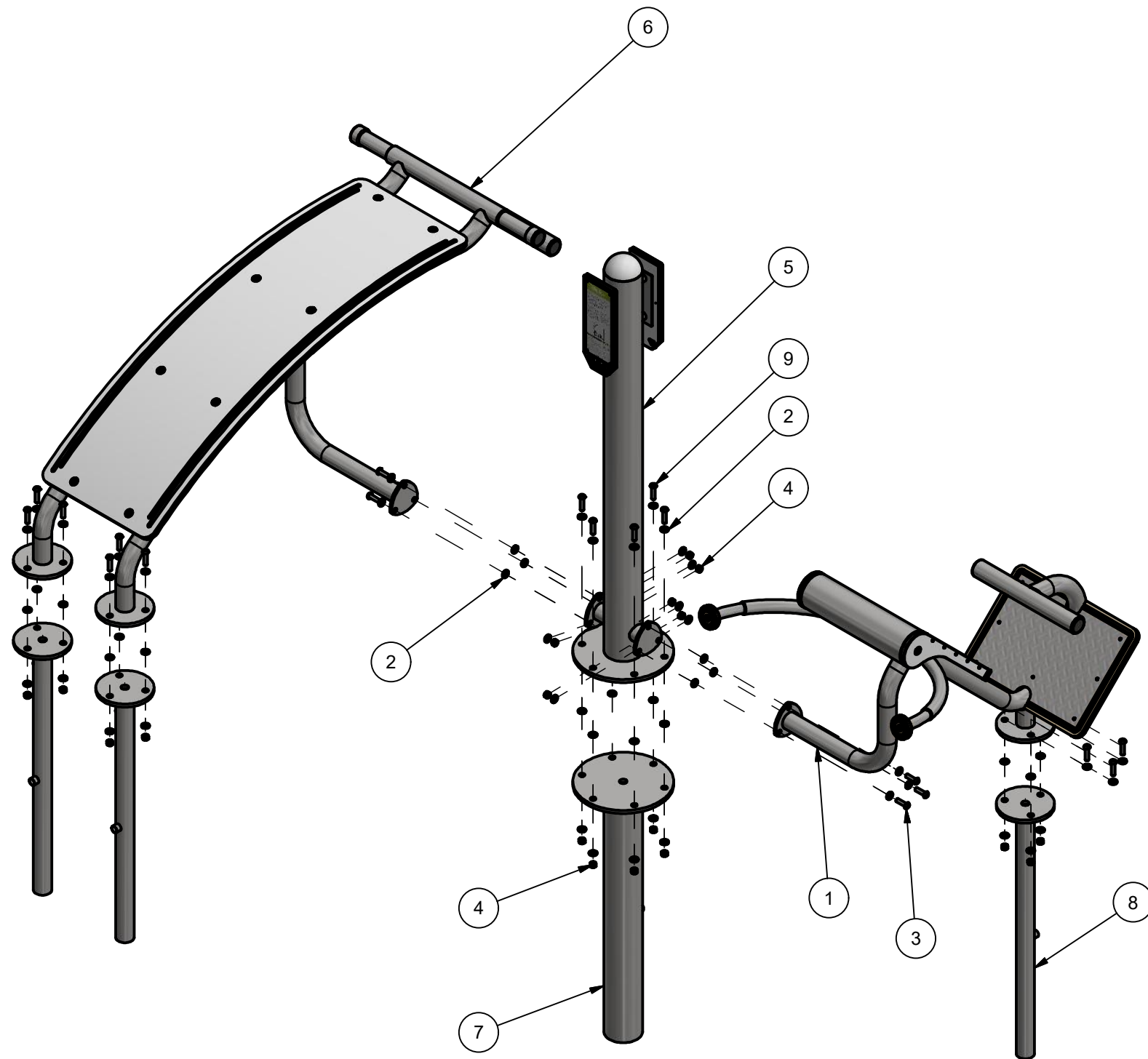


Parts List			
Item	Product Number	Product Name	QTY
1	MTL-000211	Oblique & Back Enxtension Main Frame	1
2	FAS-000035	1/2" Galvanized Steel Structural Flat Washer	18
3	FAS-000041	1/2"-13 x 1-3/4" ASTM F879 Hex Drive Grade 18-8 Stainless Steel Button Socket Cap Screw	6
4	FAS-000034	1/2"-13 SS Hex Nut	6
5	PST-000019	ActiveFit Ø5" x 13 gauge x 5' Double Modular Post w/ Sign. Connector 1 1/2" from Grade.	1
6	MTL-000205	Sit Up Bench Main Frame	1
7	FAS-000013	5/8" ASTM F436 Structural Flat Washer	30
8	FAS-000014	5/8" x 5" Trubolt® 316 S/S Wedge Anchor	15
9	FAS-000015	5/8"-11 18-8 SS Hex Nut	15

NOTE:
APPLY LOCKTITE TO BOLTS WHEN ASSEMBLING



INSTALLATION DRAWING	
PRODUCT NAME: ActiveFit Total Core Combo	
PRODUCT NUMBER: FIT-000025	REVISED JAN. 2018
ALL DIMENSIONS ARE IN INCHES	SCALE 1:16
www.activefit.ca 800-463-2361	



Parts List			
Item	Product Number	Product Name	QTY
1	MTL-000211	Oblique & Back Enxtension Main Frame	1
2	FAS-000035	1/2" Galvanized Steel Structural Flat Washer	63
3	FAS-000041	1/2"-13 x 1-3/4" ASTM F879 Hex Drive Grade 18-8 Stainless Steel Button Socket Cap Screw	6
4	FAS-000034	1/2"-13 SS Hex Nut	21
5	PST-000019	ActiveFit Ø5" x 13 gauge x 5' Double Modular Post w/ Sign. Connector 1 1/2" from Grade.	1
6	MTL-000205	Sit Up Bench Main Frame	1
7	FDN-000003	Concrete Post Extension (13" dia Plate w/ 5" Post)(No Gussets)	1
8	FDN-000007	Concrete Post Extension (7 1/2" dia Plate w/ 2 3/8" Post)(No Gussets)	3
9	FAS-000033	1/2" x 13 x 2" SS Button Socket Cap Screw	15

NOTE:
APPLY LOCKTITE TO BOLTS WHEN ASSEMBLING



INSTALLATION DRAWING	
PRODUCT NAME: ActiveFit Total Core Combo	
PRODUCT NUMBER: FIT-000025	REVISED JAN. 2018
ALL DIMENSIONS ARE IN INCHES	SCALE 1:18
www.activefit.ca 800-463-2361	