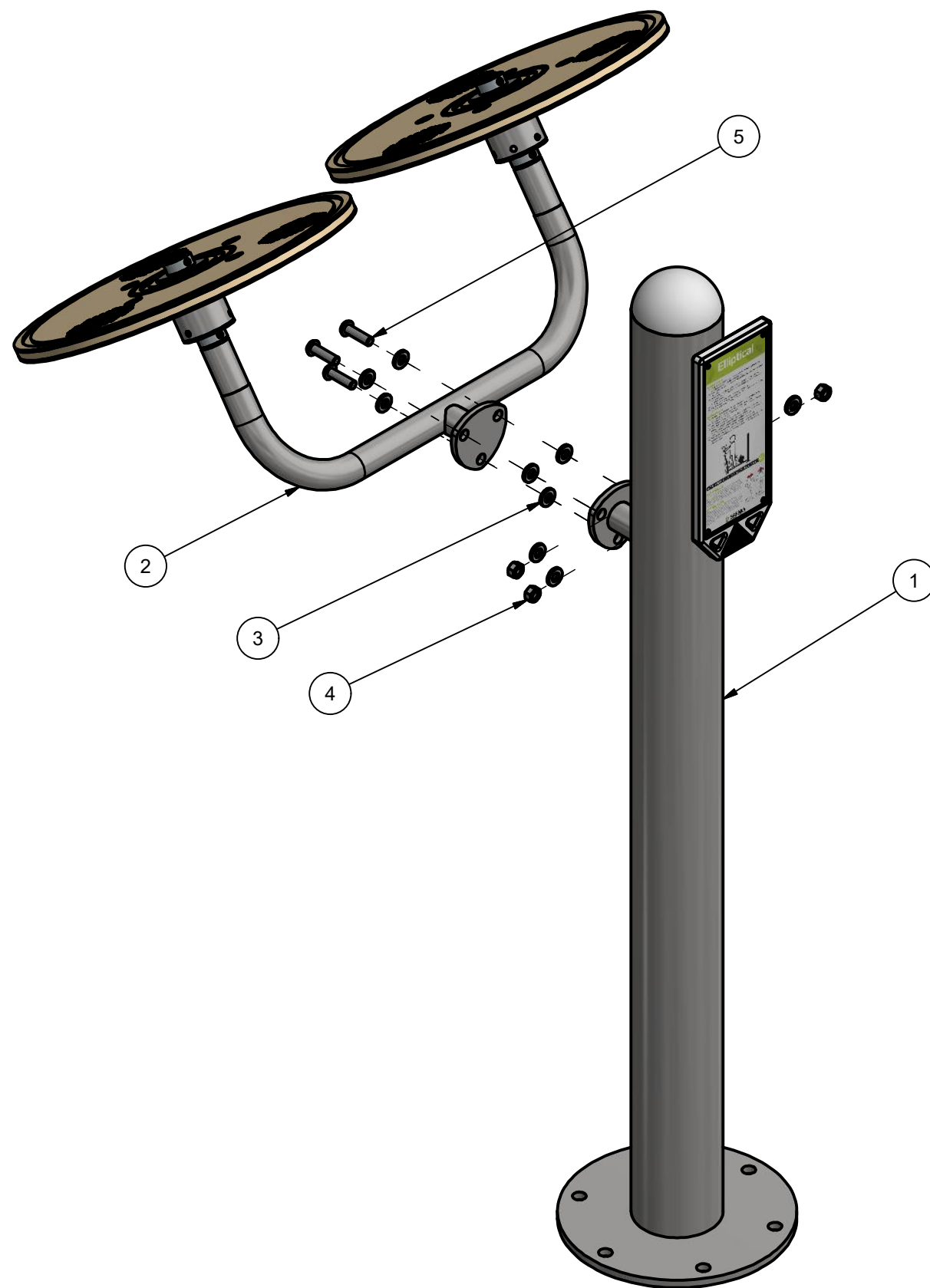


PLAN VIEW DRAWING	
PRODUCT NAME: ActiveFit Tai Chi	
PRODUCT NUMBER: FIT-000031	REVISED JAN. 2018
ALL DIMENSIONS ARE IN INCHES	SCALE 1 : 16
www.activefit.ca 800-463-2361	



Parts List			
Item	Product Number	Product Name	QTY
1	PST-000023	ActiveFit Ø5" x 13 gauge x 5' Modular Post w/ Sign. Connector 44" from Grade.	1
2	MTL-000265	Taichi u shape pipe discs holder	1
3	FAS-000035	1/2" Galvanized Steel Structural Flat Washer	9
4	FAS-000034	1/2"-13 SS Hex Nut	3
5	FAS-000041	1/2"-13 x 1-3/4" ASTM F879 Hex Drive Grade 18-8 Stainless Steel Button Socket Cap Screw	3

ASSEMBLY DRAWING

PRODUCT NAME: ActiveFit Tai Chi

PRODUCT NUMBER: FIT-000031

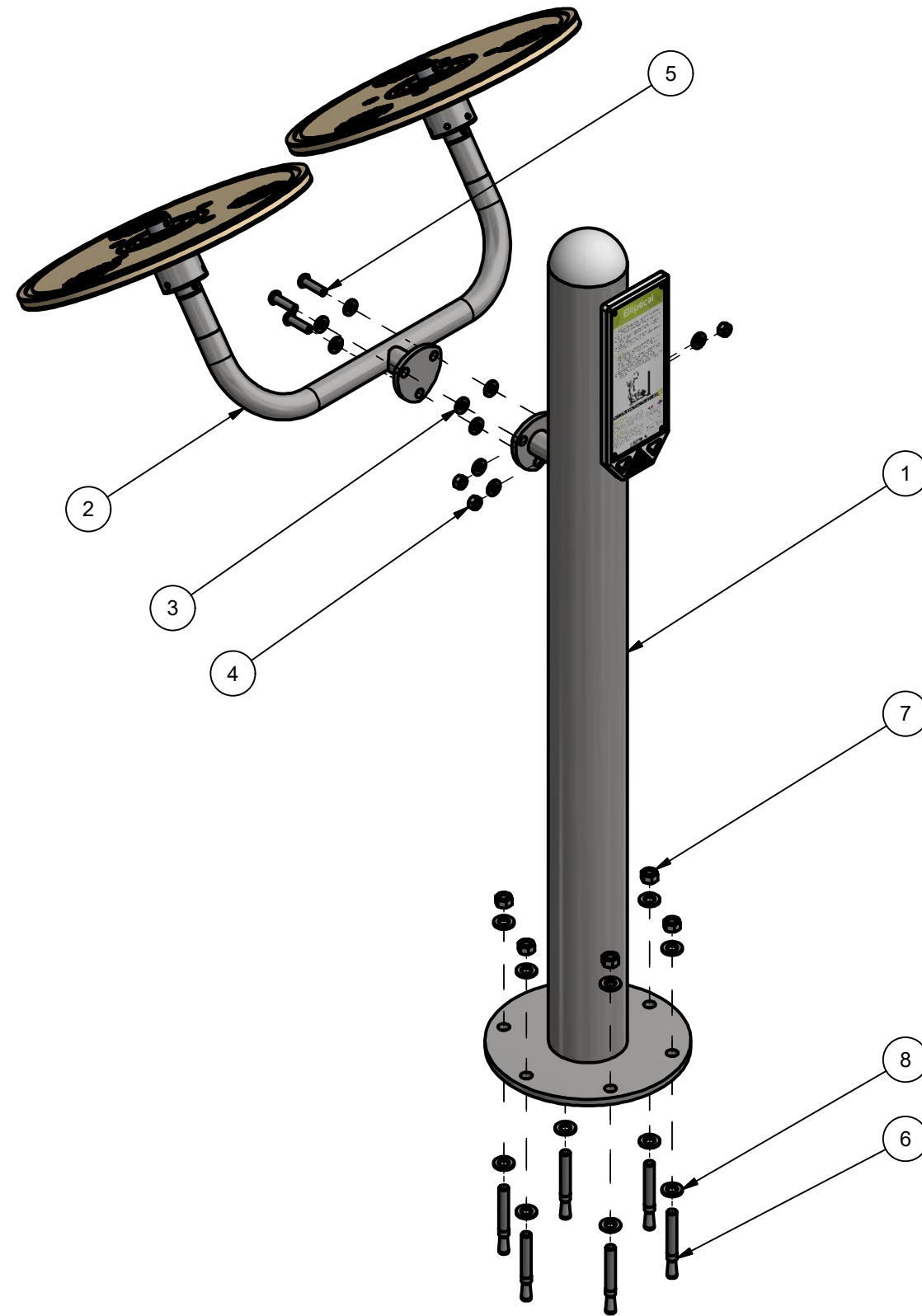
REVISED JAN. 2018

ALL DIMENSIONS ARE IN INCHES

SCALE 1:8

www.activefit.ca | 800-463-2361





Parts List

Item	Product Number	Product Name	QTY
1	PST-000023	ActiveFit Ø5" x 13 gauge x 5' Modular Post w/ Sign. Connector 44" from Grade.	1
2	MTL-000265	Taichi u shape pipe discs holder	1
3	FAS-000035	1/2" Galvanized Steel Structural Flat Washer	9
4	FAS-000034	1/2"-13 SS Hex Nut	3
5	FAS-000041	1/2"-13 x 1-3/4" ASTM F879 Hex Drive Grade 18-8 Stainless Steel Button Socket Cap Screw	3
6	FAS-000014	5/8" x 5" Trubolt® 316 S/S Wedge Anchor	6
7	FAS-000015	5/8"-11 18-8 SS Hex Nut	6
8	FAS-000013	5/8" ASTM F436 Structural Flat Washer	12

INSTALLATION DRAWING

PRODUCT NAME: ActiveFit Tai Chi

PRODUCT NUMBER: FIT-000031

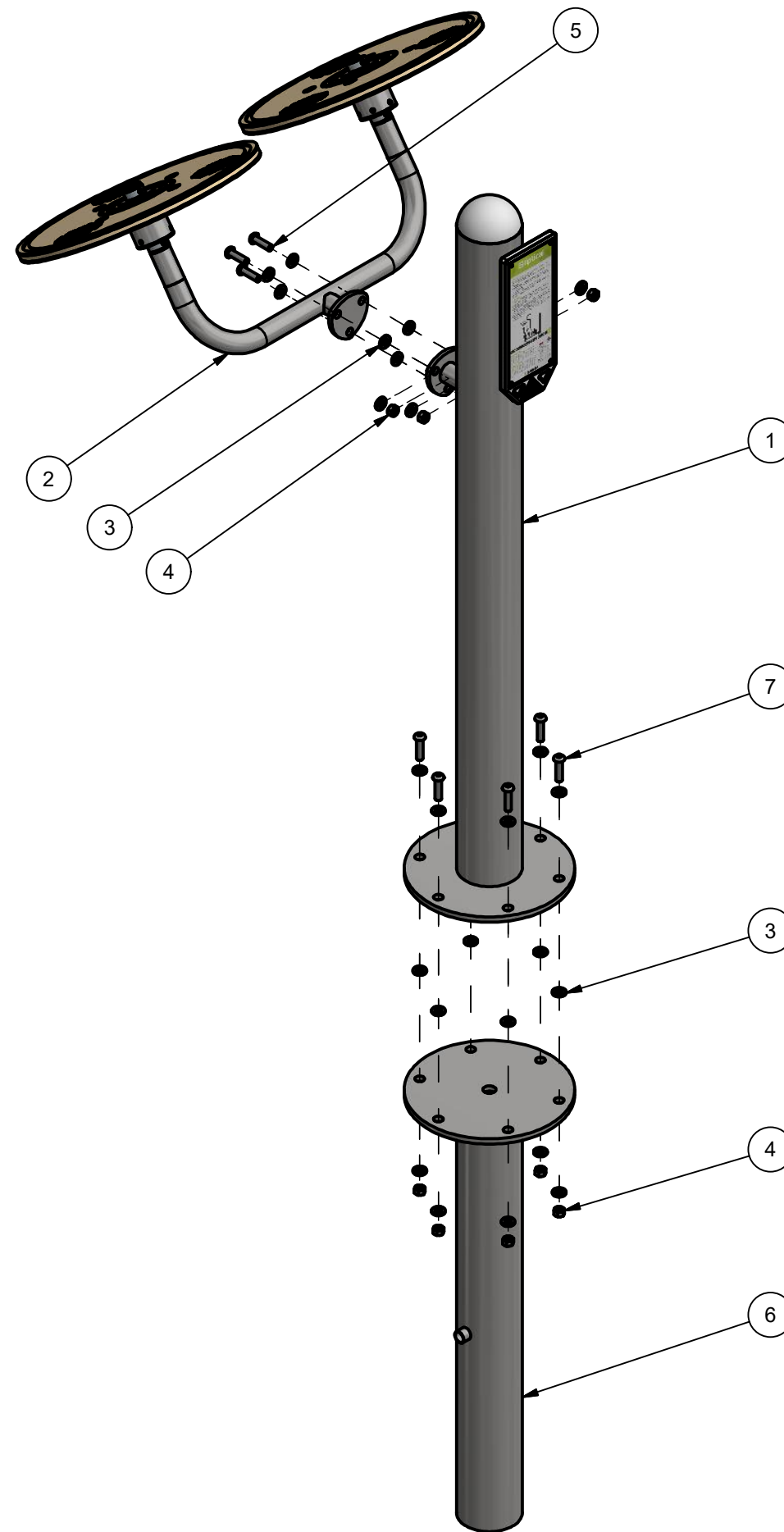
REVISED JAN. 2018

ALL DIMENSIONS ARE IN INCHES

SCALE 1:10

www.activefit.ca | 800-463-2361





Parts List

Item	Product Number	Product Name	QTY
1	PST-000023	ActiveFit Ø5" x 13 gauge x 5' Modular Post w/ Sign. Connector 44" from Grade.	1
2	MTL-000265	Taichi u shape pipe discs holder	1
3	FAS-000035	1/2" Galvanized Steel Structural Flat Washer	27
4	FAS-000034	1/2"-13 SS Hex Nut	9
5	FAS-000041	1/2"-13 x 1-3/4" ASTM F879 Hex Drive Grade 18-8 Stainless Steel Button Socket Cap Screw	3
6	FDN-000003	Concrete Post Extension (13" dia Plate w/ 5" Post)(No Gussets)	1
7	FAS-000033	1/2" x 13 x 2" SS Button Socket Cap Screw	6

INSTALLATION DRAWING

PRODUCT NAME: ActiveFit Tai Chi

PRODUCT NUMBER: FIT-000031

REVISED JAN. 2018

ALL DIMENSIONS ARE IN INCHES

SCALE 1:12

www.activefit.ca | 800-463-2361

