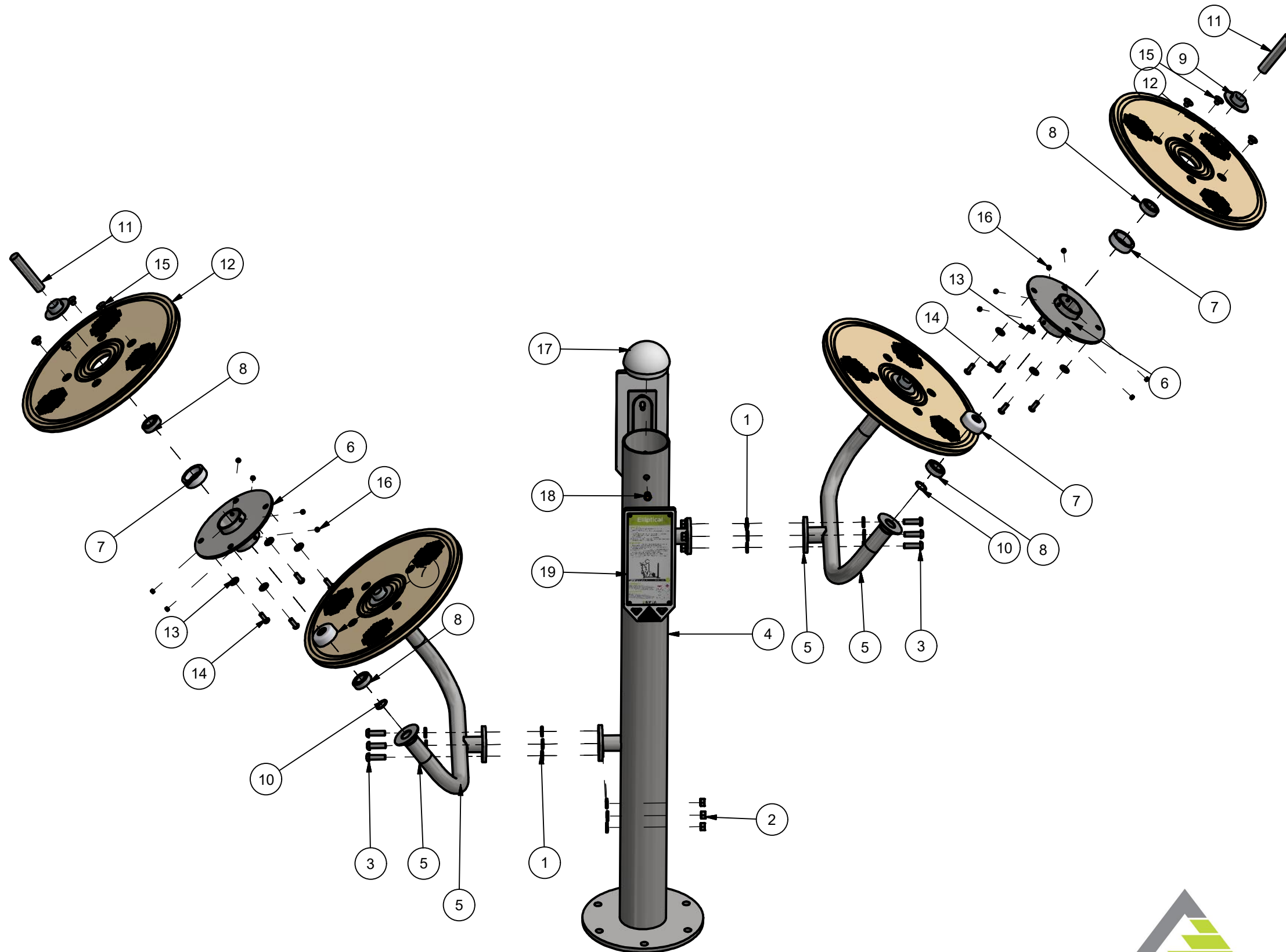


PLAN VIEW DRAWING	
PRODUCT NAME: ActiveFit Tai Chi Double	
PRODUCT NUMBER: FIT-000054	REVISED JAN. 2018
ALL DIMENSIONS ARE IN INCHES	SCALE 1 : 16
www.activefit.ca 800-463-2361	





Parts List

Item	Product Number	Product Name	QTY
1	FAS-000035	1/2" Galvanized Steel Structural Flat Washer	18
2	FAS-000034	1/2"-13 SS Hex Nut	6
3	FAS-000041	1/2"-13 x 1-3/4" ASTM F879 Hex Drive Grade 18-8 Stainless Steel Button Socket Cap Screw	6
4	MTL-000359	ActiveFit Ø5" x 13 gauge x 5' post w/ Tai Chi ADA Upper Body mount and 2 signs holes	1
5	MTL-000265	Taichi u shape pipe discs holder	2
6	MTL-000273	Ø3" pipe and Ø10" plate weldment	4
7	MCH-000084	Ø2.65 UHMW bearing housing for 6205RS16	8
8	MCH-000075	6205RS-16 Sealed Ball Bearings	8
9	MCH-000085	Ø1" set screw collar welded to 3" washer	4
10	PLM-000001	Ø1" Schedule 40 x 0.0625" PVC pipe	4
11	MCH-000086	Ø1" x 5" Shaft for Tai Chi/Upper Body wheel	4
12	PNL-000042	Ø20" Tai Chi wheel	4
13	FAS-000005	3/8" ID x 1" OD Flat SS Washer	16
14	FAS-000038	3/8"-16 X 1" : Six Lobe Bolt (TORX TAMPER RESISTANT Bolts)	16
15	FAS-000037	3/8" - 16 Round Base Tee Nut	16
16	FAS-000084	3/8"-16 x 1/4" Hex Drive Cup Point Grade 18-8 Stainless Steel Socket Set Screw	24
17	MTL-000010	5" Aluminium Post Cap	1
18	FAS-000001	3/8" Rivet Nut (17/32" OD)	4
19	SNG-000002	ActiveFit Sign	2

NOTE:
APPLY LOCKTITE TO BOLTS WHEN ASSEMBLING

ASSEMBLY DRAWING

PRODUCT NAME: ActiveFit Tai Chi Double

PRODUCT NUMBER: FIT-000054

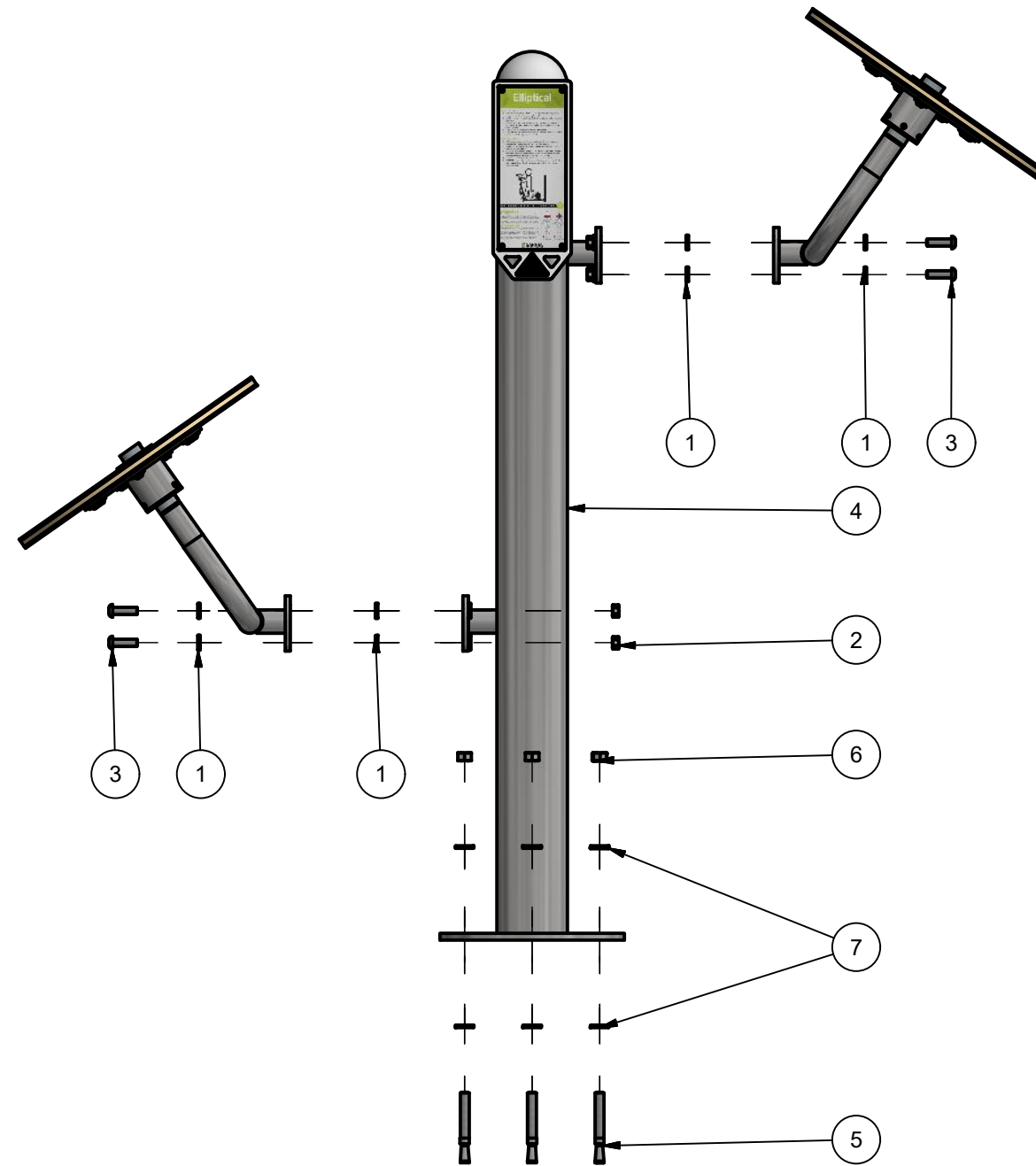
REVISED JAN. 2018

ALL DIMENSIONS ARE IN INCHES

SCALE 1 : 12

www.activefit.ca | 800-463-2361



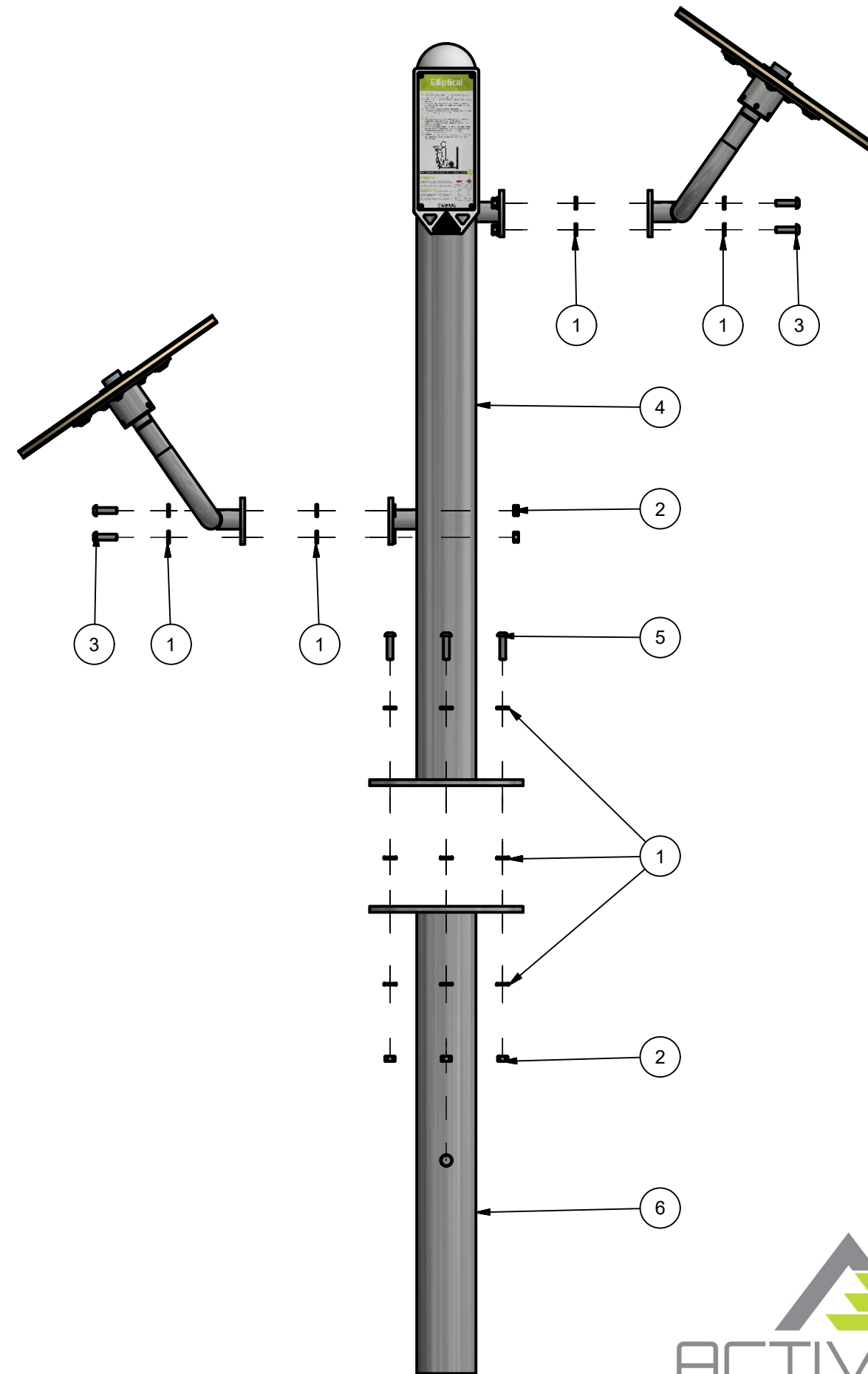


Parts List			
Item	Product Number	Product Name	QTY
1	FAS-000035	1/2" Galvanized Steel Structural Flat Washer	18
2	FAS-000034	1/2"-13 SS Hex Nut	6
3	FAS-000041	1/2"-13 x 1-3/4" ASTM F879 Hex Drive Grade 18-8 Stainless Steel Button Socket Cap Screw	6
4	MTL-000359	ActiveFit Ø5" x 13 gauge x 5' post w/ Tai Chi ADA Upper Body mount and 2 signs holes	1
5	FAS-000014	5/8" x 5" Trubolt® 316 S/S Wedge Anchor	6
6	FAS-000015	5/8"-11 18-8 SS Hex Nut	6
7	FAS-000013	5/8" ASTM F436 Structural Flat Washer	12

NOTE:
APPLY LOCKTITE TO BOLTS WHEN ASSEMBLING



INSTALLATION DRAWING	
PRODUCT NAME: ActiveFit Tai Chi Double	
PRODUCT NUMBER: FIT-000054	REVISED JAN. 2018
ALL DIMENSIONS ARE IN INCHES	SCALE 1 : 12
www.activefit.ca 800-463-2361	



Parts List			
Item	Product Number	Product Name	QTY
1	FAS-000035	1/2" Galvanized Steel Structural Flat Washer	36
2	FAS-000034	1/2"-13 SS Hex Nut	12
3	FAS-000041	1/2"-13 x 1-3/4" ASTM F879 Hex Drive Grade 18-8 Stainless Steel Button Socket Cap Screw	6
4	MTL-000359	ActiveFit Ø5" x 13 gauge x 5' post w/ Tai Chi ADA Upper Body mount and 2 signs holes	1
5	FAS-000033	1/2" x 13 x 2" SS Button Socket Cap Screw	6
6	FDN-000003	Concrete Post Extension (13" dia Plate w/ 5" Post)(No Gussets)	1

NOTE:
APPLY LOCKTITE TO BOLTS WHEN ASSEMBLING



INSTALLATION DRAWING	
PRODUCT NAME: ActiveFit Tai Chi Double	
PRODUCT NUMBER: FIT-000054	REVISED JAN. 2018
ALL DIMENSIONS ARE IN INCHES	SCALE 1 : 12
www.activefit.ca 800-463-2361	