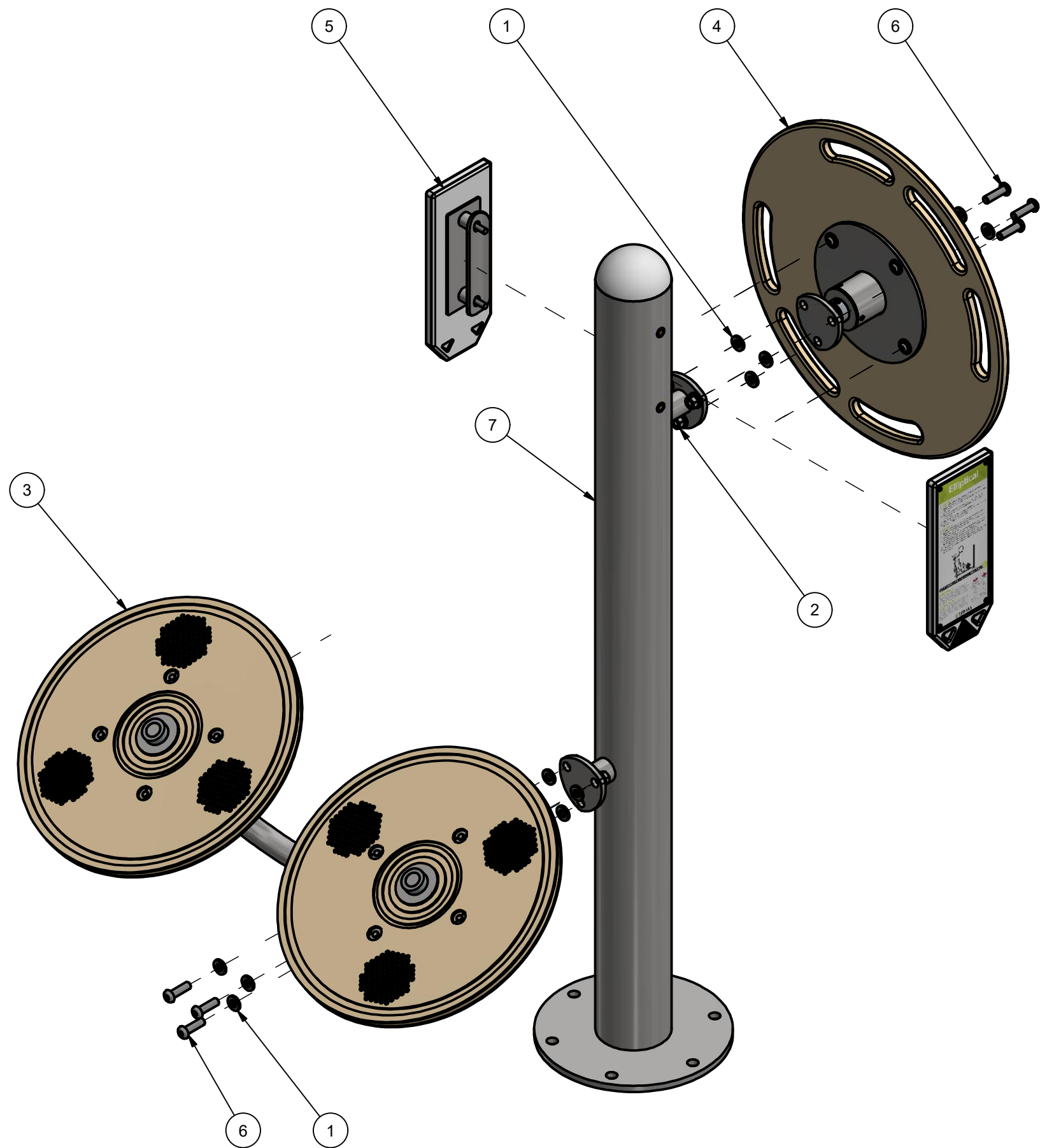


PLAN VIEW DRAWING	
PRODUCT NAME: ActiveFit Tai Chi (Accessible) Upper Body Stretcher	
PRODUCT NUMBER: FIT-000052	REVISED JAN. 2018
ALL DIMENSIONS ARE IN INCHES	SCALE 1 : 16
www.activefit.ca 800-463-2361	

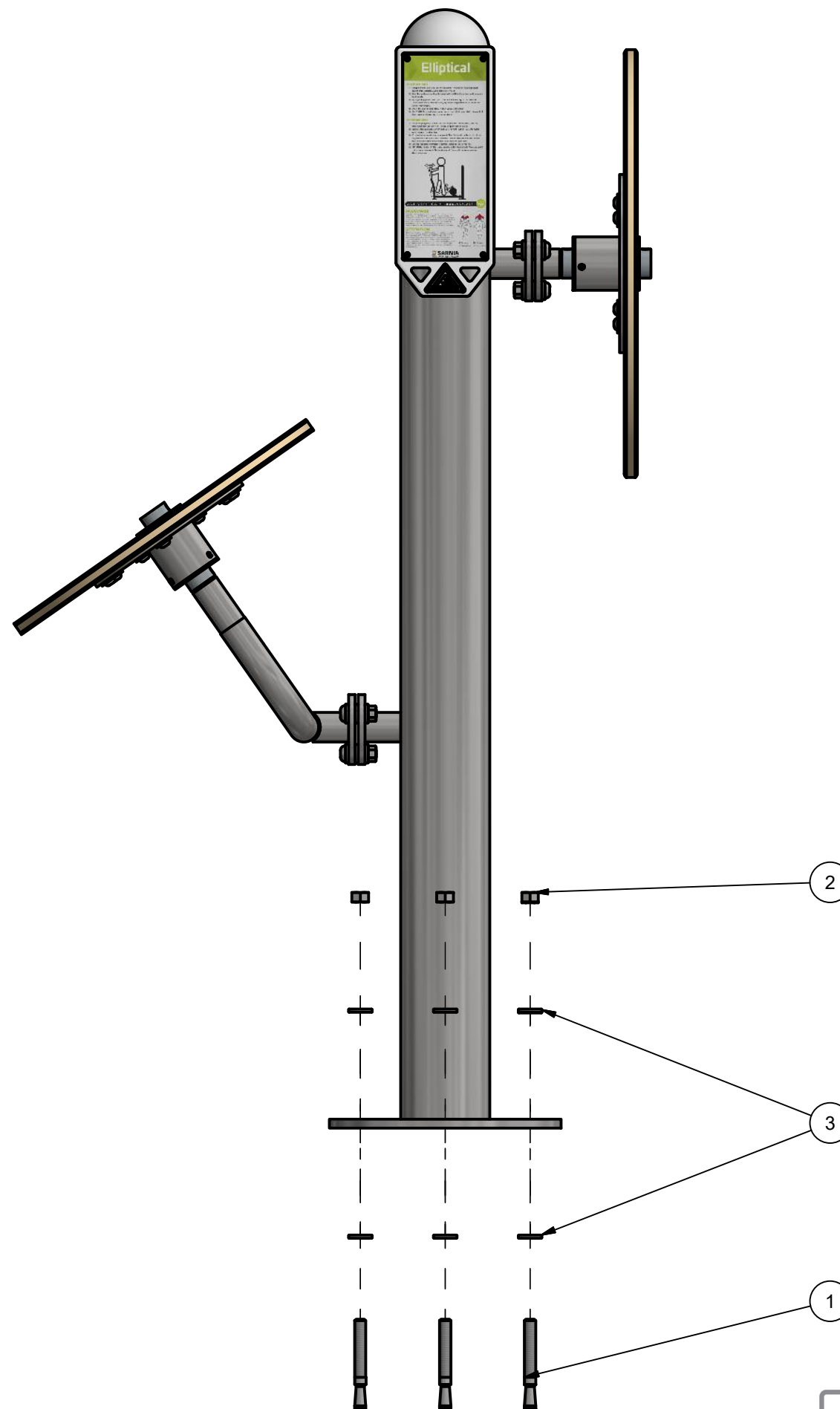


Parts List			
Item	Product Number	Product Name	QTY
1	FAS-000035	1/2" Galvanized Steel Structural Flat Washer	18
2	FAS-000034	1/2"-13 SS Hex Nut	6
3	PNL-000042	Ø20" Tai Chi wheel	2
4	PNL-000043	Ø24" Upper Body Stretcher wheel	1
5	SNG-000002	ActiveFit Sign	2
6	FAS-000041	1/2"-13 x 1-3/4" ASTM F879 Hex Drive Grade 18-8 Stainless Steel Button Socket Cap Screw	6
7	MTL-000359	ActiveFit Ø5" x 13 gauge x 5' post w/ Tai Chi ADA Upper Body mount and 2 signs holes	1

NOTE:
APPLY LOCKTITE TO BOLTS WHEN ASSEMBLING



ASSEMBLY DRAWING	
PRODUCT NAME: ActiveFit Tai Chi (Accessible) Upper Body Stretcher	
PRODUCT NUMBER: FIT-000052	REVISED JAN. 2018
ALL DIMENSIONS ARE IN INCHES	SCALE 1 : 8
www.activefit.ca 800-463-2361	

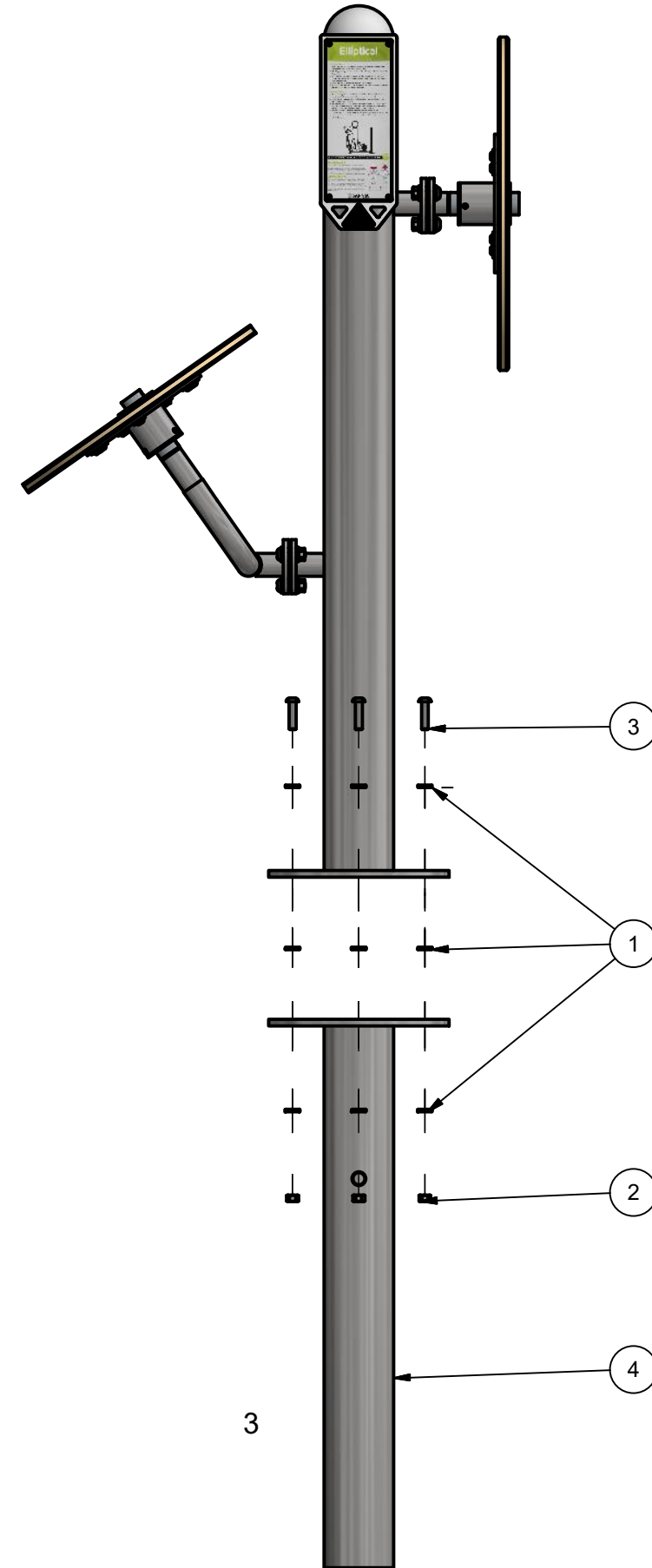


Parts List			
Item	Product Number	Product Name	QTY
1	FAS-000014	5/8" x 5" Trubolt® 316 S/S Wedge Anchor	6
2	FAS-000015	5/8"-11 18-8 SS Hex Nut	6
3	FAS-000013	5/8" ASTM F436 Structural Flat Washer	12

NOTE:
APPLY LOCKTITE TO BOLTS WHEN ASSEMBLING



INSTALLATION DRAWING	
PRODUCT NAME: ActiveFit Tai Chi (Accessible) Upper Body Stretcher	
PRODUCT NUMBER: FIT-000052	REVISED JAN. 2018
ALL DIMENSIONS ARE IN INCHES	SCALE 1 : 8
www.activefit.ca 800-463-2361	



Parts List			
Item	Product Number	Product Name	QTY
1	FAS-000035	1/2" Galvanized Steel Structural Flat Washer	36
2	FAS-000034	1/2"-13 SS Hex Nut	12
3	FAS-000033	1/2" x 13 x 2" SS Button Socket Cap Screw	6
4	FDN-000003	Concrete Post Extension (13" dia Plate w/ 5" Post)(No Gussets)	1

NOTE:
APPLY LOCKTITE TO BOLTS WHEN ASSEMBLING



INSTALLATION DRAWING	
PRODUCT NAME: ActiveFit Tai Chi (Accessible) Upper Body Stretcher	
PRODUCT NUMBER: FIT-000052	REVISED JAN. 2018
ALL DIMENSIONS ARE IN INCHES	SCALE 1 : 12
www.activefit.ca 800-463-2361	