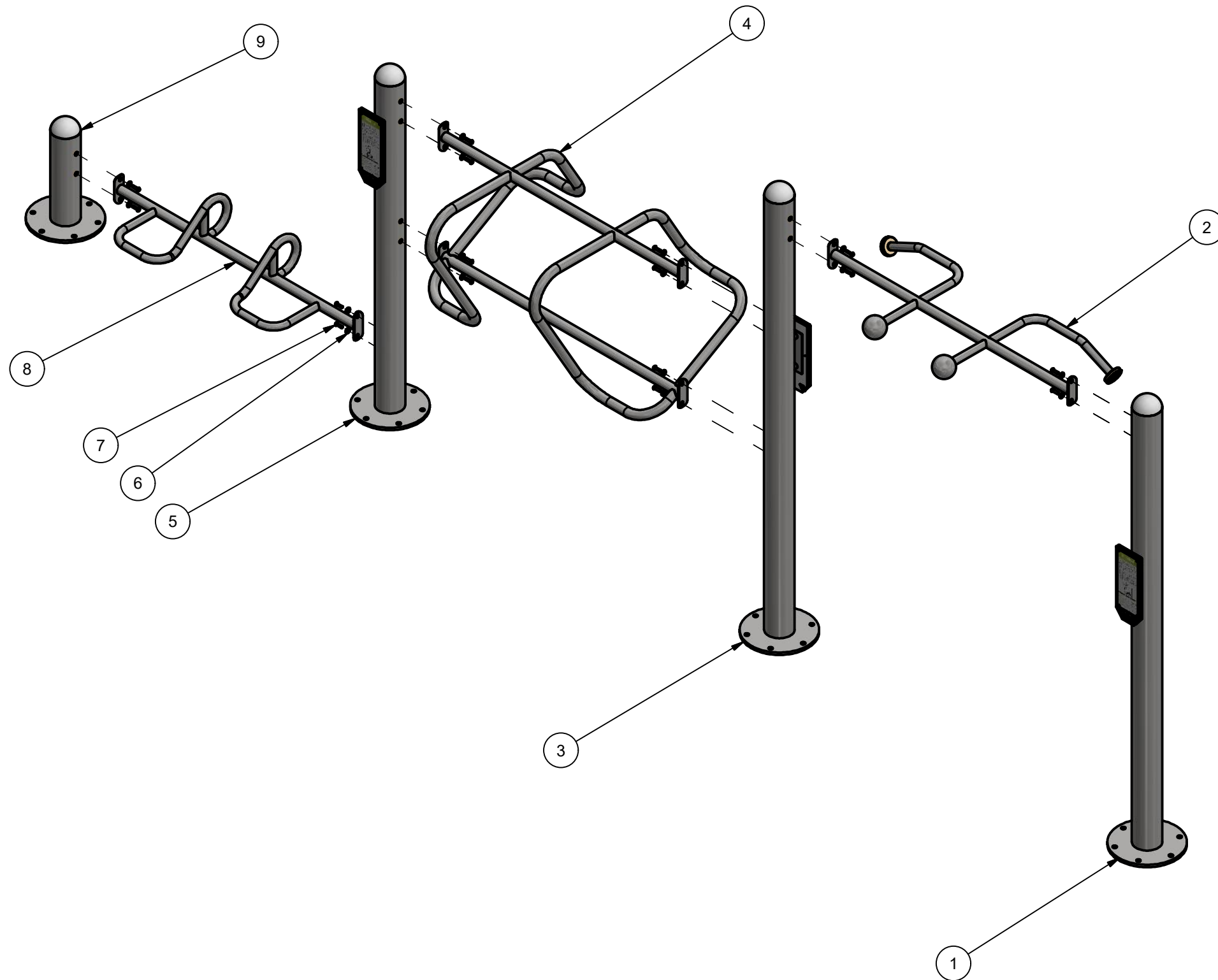


TRAINING ENVELOPE
 CLEARANCE SPACE

PLAN VIEW DRAWING	
PRODUCT NAME: ActiveFit Strength Training Circuit	
PRODUCT NUMBER: FIT-000020	REVISED AUG. 2018
ALL DIMENSIONS ARE IN INCHES	SCALE 1 : 24
www.activefit.ca 800-463-2361	



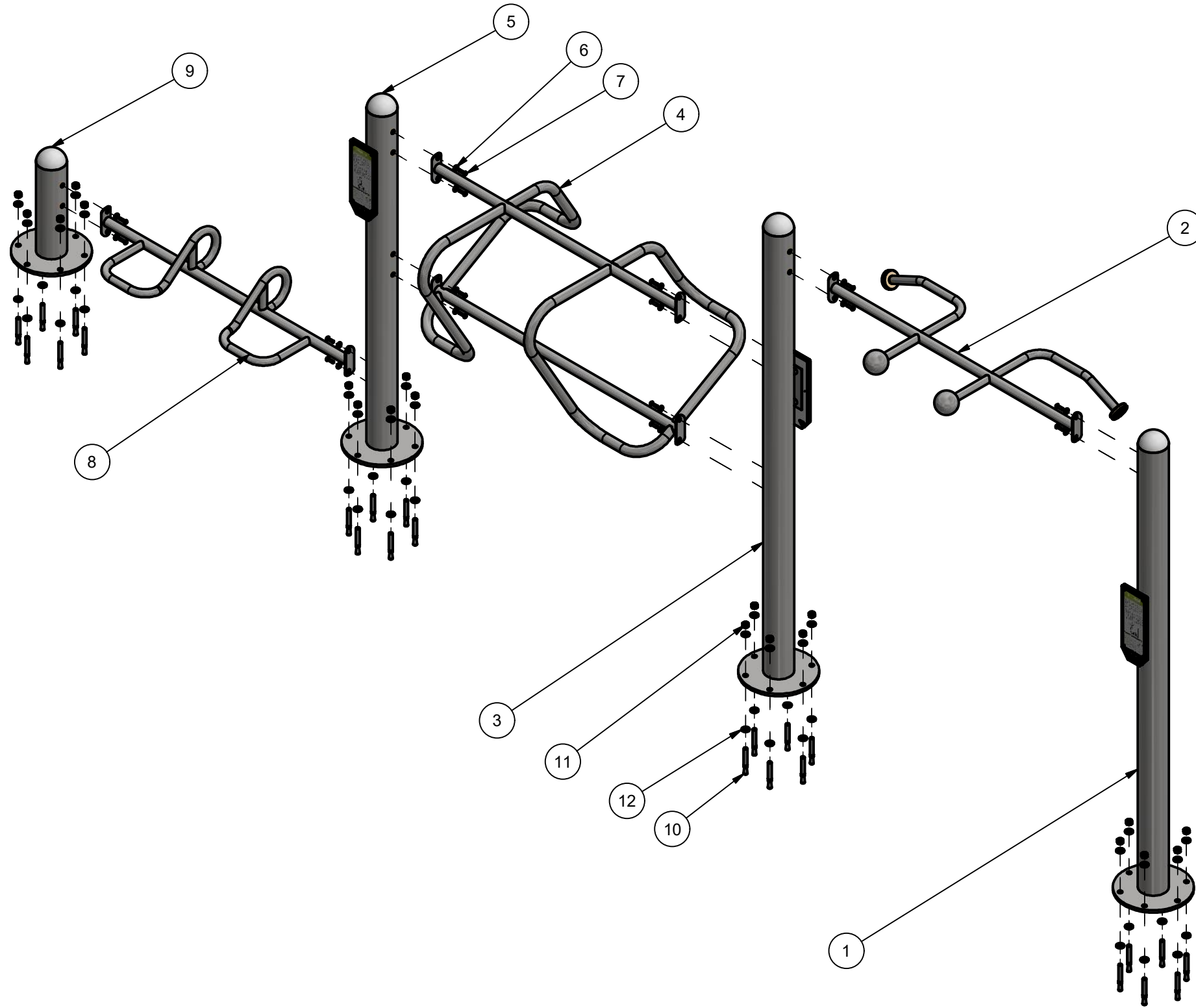


Parts List			
Item	Product Number	Product Name	QTY
1	PST-000001	ActiveFit Pull-Up Post. With Mounting Holes for Fitness Use Sign (Bar Height 82 inches)	1
2	MTL-000014	Multi-Grip Pull-up Bar	1
3	PST-000014	ActiveFit Pull-Up/Dip Post. With Mounting Holes for Fitness Use Sign (Bar Height 82 inches)	1
4	MTL-000177	Multi Position Dip Bar	1
5	PST-000022	ActiveFit Dip/Push-up Station Post w/ Use Sign Mounting Hole	1
6	FAS-000005	3/8" ID x 1" OD Flat SS Washer	16
7	FAS-000002	3/8"-16 X 1 1/4" : Six Lobe Bolt (TORX TAMPER RESISTANT Bolts)	16
8	MTL-000173	Multi-Grip push up bar	1
9	PST-000009	ActiveFit Push-Up Post	1

NOTE:
APPLY LOCKTITE TO BOLTS WHEN ASSEMBLING



ASSEMBLY DRAWING	
PRODUCT NAME: ActiveFit Multi-Position Push-up/Dip/Pull-up Station	
PRODUCT NUMBER: FIT-000020	REVISED JAN. 2018
ALL DIMENSIONS ARE IN INCHES	SCALE 1:20
www.activefit.ca 800-463-2361	

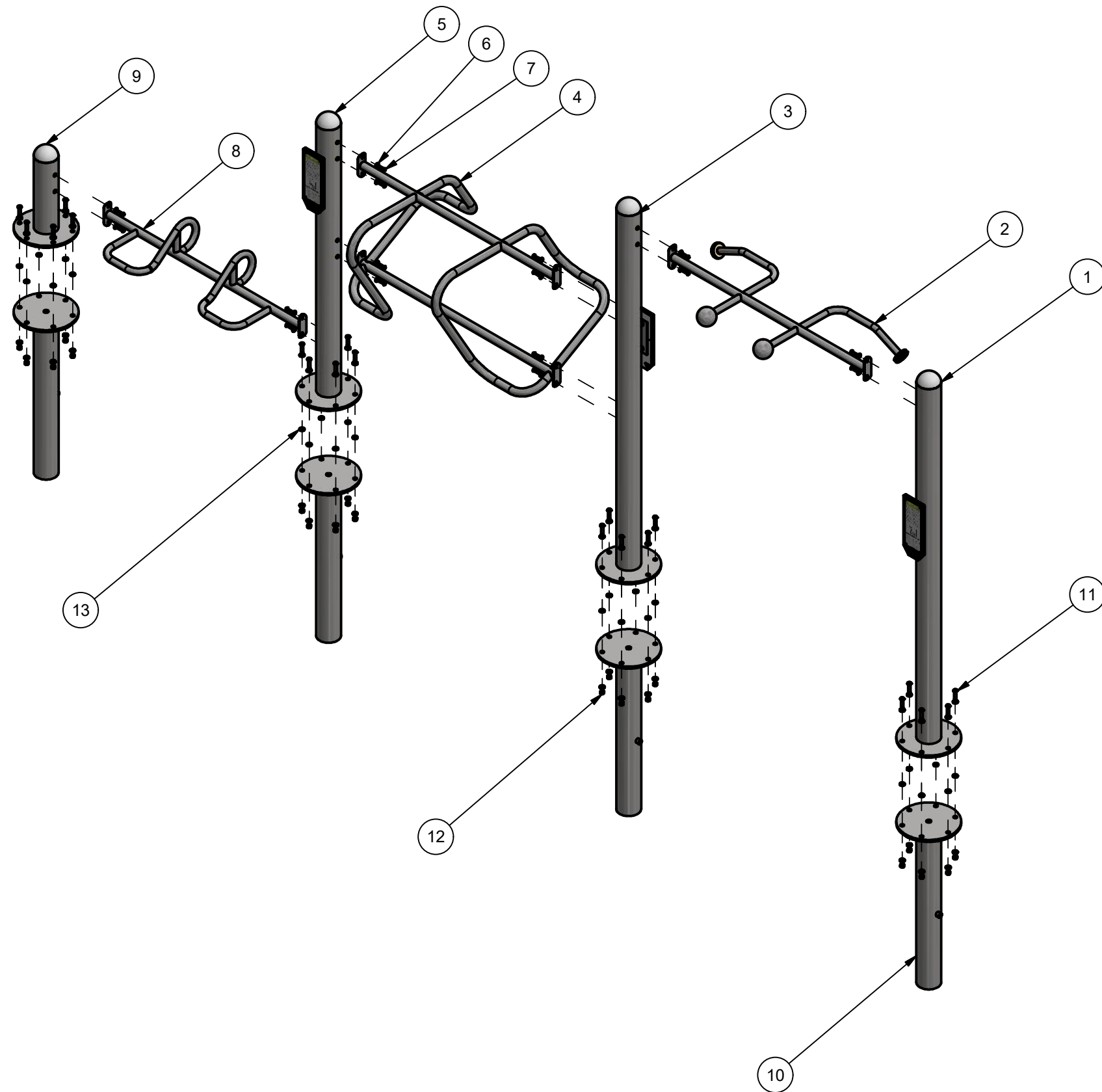


Parts List			
Item	Product Number	Product Name	QTY
1	PST-000001	ActiveFit Pull-Up Post. With Mounting Holes for Fitness Use Sign (Bar Height 82 inches)	1
2	MTL-000014	Multi-Grip Pull-up Bar	1
3	PST-000014	ActiveFit Pull-Up/Dip Post. With Mounting Holes for Fitness Use Sign (Bar Height 82 inches)	1
4	MTL-000177	Multi Position Dip Bar	1
5	PST-000022	ActiveFit Dip/-push-up Station Post w/ Use Sign Mounting Hole	1
6	FAS-000005	3/8" ID x 1" OD Flat SS Washer	16
7	FAS-000002	3/8"-16 X 1 1/4" : Six Lobe Bolt (TORX TAMPER RESISTANT Bolts)	16
8	MTL-000173	Multi-Grip push up bar	1
9	PST-000009	ActiveFit Push-Up Post	1
10	FAS-000014	5/8" x 5" Trubolt® 316 S/S Wedge Anchor	24
11	FAS-000015	5/8"-11 18-8 SS Hex Nut	24
12	FAS-000013	5/8" ASTM F436 Structural Flat Washer	48

NOTE:
APPLY LOCKTITE TO BOLTS WHEN ASSEMBLING



INSTALLATION DRAWING	
PRODUCT NAME: ActiveFit Multi-Position Push-up/Dip/Pull-up Station	
PRODUCT NUMBER: FIT-000020	REVISED JAN. 2018
ALL DIMENSIONS ARE IN INCHES	SCALE 1:20
www.activefit.ca 800-463-2361	



Parts List			
Item	Product Number	Product Name	QTY
1	PST-000001	ActiveFit Pull-Up Post. With Mounting Holes for Fitness Use Sign (Bar Height 82 inches)	1
2	MTL-000014	Multi-Grip Pull-up Bar	1
3	PST-000014	ActiveFit Pull-Up/Dip Post. With Mounting Holes for Fitness Use Sign (Bar Height 82 inches)	1
4	MTL-000177	Multi Position Dip Bar	1
5	PST-000022	ActiveFit Dip/Push-up Station Post w/ Use Sign Mounting Hole	1
6	FAS-000005	3/8" ID x 1" OD Flat SS Washer	16
7	FAS-000002	3/8"-16 X 1 1/4" : Six Lobe Bolt (TORX TAMPER RESISTANT Bolts)	16
8	MTL-000173	Multi-Grip push up bar	1
9	PST-000009	ActiveFit Push-Up Post	1
10	FDN-000003	Concrete Post Extension (13" dia Plate w/ 5" Post)(No Gussets)	4
11	FAS-000033	1/2" x 13 x 2" SS Button Socket Cap Screw	24
12	FAS-000034	1/2"-13 SS Hex Nut	24
13	FAS-000035	1/2" Galvanized Steel Structural Flat Washer	72

NOTE:
APPLY LOCKTITE TO BOLTS WHEN ASSEMBLING



INSTALLATION DRAWING	
PRODUCT NAME: ActiveFit Multi-Position Push-up/Dip/Pull-up Station	
PRODUCT NUMBER: FIT-000020	REVISED JAN. 2018
ALL DIMENSIONS ARE IN INCHES	SCALE 1:25
www.activefit.ca 800-463-2361	