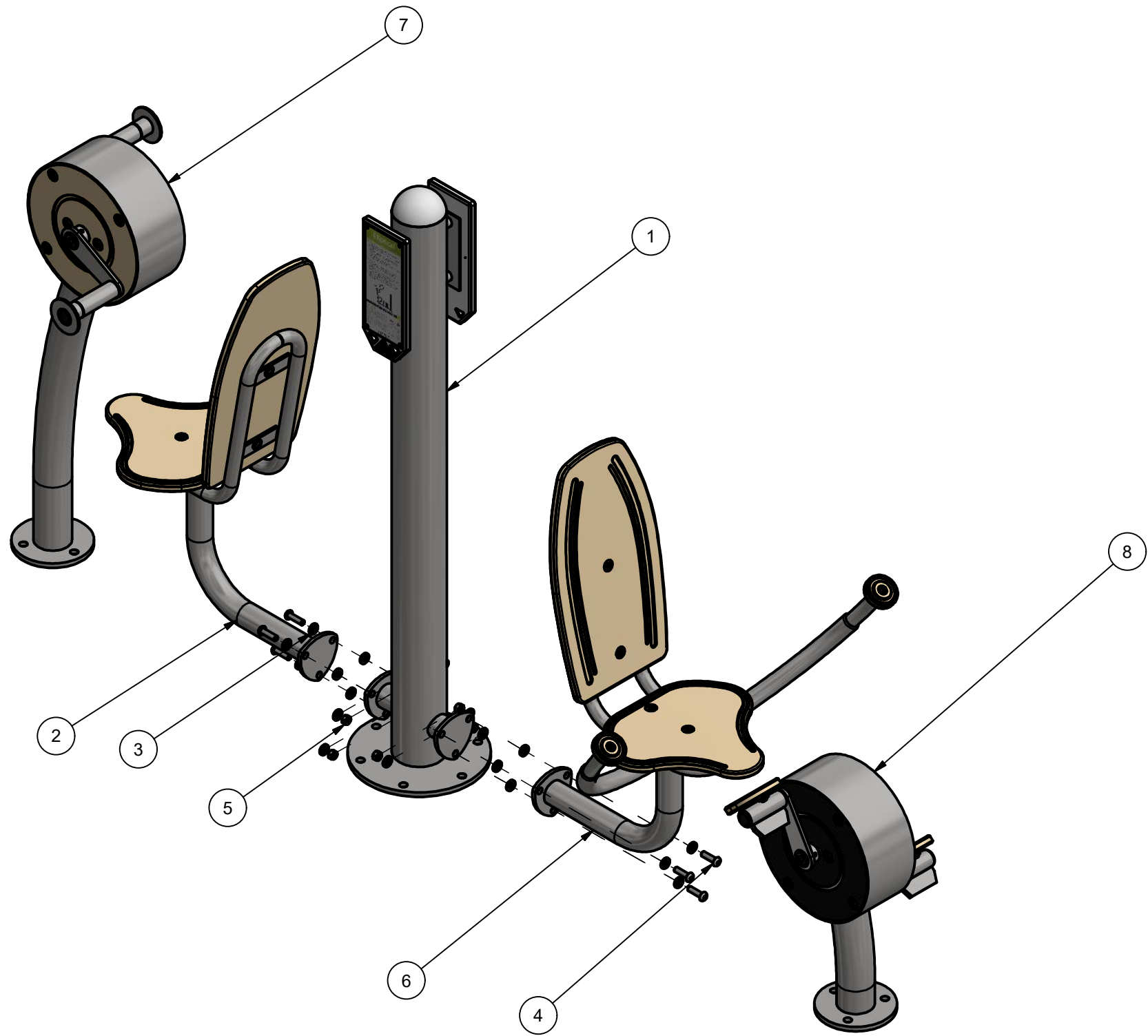


PLAN VIEW DRAWING	
PRODUCT NAME: ActiveFit Hand Bike Recumbent Bike Combo	
PRODUCT NUMBER: FIT-000049	REVISED JAN. 2018
ALL DIMENSIONS ARE IN INCHES	SCALE 1 : 16
<a href="http://www.activefit.ca">www.activefit.ca</a>   800-463-2361	

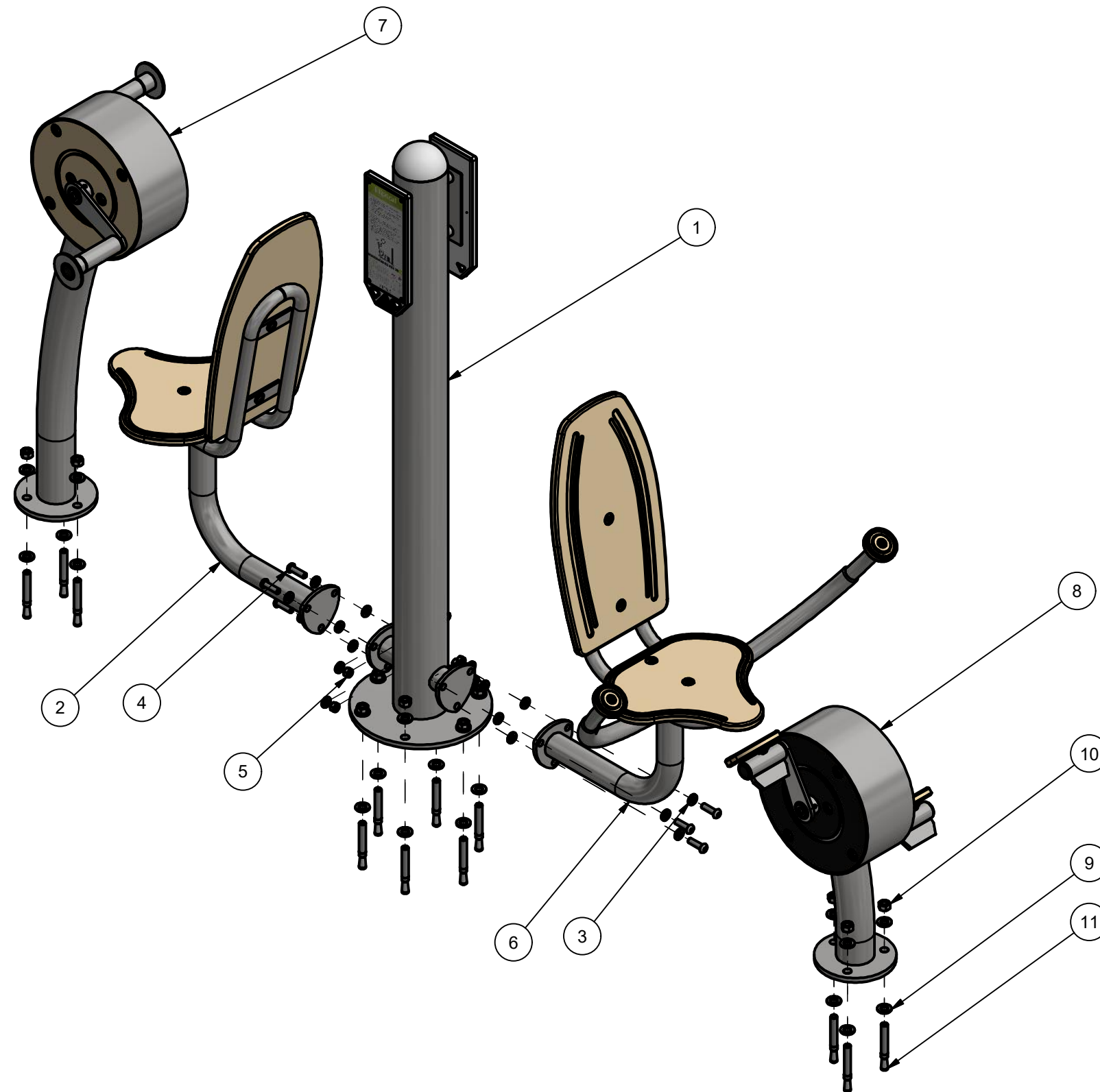


Parts List			
Item	Product Number	Product Name	QTY
1	PST-000036	ActiveFit bikes combo post (hand bike, recumbent bike) Ø5" x 13 gauge x 60"	1
2	MTL-000118	ActiveFit Standalone Seat	1
3	FAS-000035	1/2" Galvanized Steel Structural Flat Washer	18
4	FAS-000041	1/2"-13 x 1-3/4" ASTM F879 Hex Drive Grade 18-8 Stainless Steel Button Socket Cap Screw	6
5	FAS-000034	1/2"-13 SS Hex Nut	6
6	MTL-000121	ActiveFit Standalone Seat w/ Handles	1
7	FIT-000008	ActiveFit Hand Bike	1
8	FIT-000011	ActiveFit Bike	1

NOTE:  
APPLY LOCKTITE TO BOLTS WHEN ASSEMBLING



ASSEMBLY DRAWING	
PRODUCT NAME: ActiveFit Hand Bike Recumbent Bike Combo	
PRODUCT NUMBER: FIT-000049	REVISED JAN. 2018
ALL DIMENSIONS ARE IN INCHES	SCALE 1:12
<a href="http://www.activefit.ca">www.activefit.ca</a>   800-463-2361	

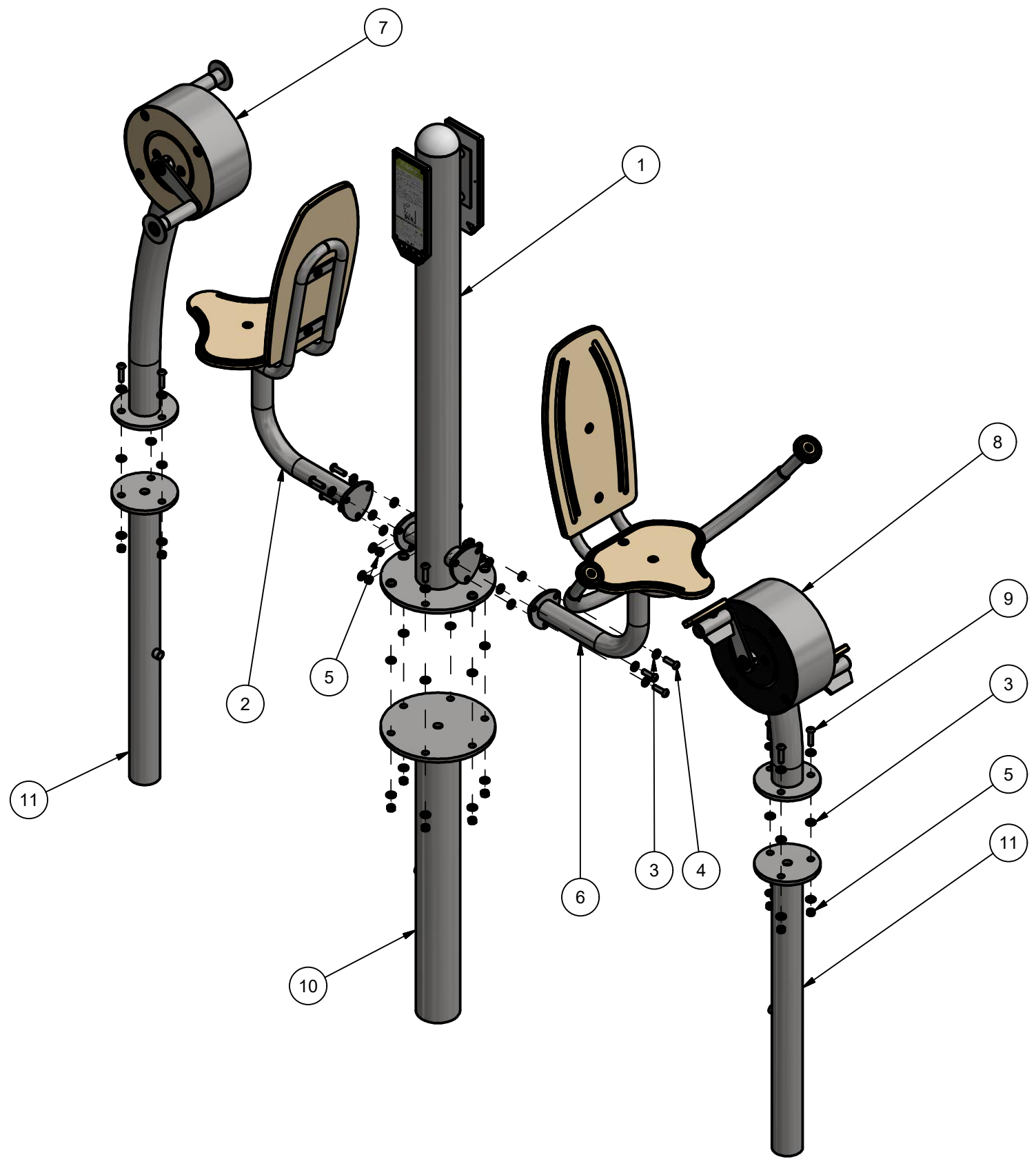


Parts List			
Item	Product Number	Product Name	QTY
1	PST-000036	ActiveFit bikes combo post (hand bike, recumbent bike) Ø5" x 13 gauge x 60"	1
2	MTL-000118	ActiveFit Standalone Seat	1
3	FAS-000035	1/2" Galvanized Steel Structural Flat Washer	18
4	FAS-000041	1/2"-13 x 1-3/4" ASTM F879 Hex Drive Grade 18-8 Stainless Steel Button Socket Cap Screw	6
5	FAS-000034	1/2"-13 SS Hex Nut	6
6	MTL-000121	ActiveFit Standalone Seat w/ Handles	1
7	FIT-000008	ActiveFit Hand Bike	1
8	FIT-000011	ActiveFit Bike	1
9	FAS-000013	5/8" ASTM F436 Structural Flat Washer	24
10	FAS-000015	5/8"-11 18-8 SS Hex Nut	12
11	FAS-000014	5/8" x 5" Trubolt® Wedge Anchor	12

NOTE:  
APPLY LOCKTITE TO BOLTS WHEN ASSEMBLING



INSTALLATION DRAWING	
PRODUCT NAME: ActiveFit Hand Bike Recumbent Bike Combo	
PRODUCT NUMBER: FIT-000049	REVISED JAN. 2018
ALL DIMENSIONS ARE IN INCHES	SCALE 1:12
<a href="http://www.activefit.ca">www.activefit.ca</a>   800-463-2361	



Parts List			
Item	Product Number	Product Name	QTY
1	PST-000036	ActiveFit bikes combo post (hand bike, recumbent bike) Ø5" x 13 gauge x 60"	1
2	MTL-000118	ActiveFit Standalone Seat	1
3	FAS-000035	1/2" Galvanized Steel Structural Flat Washer	54
4	FAS-000041	1/2"-13 x 1-3/4" ASTM F879 Hex Drive Grade 18-8 Stainless Steel Button Socket Cap Screw	6
5	FAS-000034	1/2"-13 SS Hex Nut	18
6	MTL-000121	ActiveFit Standalone Seat w/ Handles	1
7	FIT-000008	ActiveFit Hand Bike	1
8	FIT-000011	ActiveFit Bike	1
9	FAS-000033	1/2" x 13 x 2" SS Button Socket Cap Screw	12
10	FDN-000003	Concrete Post Extension (13" dia Plate w/ 5" Post)(No Gussets)	1
11	FDN-000004	Concrete Post Extension (7 1/2" dia Plate w/ 3 1/2" Post)(No Gussets)	2

NOTE:  
APPLY LOCKTITE TO BOLTS WHEN ASSEMBLING



INSTALLATION DRAWING	
PRODUCT NAME: ActiveFit Hand Bike Recumbent Bike Combo	
PRODUCT NUMBER: FIT-000049	REVISED JAN. 2018
ALL DIMENSIONS ARE IN INCHES	SCALE 1:15
<a href="http://www.activefit.ca">www.activefit.ca</a>   800-463-2361	