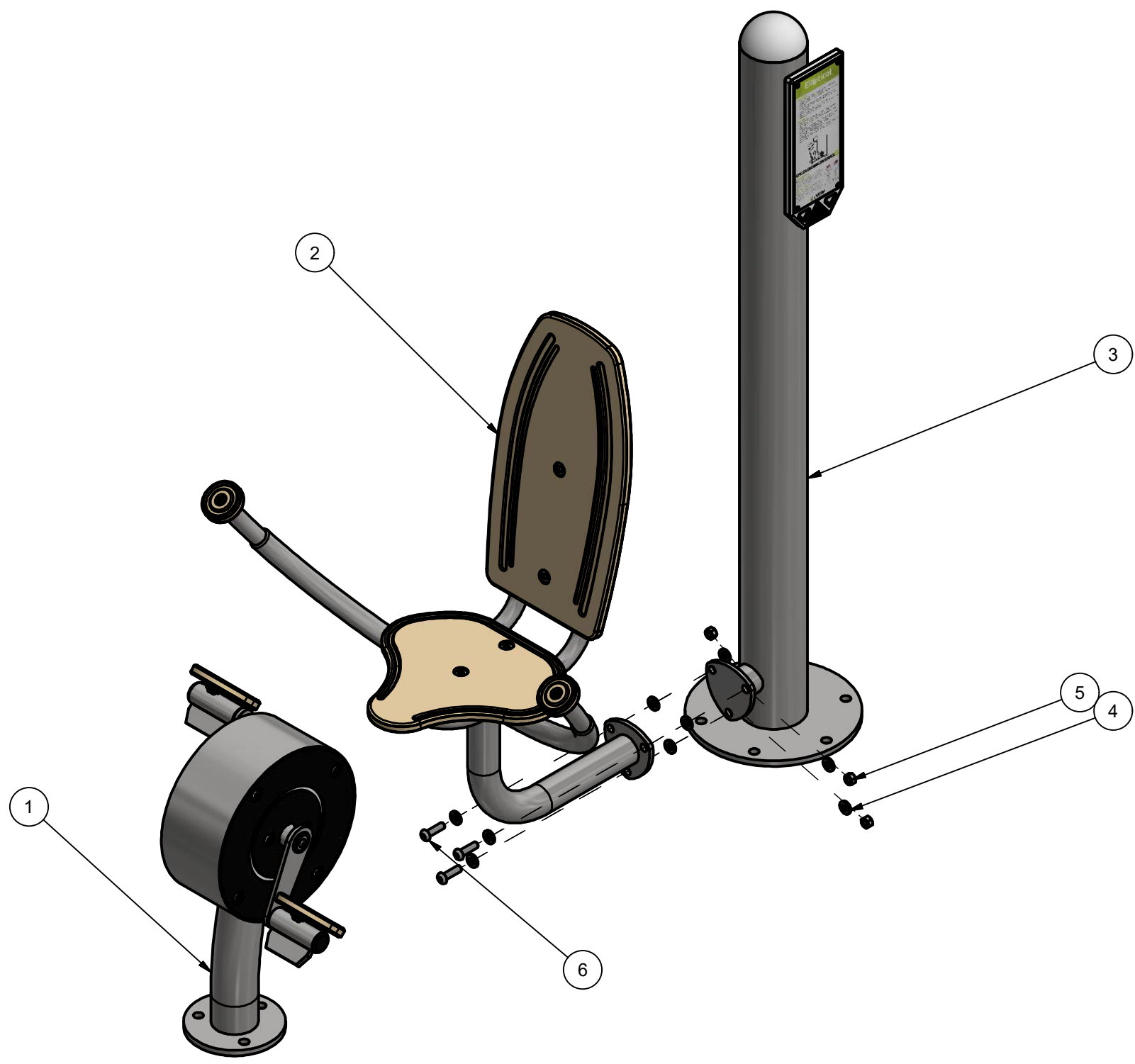


PLAN VIEW DRAWING	
PRODUCT NAME: ActiveFit Recumbent Bike	
PRODUCT NUMBER: FIT-000012	REVISED JAN. 2018
ALL DIMENSIONS ARE IN INCHES	SCALE 1 : 16
www.activefit.ca 800-463-2361	

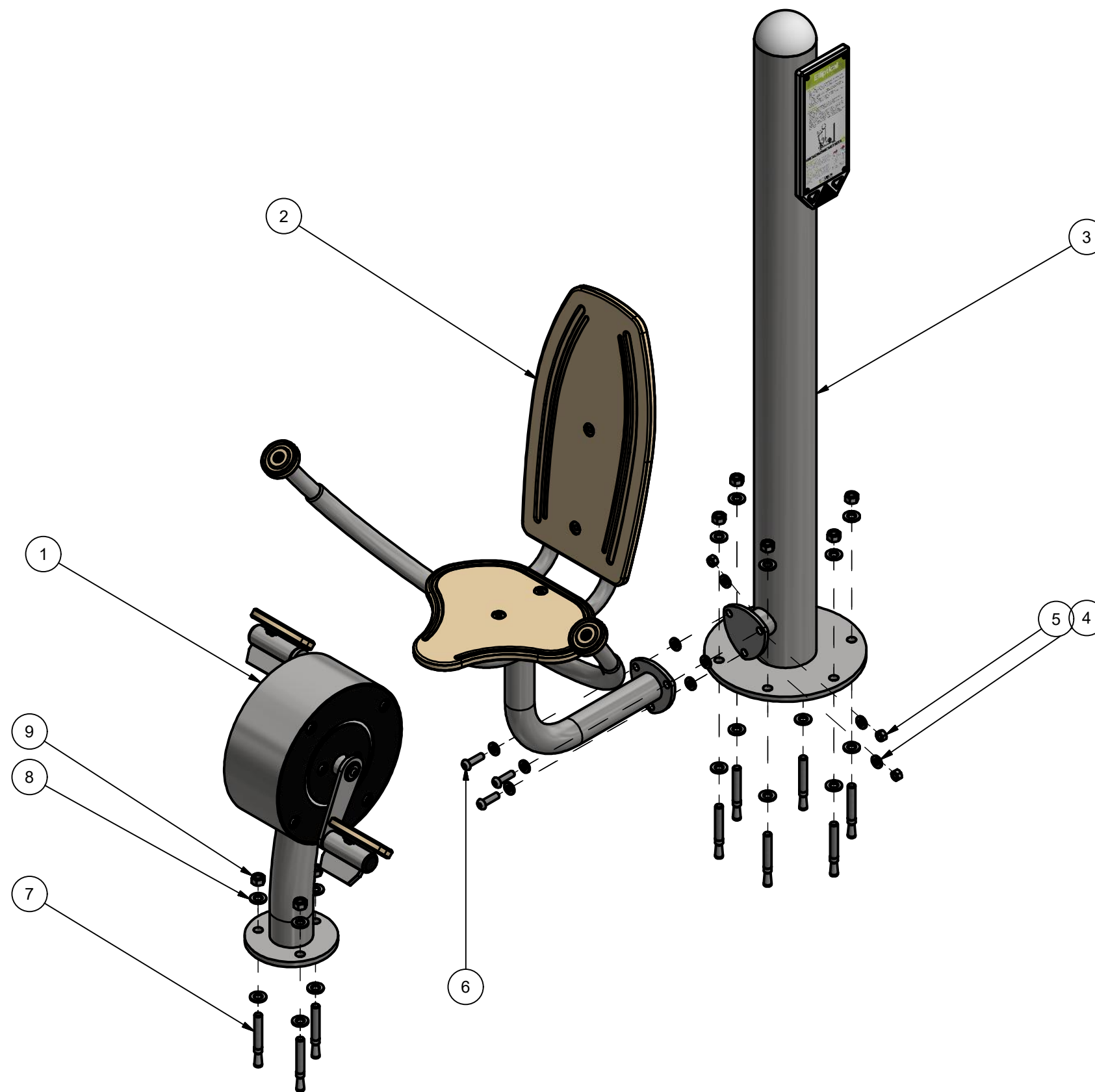


Parts List			
Item	Product Number	Product Name	QTY
1	FIT-000011	ActiveFit Bike	1
2	FIT-000013	ActiveFit Universal Standalone Seat w/ Handles	1
3	PST-000006	ActiveFit Ø5" x 13 gauge x 5' Modular Post w/ Sign. Connector 1 1/2" from Grade.	1
4	FAS-000035	1/2" ASTM F436 Type 1 Mechanical Galvanized Steel Structural Flat Washer	9
5	FAS-000034	1/2"-13 18-8 SS Grade A Finished Hex Nut	3
6	FAS-000041	1/2"-13 x 1-3/4" ASTM F879 Hex Drive Grade 18-8 Stainless Steel Button Socket Cap Screw	3

NOTE:
APPLY LOCKTITE TO BOLTS WHEN ASSEMBLING



ASSEMBLY DRAWING	
PRODUCT NAME: ActiveFit Recumbent Bike	
PRODUCT NUMBER: FIT-000012	REVISED JAN. 2018
ALL DIMENSIONS ARE IN INCHES	SCALE 1:10
www.activefit.ca 800-463-2361	

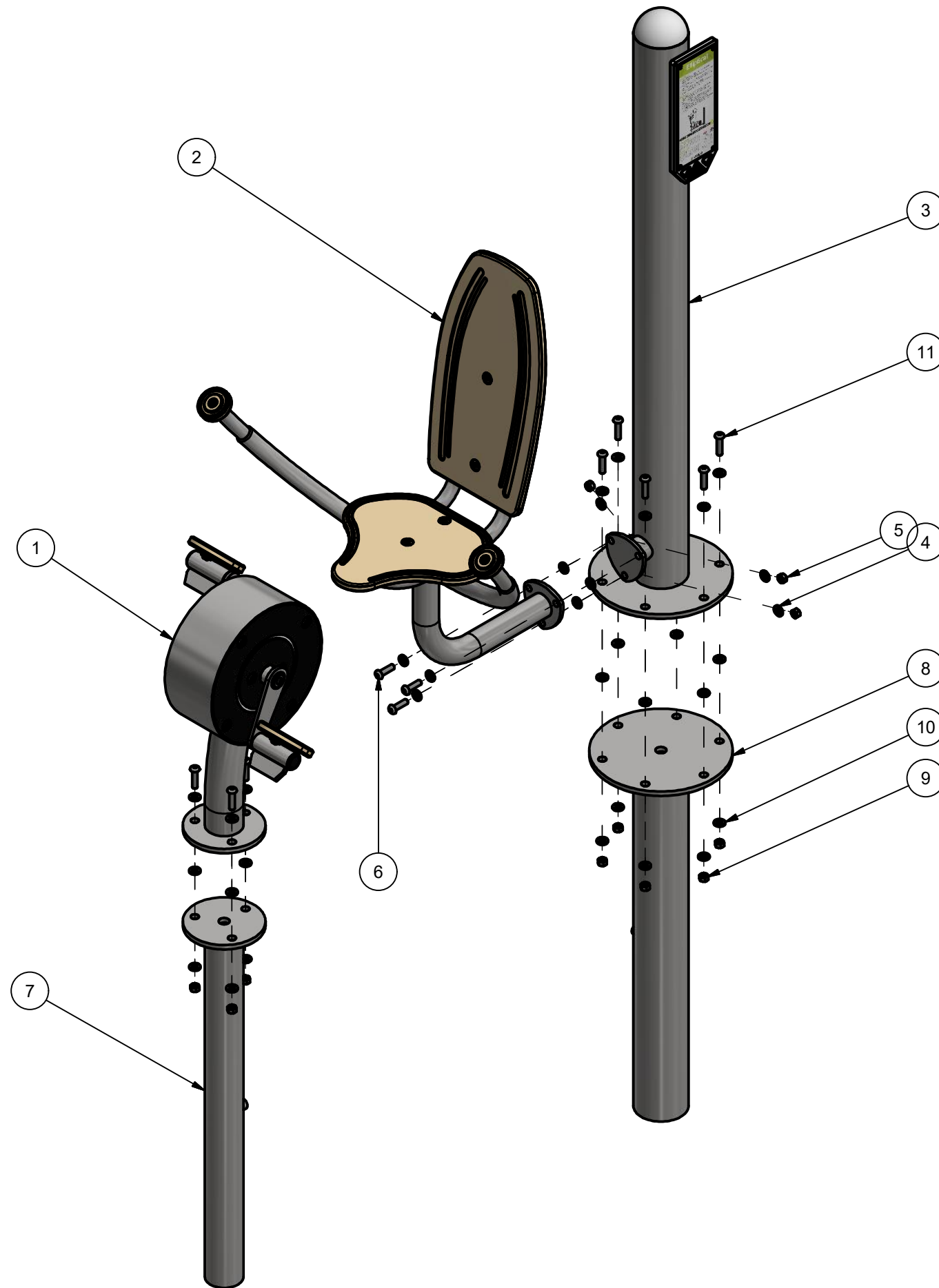


Parts List			
Item	Product Number	Product Name	QTY
1	FIT-000011	ActiveFit Bike	1
2	FIT-000013	ActiveFit Universal Standalone Seat w/ Handles	1
3	PST-000006	ActiveFit Ø5" x 13 gauge x 5' Modular Post w/ Sign. Connector 1 1/2" from Grade.	1
4	FAS-000035	1/2" ASTM F436 Type 1 Mechanical Galvanized Steel Structural Flat Washer	9
5	FAS-000034	1/2"-13 18-8 SS Grade A Finished Hex Nut	3
6	FAS-000041	1/2"-13 x 1-3/4" ASTM F879 Hex Drive Grade 18-8 Stainless Steel Button Socket Cap Screw	3
7	FAS-000014	Concrete Post Extension (7 1/2" dia Plate w/ 3 1/2" Post)(No Gussets)	9
8	FAS-000013	5/8" ASTM F436 Structural Flat Washer	18
9	FAS-000015	5/8"-11 18-8 SS Hex Nut	9

NOTE:
APPLY LOCKTITE TO BOLTS WHEN ASSEMBLING



INSTALLATION DRAWING	
PRODUCT NAME: ActiveFit Recumbent Bike	
PRODUCT NUMBER: FIT-000012	REVISED JAN. 2018
ALL DIMENSIONS ARE IN INCHES	SCALE 1:10
www.activefit.ca 800-463-2361	



Parts List			
Item	Product Number	Product Name	QTY
1	FIT-000011	ActiveFit Bike	1
2	FIT-000013	ActiveFit Universal Standalone Seat w/ Handles	1
3	PST-000006	ActiveFit Ø5" x 13 gauge x 5' Modular Post w/ Sign. Connector 1 1/2" from Grade.	1
4	FAS-000035	1/2" ASTM F436 Type 1 Mechanical Galvanized Steel Structural Flat Washer	9
5	FAS-000034	1/2"-13 18-8 SS Grade A Finished Hex Nut	3
6	FAS-000041	1/2"-13 x 1-3/4" ASTM F879 Hex Drive Grade 18-8 Stainless Steel Button Socket Cap Screw	3
7	FDN-000004	Concrete Post Extension (7 1/2" dia Plate w/ 3 1/2" Post)(No Gussets)	1
8	FDN-000003	Concrete Post Extension (13" dia Plate w/ 5" Post)(No Gussets)	1
9	FAS-000034	1/2"-13 SS Hex Nut	9
10	FAS-000035	1/2" Galvanized Steel Structural Flat Washer	27
11	FAS-000033	1/2" x 13 x 2" SS Button Socket Cap Screw	9

NOTE:
APPLY LOCKTITE TO BOLTS WHEN ASSEMBLING



INSTALLATION DRAWING	
PRODUCT NAME: ActiveFit Recumbent Bike	
PRODUCT NUMBER: FIT-000012	REVISED JAN. 2018
ALL DIMENSIONS ARE IN INCHES	SCALE 1:12
www.activefit.ca 800-463-2361	