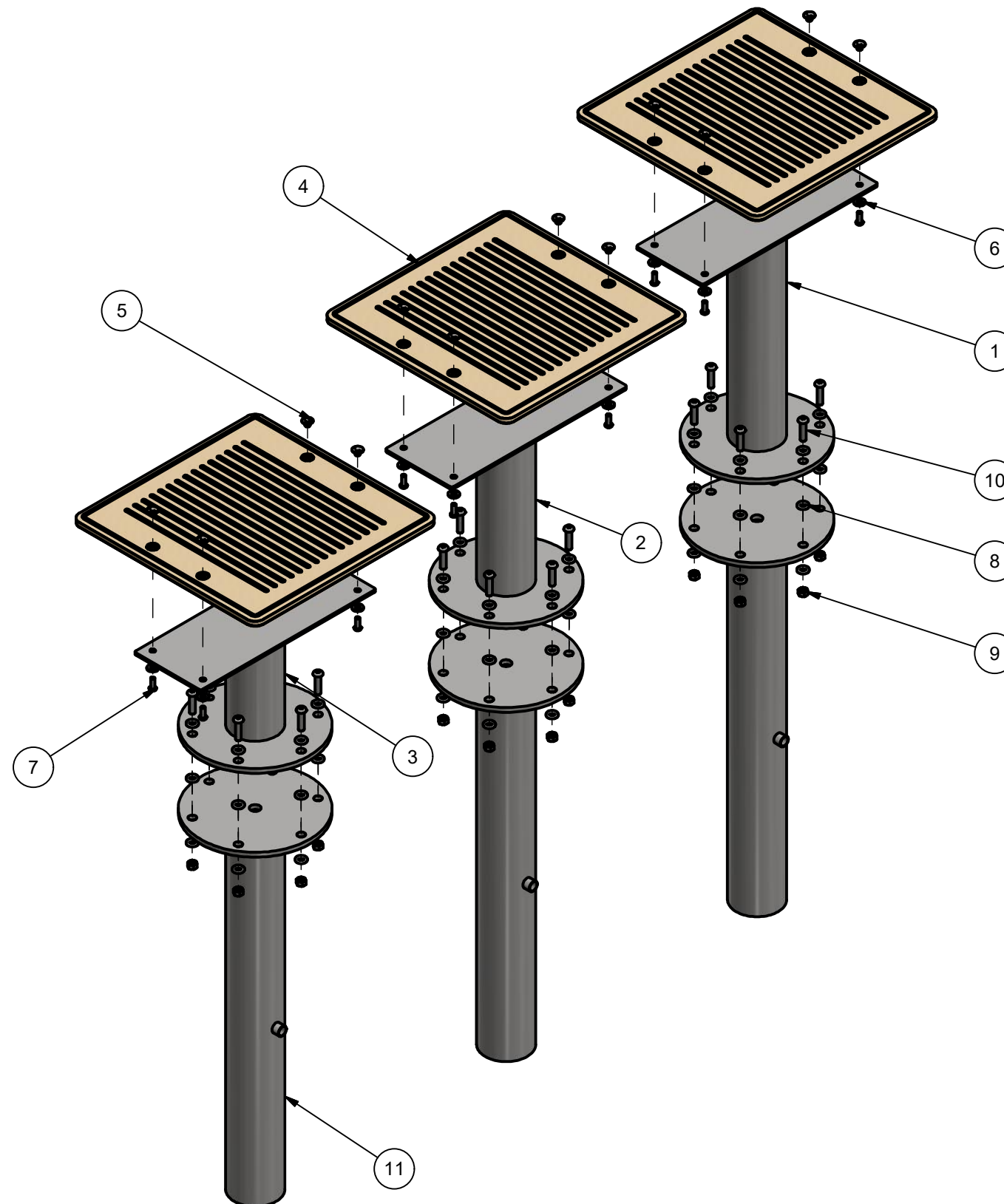


PLAN VIEW DRAWING	
PRODUCT NAME: ActiveFit Plyometric Steps	
PRODUCT NUMBER: FIT-000027	REVISED JAN. 2018
ALL DIMENSIONS ARE IN INCHES	SCALE 1 : 24
www.activefit.ca 800-463-2361	



Parts List

Item	Product Number	Product Name	QTY
1	MTL-000248	Plyometric Step Weldment Height 24"	1
2	MTL-000247	Plyometric Step Weldment Height 18"	1
3	MTL-000246	Plyometric Step Weldment Height 12"	1
4	PNL-000041	Plyometric Step Panel	3
5	FAS-000037	3/8" - 16 Round Base Tee Nut	12
6	FAS-000005	3/8" ID x 1" OD Flat SS Washer	12
7	FAS-000038	3/8"-16 X 1" : Six Lobe Bolt (TORX TAMPER RESISTANT Bolts)	12
8	FAS-000035	1/2" Galvanized Steel Structural Flat Washer	63
9	FAS-000034	1/2"-13 SS Hex Nut	21
10	FAS-000033	1/2" x 13 x 2" SS Button Socket Cap Screw	21
11	FDN-000003	Concrete Post Extension (13" dia Plate w/ 5" Post)(No Gussets)	3
4	PST-000027	ActiveFit Ø3.5" Stand Alone Sign Post	1
16	FDN-000004	Concrete Post Extension (7 1/2" dia Plate w/ 3 1/2" Post)(No Gussets)	1

MANUFACTURING NOTES:

APPLY LOCKTITE WHEN ASSEMBLING

INSTALLATION DRAWING

PRODUCT NAME: ActiveFit Plyometric Steps

PRODUCT NUMBER: FIT-000027

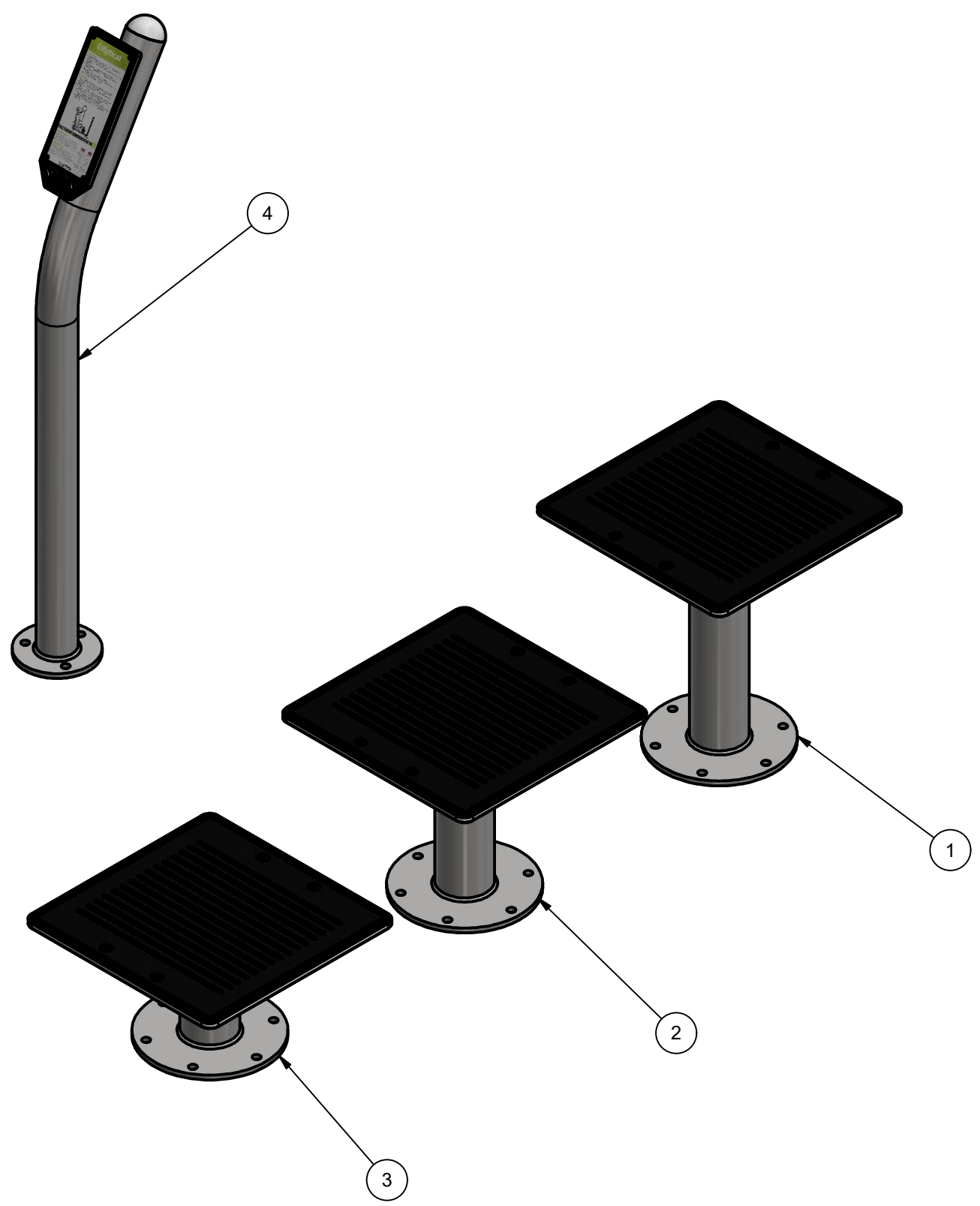
REVISED JAN. 2018

ALL DIMENSIONS ARE IN INCHES

SCALE 1 : 12

www.activefit.ca | 800-463-2361





Parts List			
Item	Product Number	Product Name	QTY
1	MTL-000248	Plyometric Step Weldment Height 24"	1
2	MTL-000247	Plyometric Step Weldment Height 18"	1
3	MTL-000246	Plyometric Step Weldment Height 12"	1
4	PST-000027	ActiveFit Ø3.5" Stand Alone Sign Post	1



ASSEMBLY DRAWING	
PRODUCT NAME: ActiveFit Plyometric Steps	
PRODUCT NUMBER: FIT-000027	REVISED JAN. 2018
ALL DIMENSIONS ARE IN INCHES	SCALE 1 : 12
www.activefit.ca 800-463-2361	