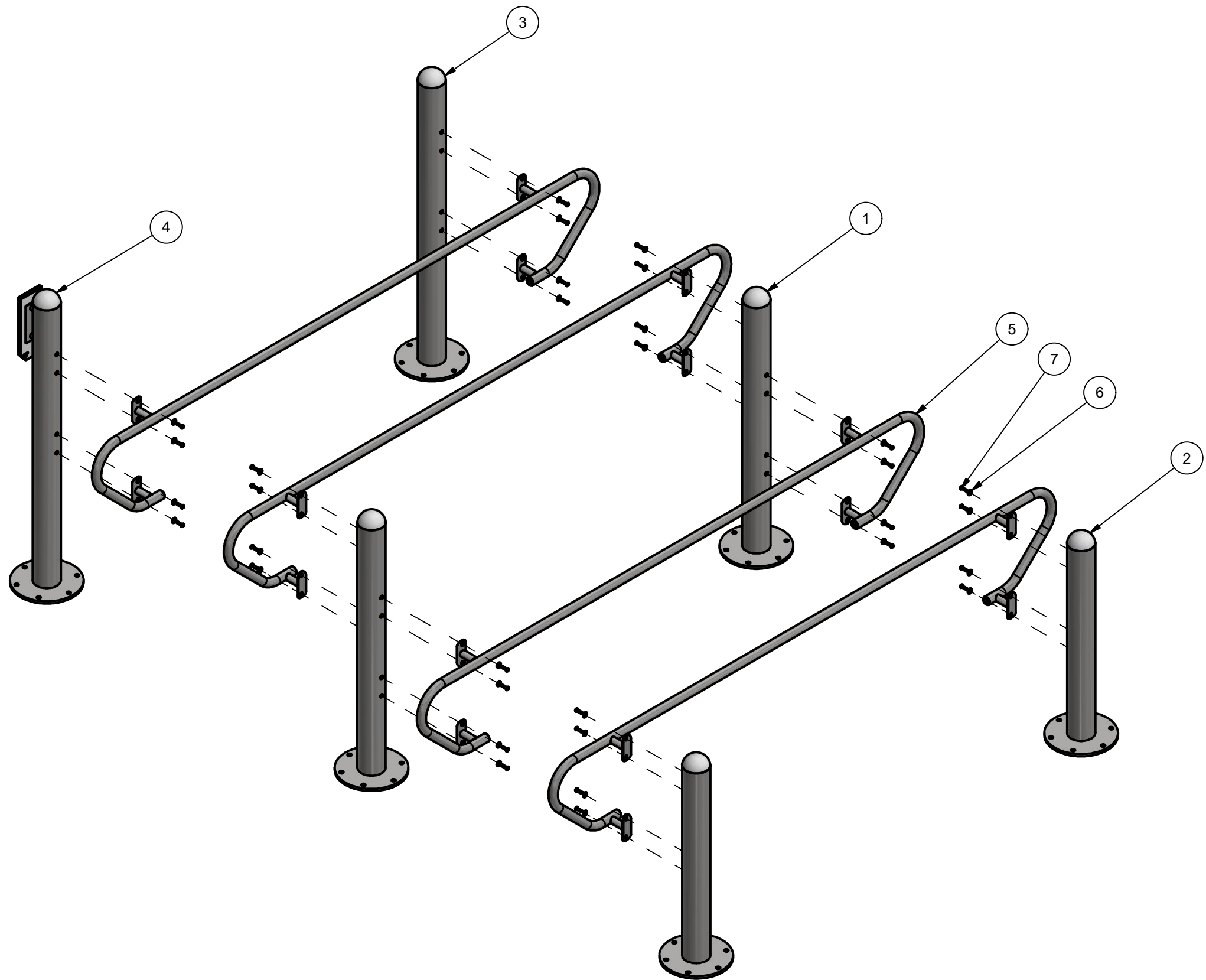


| | |
|---|-------------------|
| PLAN VIEW DRAWING | |
| PRODUCT NAME: ActiveFit Parallel Bars | |
| PRODUCT NUMBER: FIT-000022 | REVISED JAN. 2018 |
| ALL DIMENSIONS ARE IN INCHES | SCALE 1 : 24 |
| www.activefit.ca 800-463-2361 | |

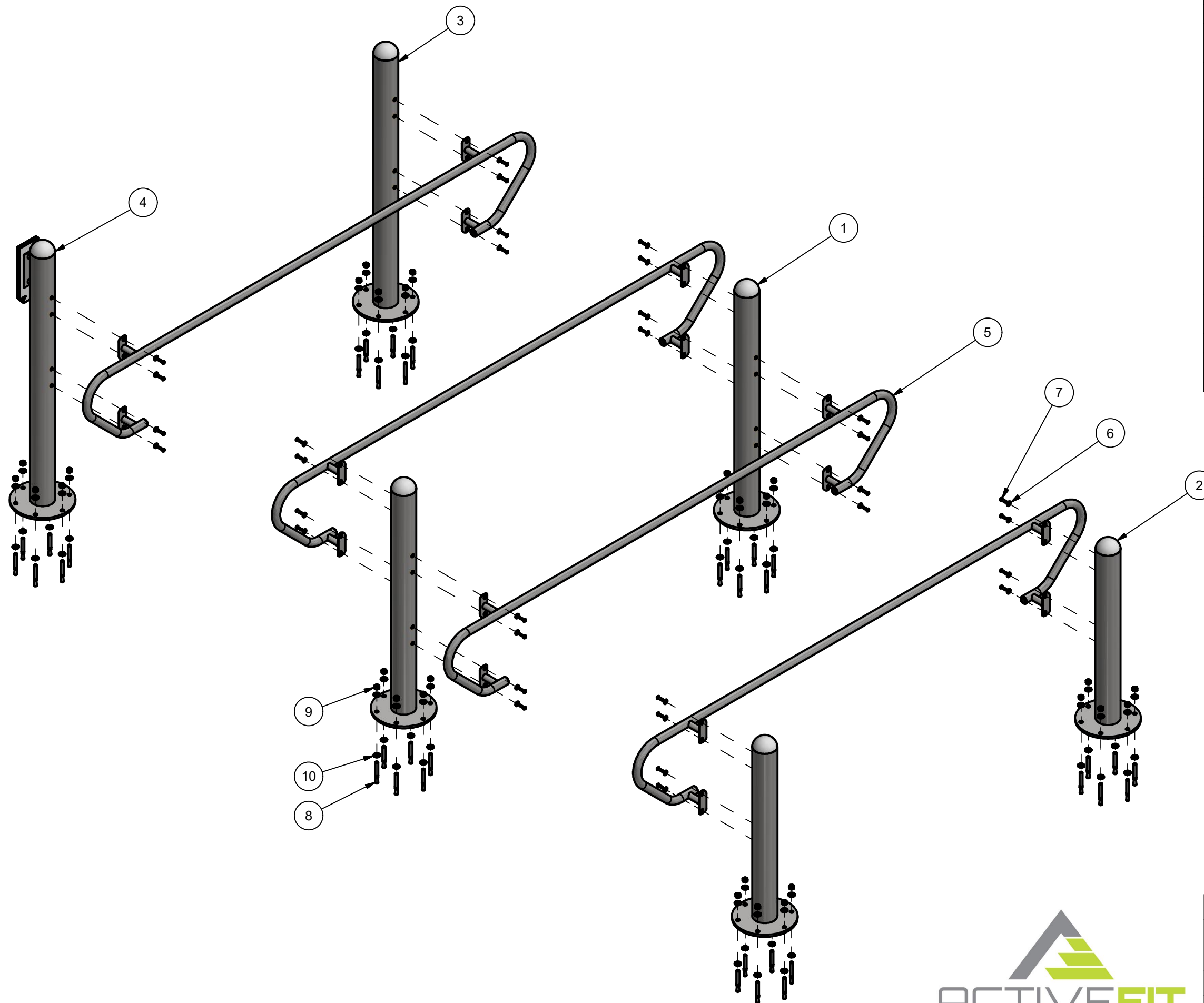


| Parts List | | | |
|------------|----------------|--|-----|
| Item | Product Number | Product Name | QTY |
| 1 | PST-000017 | ActiveFit Parallel Bar Post (Bar Height 48" & 36") | 2 |
| 2 | PST-000016 | ActiveFit Parallel Bar Post (Bar Height 36") | 2 |
| 3 | PST-000015 | ActiveFit Parallel Bar Post (Bar Height 48") W/ Sign | 1 |
| 4 | PST-000018 | ActiveFit Parallel Bar Post (Bar Height 48") W/ Sign | 1 |
| 5 | MTL-000193 | Parallel Bar | 4 |
| 6 | FAS-000005 | 3/8" ID x 1" OD Flat SS Washer | 32 |
| 7 | FAS-000002 | 3/8"-16 X 1 1/4" : Six Lobe Bolt (TORX TAMPER RESISTANT Bolts) | 32 |

NOTE:
APPLY LOCKTITE TO BOLTS WHEN ASSEMBLING



| | |
|---|-------------------|
| ASSEMBLY DRAWING | |
| PRODUCT NAME: ActiveFit Parallel Bars | |
| PRODUCT NUMBER: FIT-000022 | REVISED JAN. 2018 |
| ALL DIMENSIONS ARE IN INCHES | SCALE 1:20 |
| www.activefit.ca 800-463-2361 | |

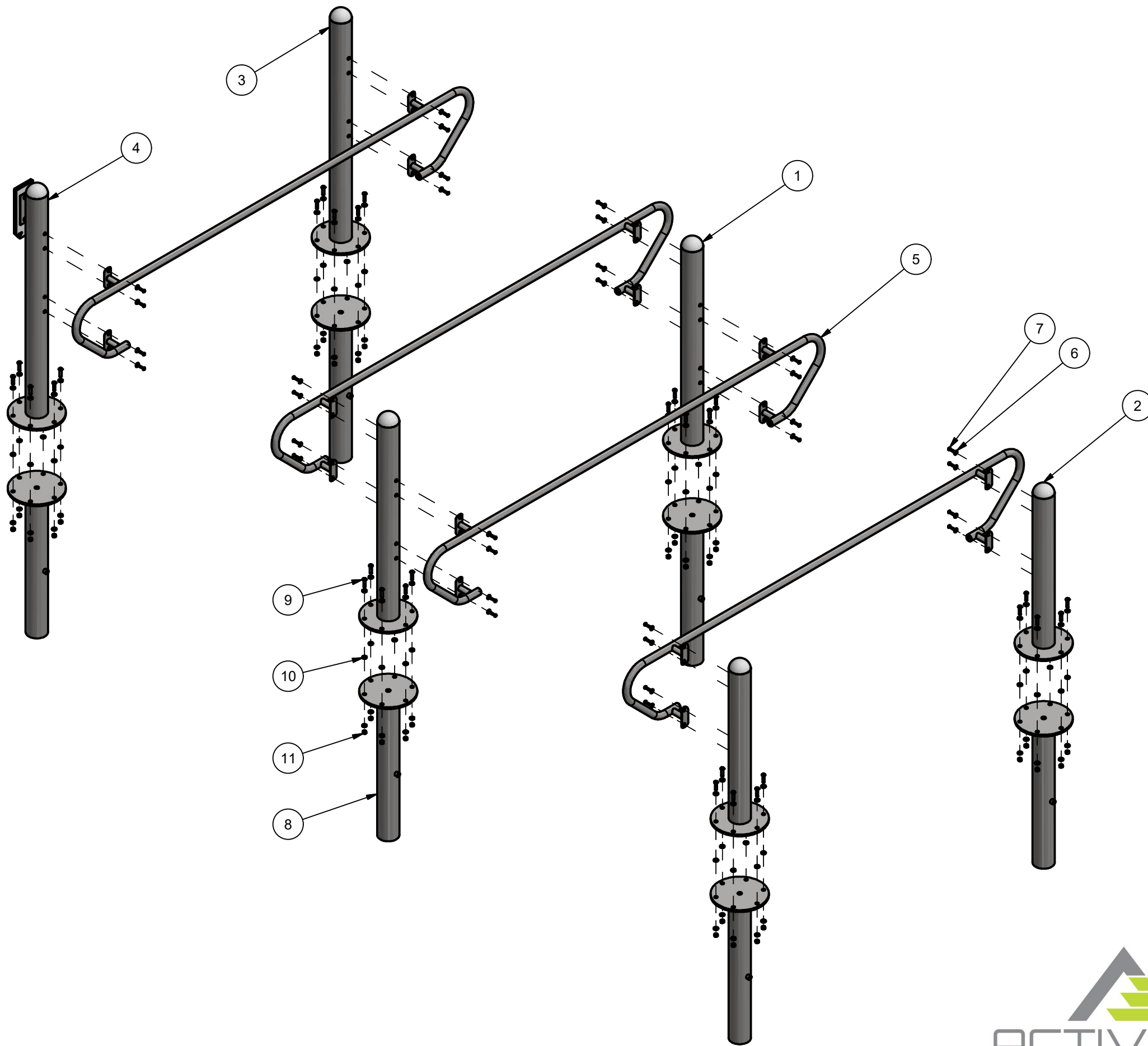


| Parts List | | | |
|------------|----------------|--|-----|
| Item | Product Number | Product Name | QTY |
| 1 | PST-000017 | ActiveFit Parallel Bar Post (Bar Height 48" & 36") | 2 |
| 2 | PST-000016 | ActiveFit Parallel Bar Post (Bar Height 36") | 2 |
| 3 | PST-000015 | ActiveFit Parallel Bar Post (Bar Height 48") W/ Sign | 1 |
| 4 | PST-000018 | ActiveFit Parallel Bar Post (Bar Height 48") W/ Sign | 1 |
| 5 | MTL-000193 | Parallel Bar | 4 |
| 6 | FAS-000005 | 3/8" ID x 1" OD Flat SS Washer | 32 |
| 7 | FAS-000002 | 3/8"-16 X 1 1/4" : Six Lobe Bolt (TORX TAMPER RESISTANT Bolts) | 32 |
| 8 | FAS-000014 | 5/8" x 5" Trubolt® 316 S/S Wedge Anchor | 36 |
| 9 | FAS-000015 | 5/8"-11 18-8 SS Hex Nut | 36 |
| 10 | FAS-000013 | 5/8" ASTM F436 Structural Flat Washer | 72 |

NOTE:
APPLY LOCKTITE TO BOLTS WHEN ASSEMBLING



| | |
|---|-------------------|
| INSTALLATION DRAWING | |
| PRODUCT NAME: ActiveFit Parallel Bars | |
| PRODUCT NUMBER: FIT-000022 | REVISED JAN. 2018 |
| ALL DIMENSIONS ARE IN INCHES | SCALE 1:20 |
| www.activefit.ca 800-463-2361 | |



Parts List

| Item | Product Number | Product Name | QTY |
|------|----------------|--|-----|
| 1 | PST-000017 | ActiveFit Parallel Bar Post (Bar Height 48" & 36") | 2 |
| 2 | PST-000016 | ActiveFit Parallel Bar Post (Bar Height 36") | 2 |
| 3 | PST-000015 | ActiveFit Parallel Bar Post (Bar Height 48") W/ Sign | 1 |
| 4 | PST-000018 | ActiveFit Parallel Bar Post (Bar Height 48") W/ Sign | 1 |
| 5 | MTL-000193 | Parallel Bar | 4 |
| 6 | FAS-000005 | 3/8" ID x 1" OD Flat SS Washer | 32 |
| 7 | FAS-000002 | 3/8"-16 X 1 1/4" : Six Lobe Bolt (TORX TAMPER RESISTANT Bolts) | 32 |
| 8 | FDN-000003 | Concrete Post Extension (13" dia Plate w/ 5" Post)(No Gussets) | 6 |
| 9 | FAS-000033 | 1/2" x 13 x 2" SS Button Socket Cap Screw | 36 |
| 10 | FAS-000035 | 1/2" Galvanized Steel Structural Flat Washer | 108 |
| 11 | FAS-000034 | 1/2"-13 SS Hex Nut | 36 |

NOTE:
APPLY LOCKTITE TO BOLTS WHEN ASSEMBLING

INSTALLATION DRAWING

PRODUCT NAME: ActiveFit Parallel Bars

PRODUCT NUMBER: FIT-000022

REVISED JAN. 2018

ALL DIMENSIONS ARE IN INCHES

SCALE 1:24

www.activefit.ca | 800-463-2361

