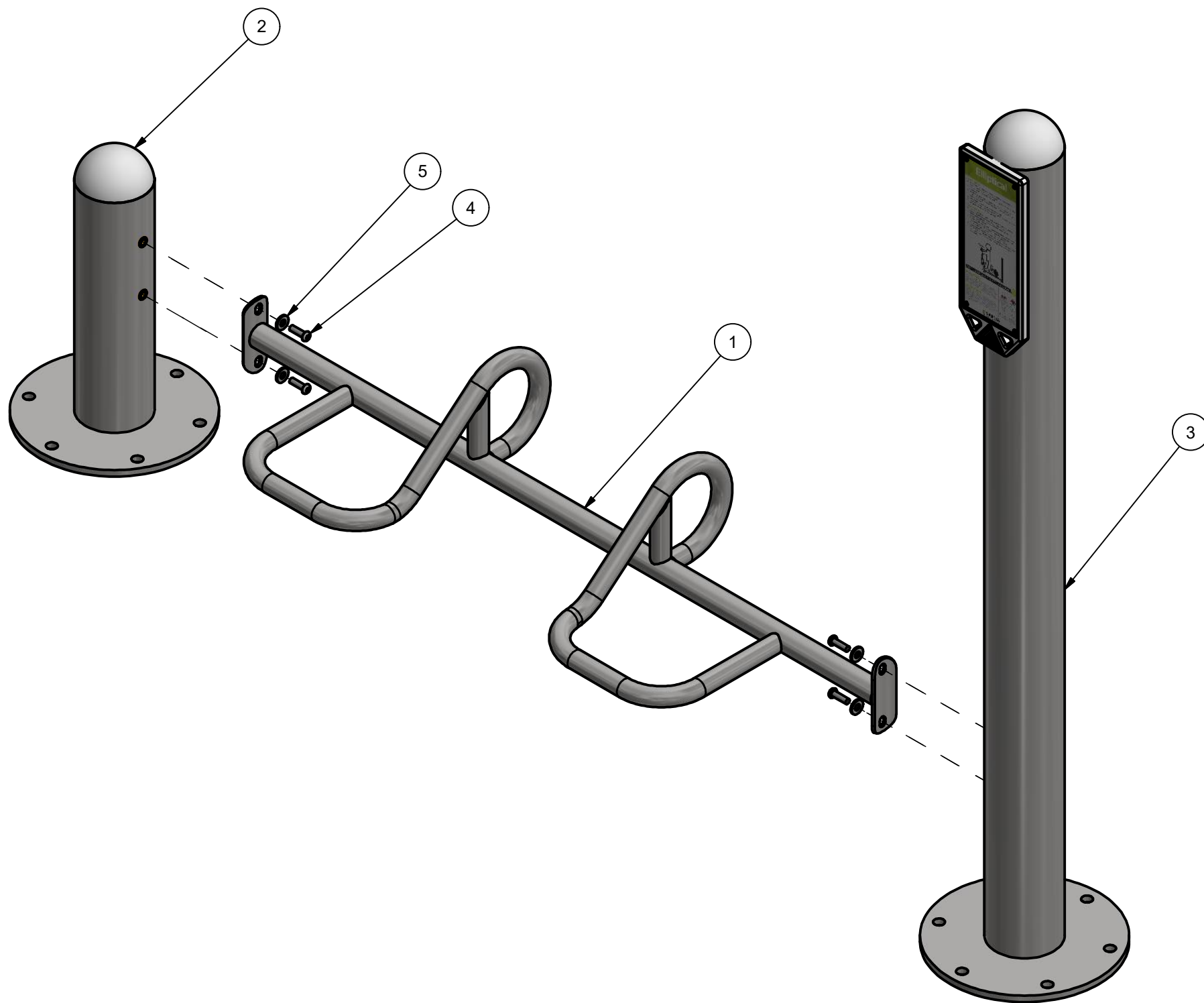


PLAN VIEW DRAWING	
PRODUCT NAME: ActiveFit Multi-Grip Push-up Bars	
PRODUCT NUMBER: FIT-000018	REVISED JAN. 2018
ALL DIMENSIONS ARE IN INCHES	SCALE 1 : 24
www.activefit.ca 800-463-2361	

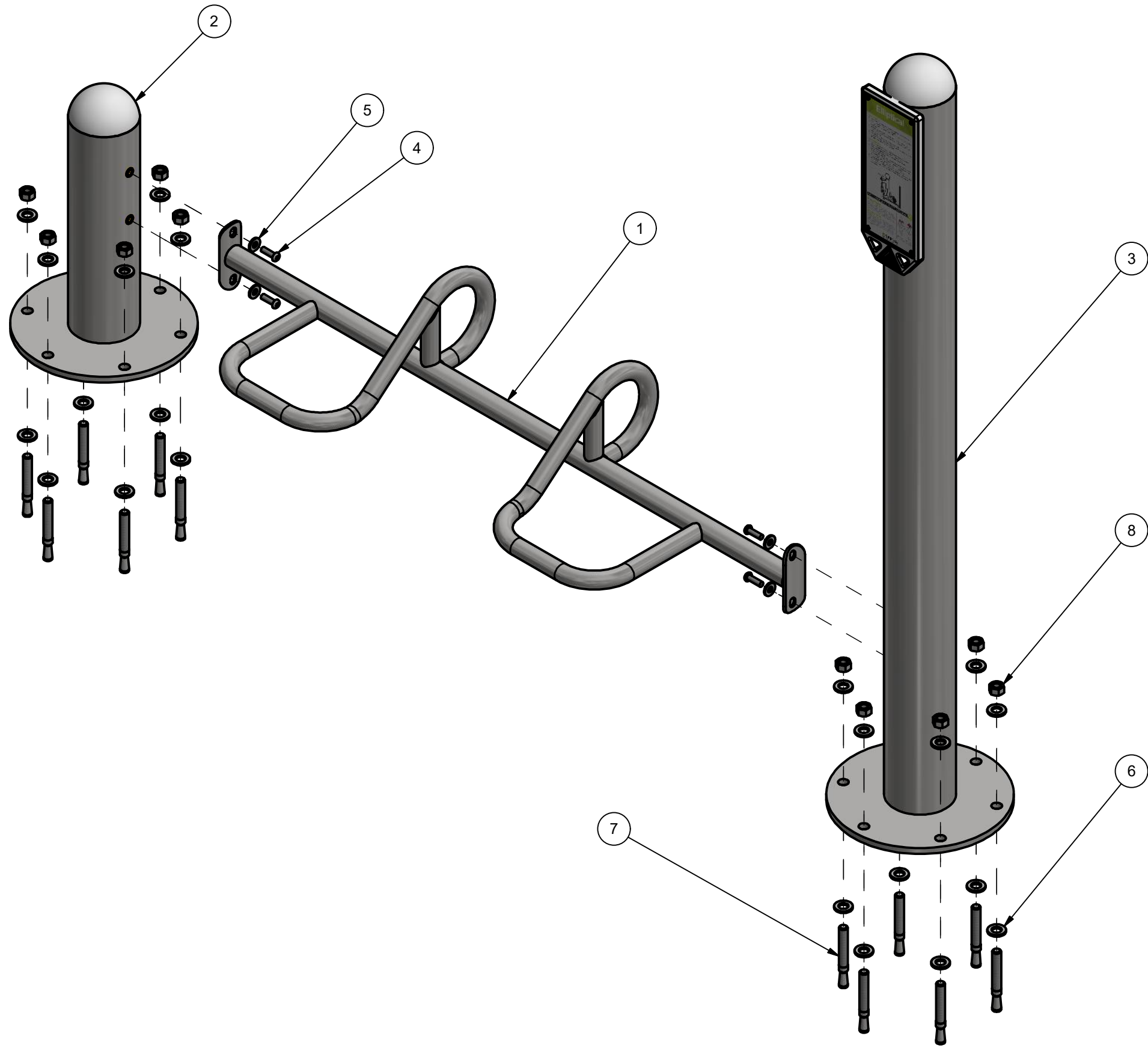


Parts List			
Item	Product Number	Product Name	QTY
1	MTL-000173	Multi-Grip push up bar	1
2	PST-000009	ActiveFit Push-Up Post	1
3	PST-000012	Push-up Post. 5in diameter Post w/ sign holes. Bar 12 inches off the ground. Welded to 13 in Diameter Base Mounting Plate	1
4	FAS-000002	3/8"-16 X 1 1/4" : Six Lobe Bolt (TORX TAMPER RESISTANT Bolts)	4
5	FAS-000005	3/8" ID x 1" OD Flat SS Washer	4

NOTE:
APPLY LOCKTITE TO BOLTS WHEN ASSEMBLING



ASSEMBLY DRAWING	
PRODUCT NAME: ActiveFit Multi-Grip Push-up Bars	
PRODUCT NUMBER: FIT-000018	REVISED JAN. 2018
ALL DIMENSIONS ARE IN INCHES	SCALE 1:8
www.activefit.ca 800-463-2361	

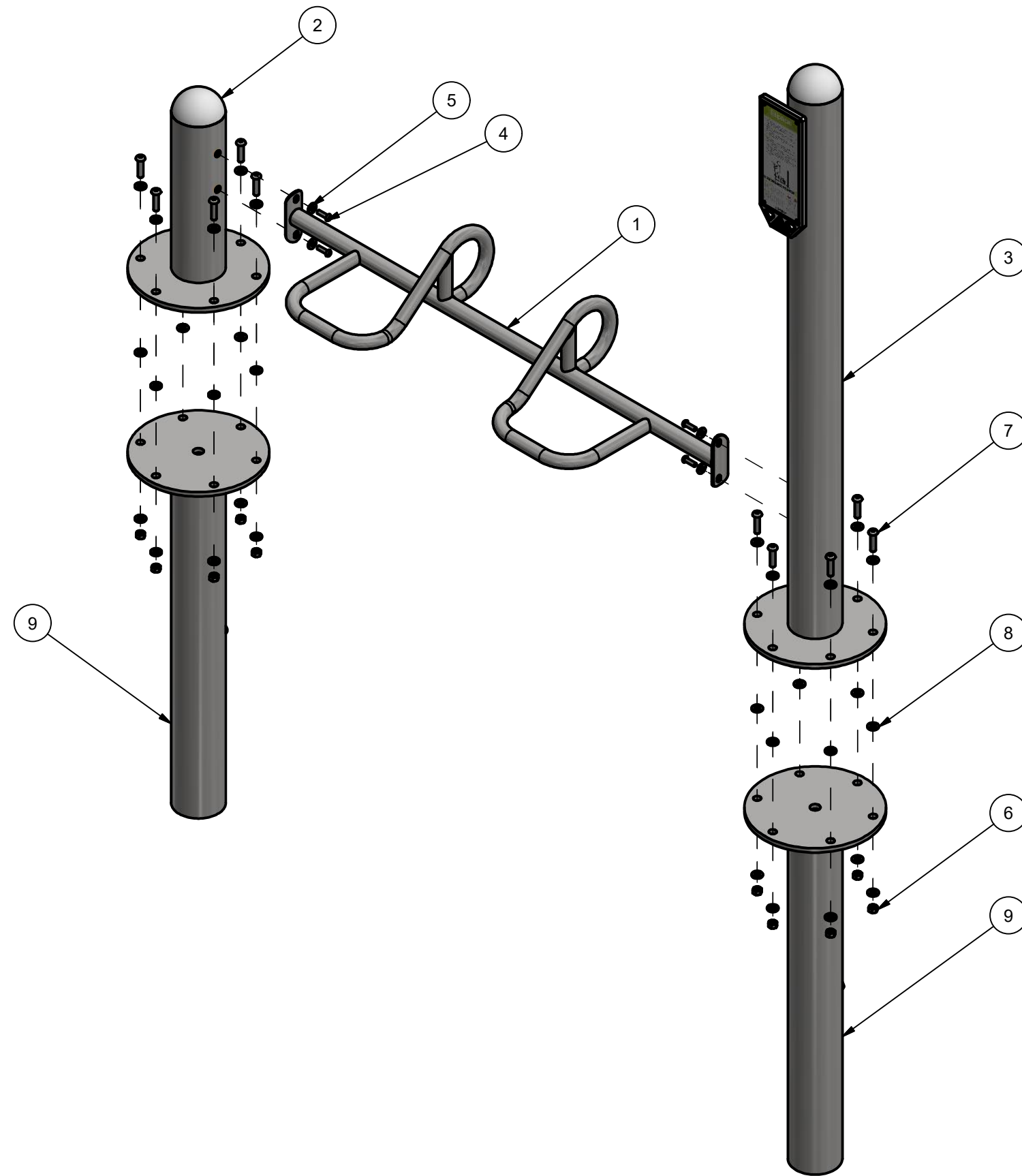


Parts List			
Item	Product Number	Product Name	QTY
1	MTL-000173	Multi-Grip push up bar	1
2	PST-000009	ActiveFit Push-Up Post	1
3	PST-000012	Push-up Post. 5in diameter Post w/ sign holes. Bar 12 inches off the ground. Welded to 13 in Diameter Base Mounting Plate	1
4	FAS-000002	3/8"-16 X 1 1/4" : Six Lobe Bolt (TORX TAMPER RESISTANT Bolts)	4
5	FAS-000005	3/8" ID x 1" OD Flat SS Washer	4
6	FAS-000013	5/8" ASTM F436 Structural Flat Washer	24
7	FAS-000014	5/8" x 5" Trubolt® 316 S/S Wedge Anchor	12
8	FAS-000015	5/8"-11 18-8 SS Hex Nut	12

NOTE:
APPLY LOCKTITE TO BOLTS WHEN ASSEMBLING



INSTALLATION DRAWING	
PRODUCT NAME: ActiveFit Multi-Grip Push-up Bars	
PRODUCT NUMBER: FIT-000018	REVISED JAN. 2018
ALL DIMENSIONS ARE IN INCHES	SCALE 1:8
www.activefit.ca 800-463-2361	



Parts List			
Item	Product Number	Product Name	QTY
1	MTL-000173	Multi-Grip push up bar	1
2	PST-000009	ActiveFit Push-Up Post	1
3	PST-000012	Push-up Post. 5in diameter Post w/ sign holes. Bar 12 inches off the ground. Welded to 13 in Diameter Base Mounting Plate	1
4	FAS-000002	3/8"-16 X 1 1/4" : Six Lobe Bolt (TORX TAMPER RESISTANT Bolts)	4
5	FAS-000005	3/8" ID x 1" OD Flat SS Washer	4
6	FAS-000034	1/2"-13 SS Hex Nut	12
7	FAS-000033	1/2" x 13 x 2" SS Button Socket Cap Screw	12
8	FAS-000035	1/2" Galvanized Steel Structural Flat Washer	36
9	FDN-000003	Concrete Post Extension (13" dia Plate w/ 5" Post)(No Gussets)	2

NOTE:
APPLY LOCKTITE TO BOLTS WHEN ASSEMBLING



INSTALLATION DRAWING	
PRODUCT NAME: ActiveFit Multi-Grip Push-up Bars	
PRODUCT NUMBER: FIT-000018	REVISED JAN. 2018
ALL DIMENSIONS ARE IN INCHES	SCALE 1:12
www.activefit.ca 800-463-2361	