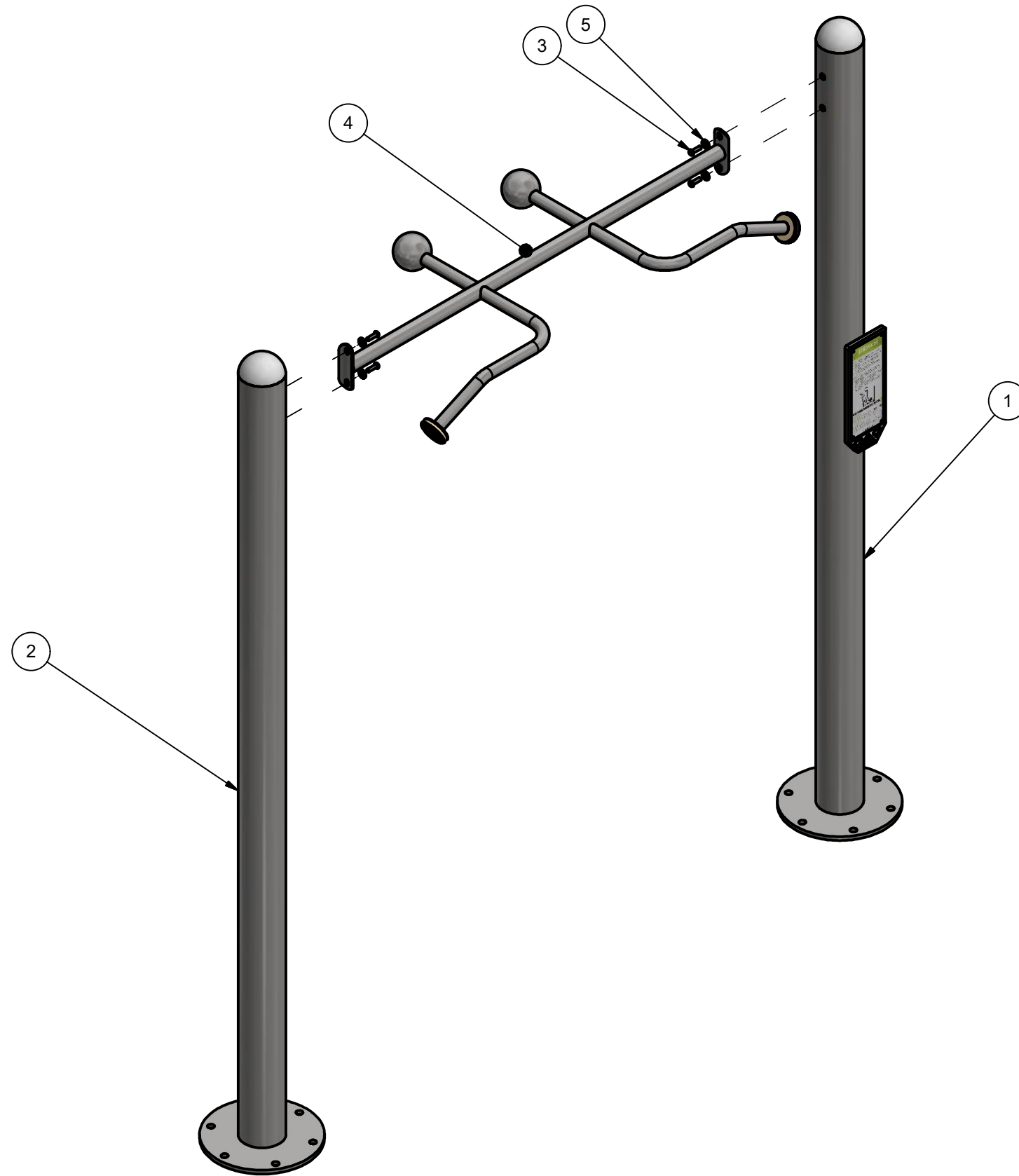


PLAN VIEW DRAWING	
PRODUCT NAME: ActiveFit Multi-Grip Pull Up Single. Bar Height 92in.	
PRODUCT NUMBER: FIT-000002	REVISED JAN. 2018
ALL DIMENSIONS ARE IN INCHES	SCALE 1 : 16
<a href="http://www.activefit.ca">www.activefit.ca</a>   800-463-2361	

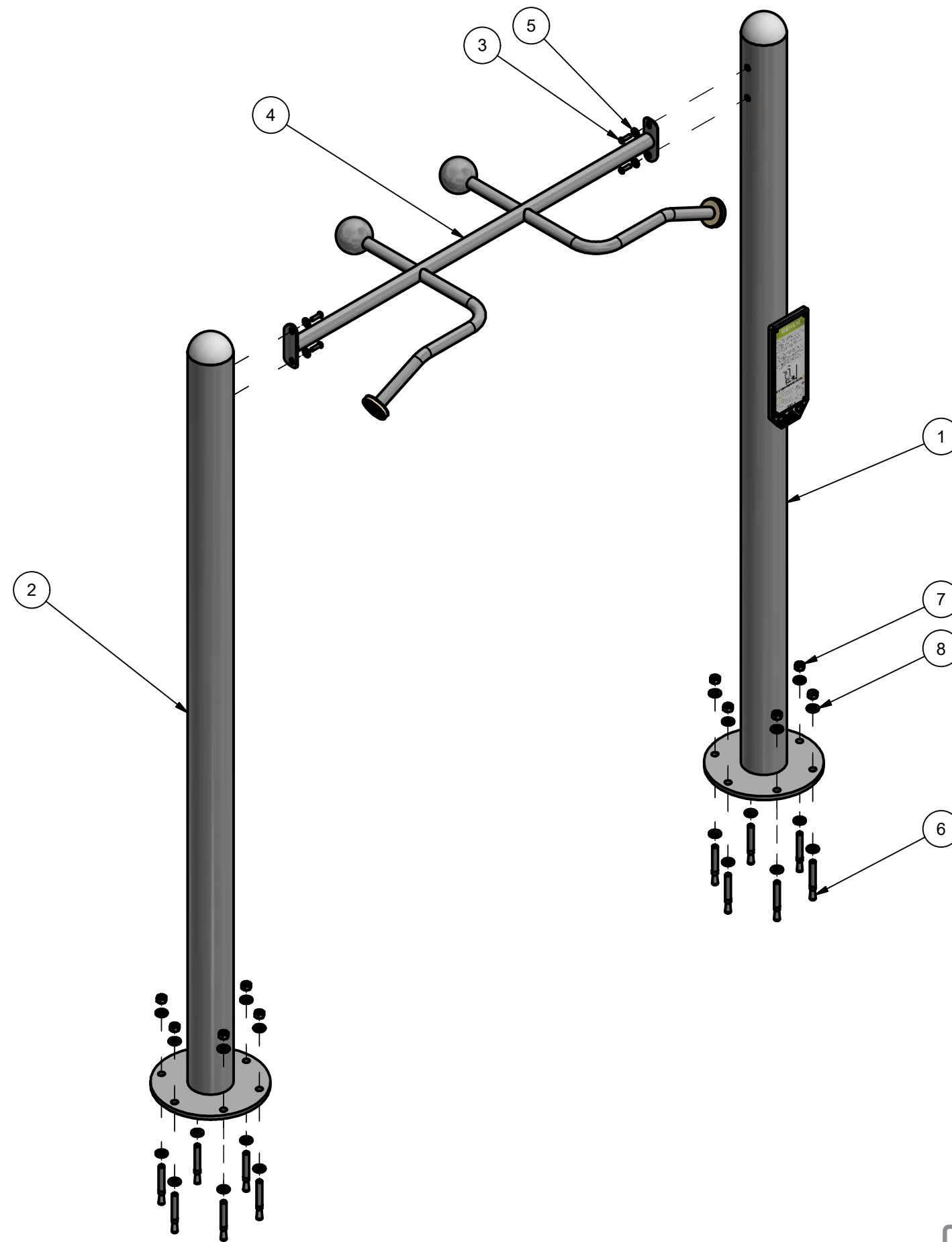


Parts List			
Item	Product Number	Product Name	QTY
1	PST-000003	ActiveFit Pull-up Post. (Bar Height 92 inches.)	1
2	PST-000004	ActiveFit Pull Up Post. (Bar Height 92 inches.)	1
3	FAS-000002	3/8"-16 X 1 1/4" : Six Lobe Bolt (TORX TAMPER RESISTANT Bolts)	4
4	OVH-000001	ActiveFit Multi-Grip Pull Up Bar	1
5	FAS-000005	3/8" ID x 1" OD Flat SS Washer	4

NOTE:  
APPLY LOCKTITE TO BOLTS WHEN ASSEMBLING



ASSEMBLY DRAWING	
PRODUCT NAME: ActiveFit Multi-Grip Pull Up Single. Bar Height 92in.	
PRODUCT NUMBER: FIT-000002	REVISED JAN. 2018
ALL DIMENSIONS ARE IN INCHES	SCALE 1:14
<a href="http://www.activefit.ca">www.activefit.ca</a>   800-463-2361	

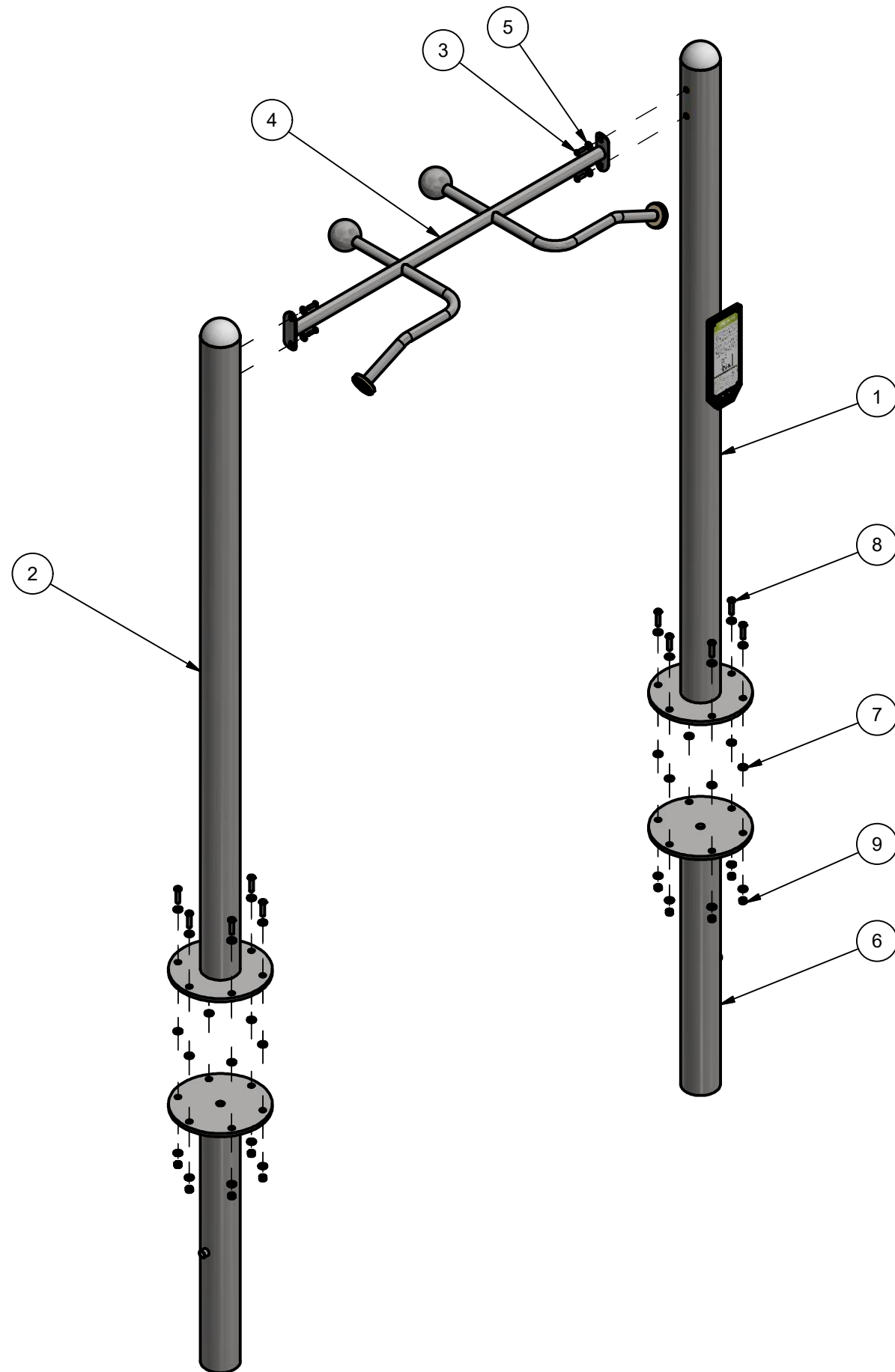


Parts List			
Item	Product Number	Product Name	QTY
1	PST-000003	ActiveFit Pull-up Post. (Bar Height 92 inches.)	1
2	PST-000004	ActiveFit Pull Up Post. (Bar Height 92 inches.)	1
3	FAS-000002	3/8"-16 X 1 1/4" : Six Lobe Bolt (TORX TAMPER RESISTANT Bolts)	4
4	OVH-000001	ActiveFit Multi-Grip Pull Up Bar	1
5	FAS-000005	3/8" ID x 1" OD Flat SS Washer	4
6	FAS-000014	5/8" x 5" Trubolt® 316 S/S Wedge Anchor	12
7	FAS-000015	5/8"-11 18-8 SS Hex Nut	12
8	FAS-000013	5/8" ASTM F436 Structural Flat Washer	24

NOTE:  
APPLY LOCKTITE TO BOLTS WHEN ASSEMBLING



INSTALLATION DRAWING	
PRODUCT NAME: ActiveFit Multi-Grip Pull Up Single. Bar Height 92in.	
PRODUCT NUMBER: FIT-000002	REVISED JAN. 2018
ALL DIMENSIONS ARE IN INCHES	SCALE 1:14
<a href="http://www.activefit.ca">www.activefit.ca</a>   800-463-2361	



Parts List			
Item	Product Number	Product Name	QTY
1	PST-000003	ActiveFit Pull-up Post. (Bar Height 92 inches.)	1
2	PST-000004	ActiveFit Pull Up Post. (Bar Height 92 inches.)	1
3	FAS-000002	3/8"-16 X 1 1/4" : Six Lobe Bolt (TORX TAMPER RESISTANT Bolts)	4
4	OVH-000001	ActiveFit Multi-Grip Pull Up Bar	1
5	FAS-000005	3/8" ID x 1" OD Flat SS Washer	4
6	FDN-000003	Concrete Post Extension (13" dia Plate w/ 5" Post)(No Gussets)	2
7	FAS-000035	1/2" Galvanized Steel Structural Flat Washer	36
8	FAS-000033	1/2" x 13 x 2" SS Button Socket Cap Screw	12
9	FAS-000034	1/2"-13 SS Hex Nut	12

NOTE:  
APPLY LOCKTITE TO BOLTS WHEN ASSEMBLING



INSTALLATION DRAWING	
PRODUCT NAME: ActiveFit Multi-Grip Pull Up Single. Bar Height 92in.	
PRODUCT NUMBER: FIT-000002	REVISED JAN. 2018
ALL DIMENSIONS ARE IN INCHES	SCALE 1:18
<a href="http://www.activefit.ca">www.activefit.ca</a>   800-463-2361	