

CLEARANCE SPACE

TRAINING ENVELOPE

144 REF

16³/₄

62¹/₂

16³/₄

96 REF

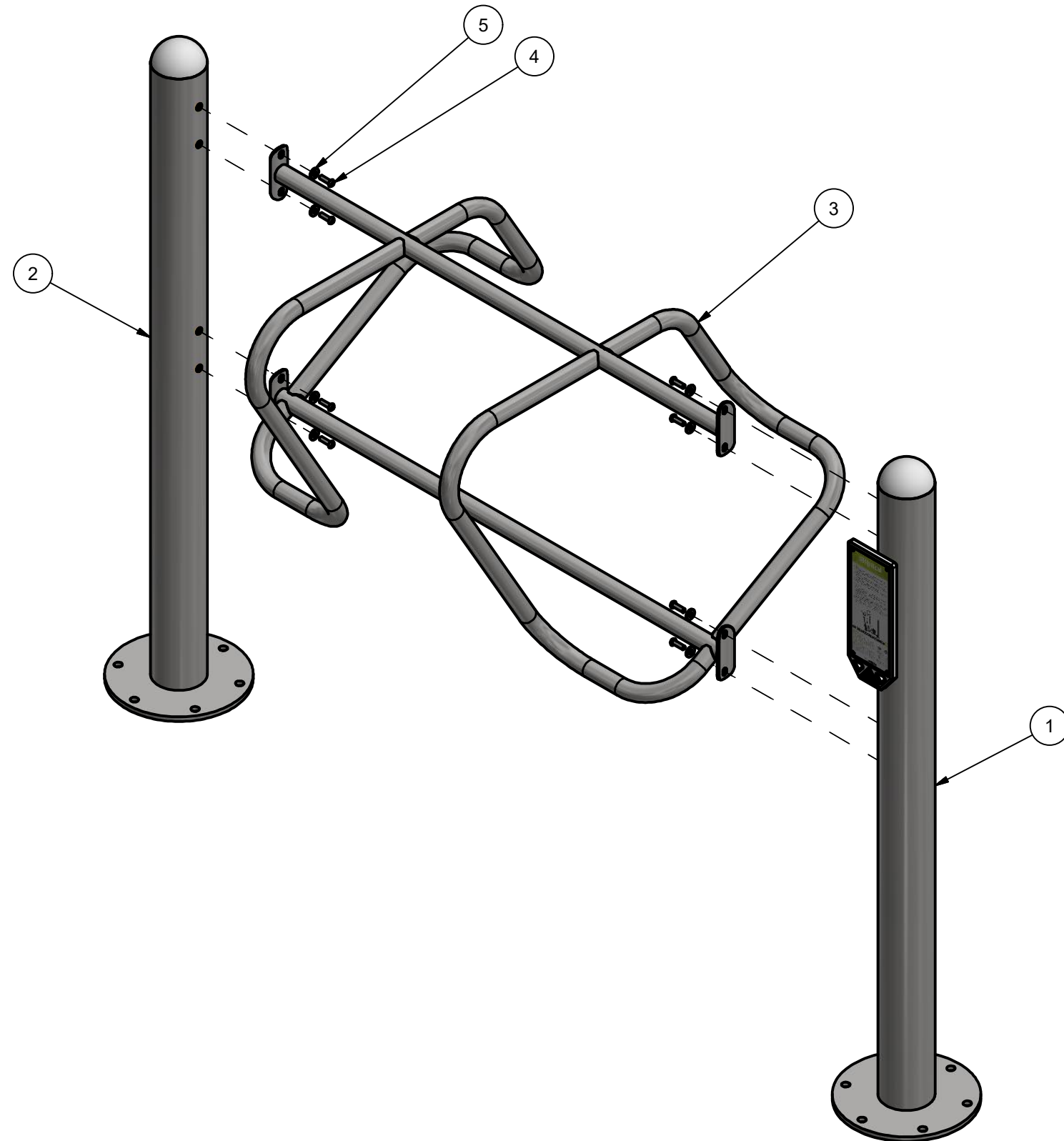
R12

36 REF

72



PLAN VIEW DRAWING	
PRODUCT NAME: ActiveFit Multi-Position Dip Station	
PRODUCT NUMBER: FIT-000017	REVISED AUG. 2018
ALL DIMENSIONS ARE IN INCHES	SCALE 1 : 24
www.activefit.ca 800-463-2361	

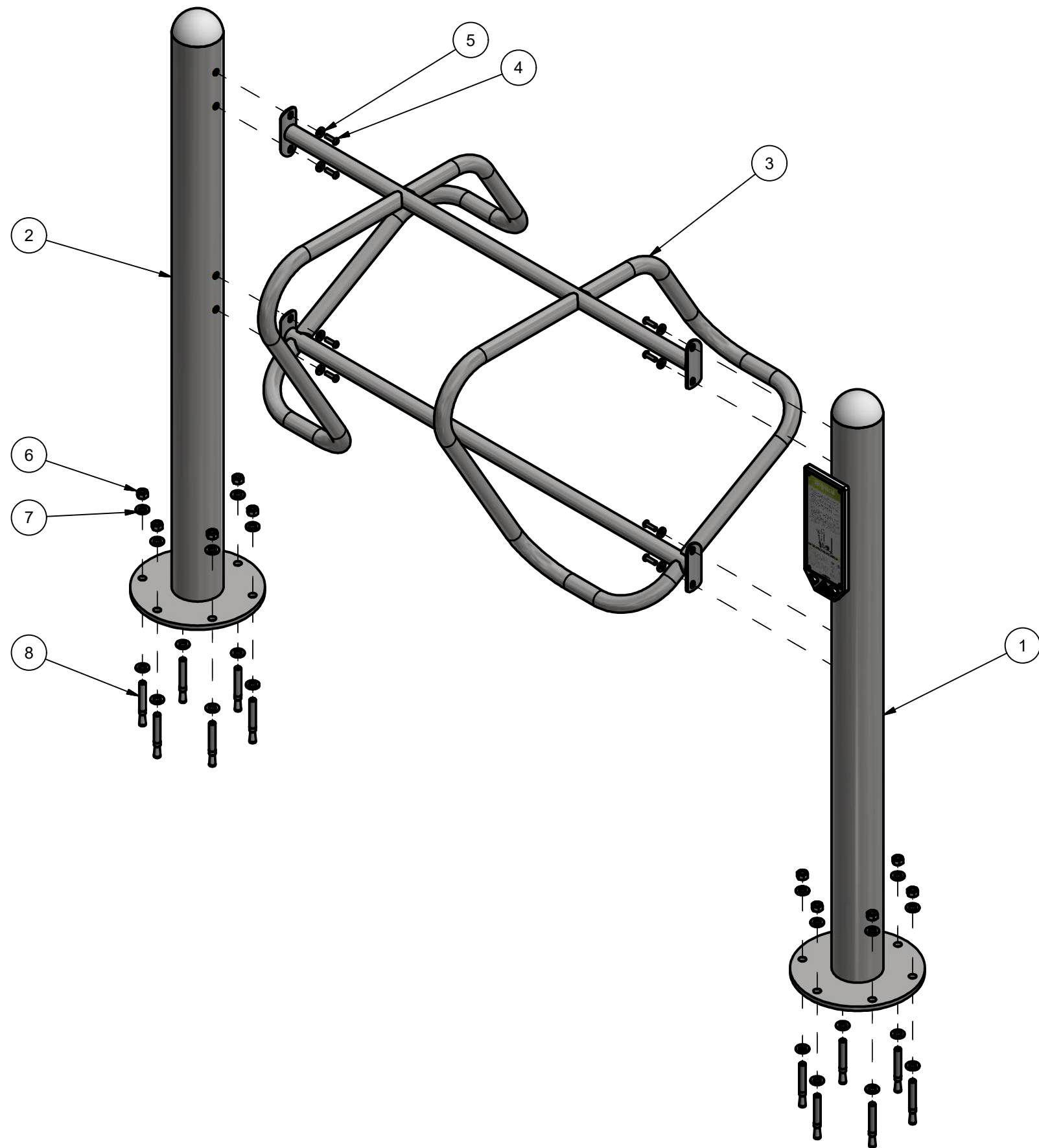


Parts List			
Item	Product Number	Product Name	QTY
1	PST-000011	ActiveFit Dip Station Post w/ Use Sign Mounting Holes	1
2	PST-000010	ActiveFit Dip Station Post	1
3	MTL-000177	Multi Position Dip Bar	1
4	FAS-000002	3/8"-16 X 1 1/4" : Six Lobe Bolt (TORX TAMPER RESISTANT Bolts)	8
5	FAS-000005	3/8" ID x 1" OD Flat SS Washer	8

NOTE:
APPLY LOCKTITE TO BOLTS WHEN ASSEMBLING



ASSEMBLY DRAWING	
PRODUCT NAME: ActiveFit Multi-Position Dip Station	
PRODUCT NUMBER: FIT-000017	REVISED JAN. 2018
ALL DIMENSIONS ARE IN INCHES	SCALE 1:12
www.activefit.ca 800-463-2361	

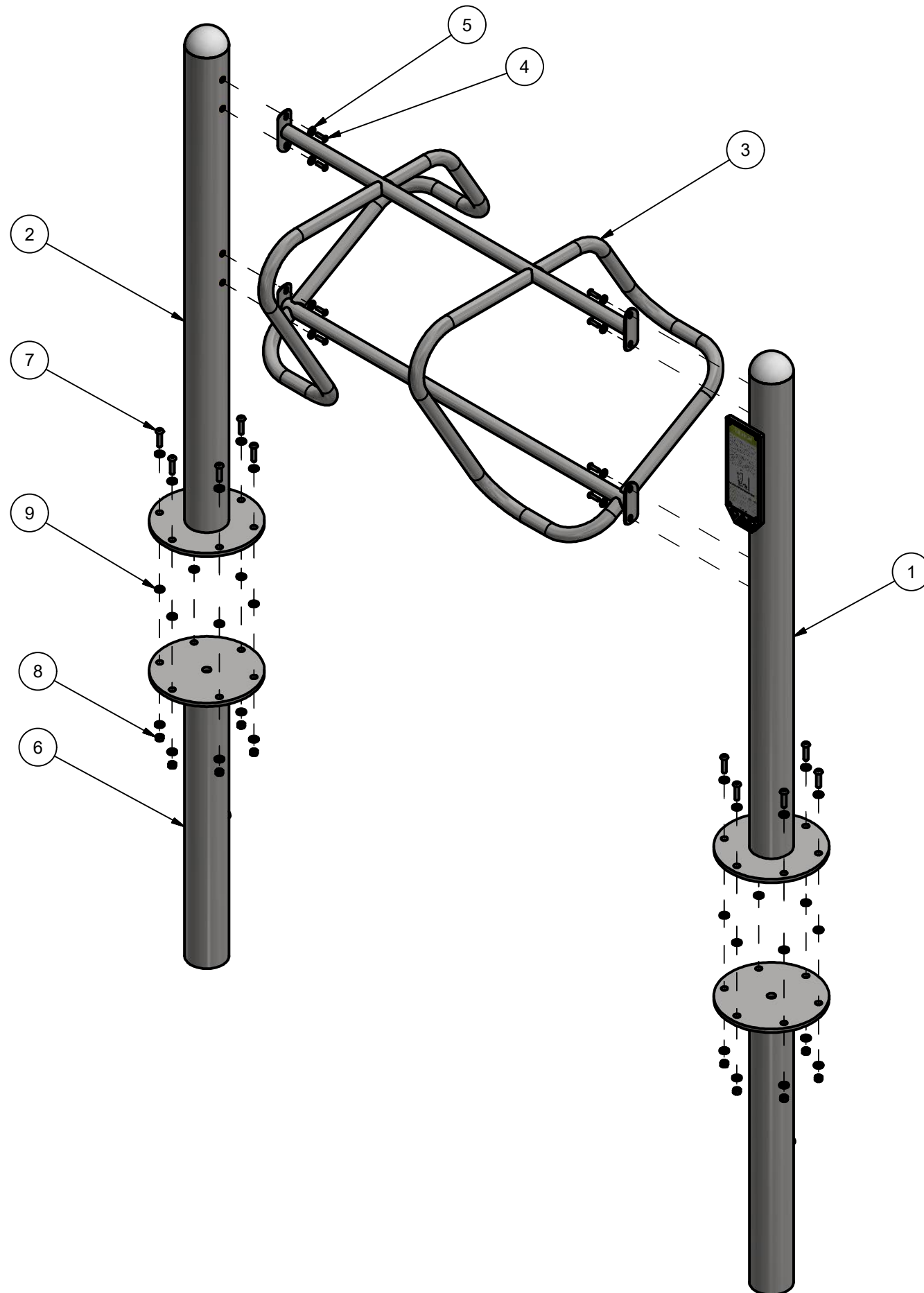


Parts List			
Item	Product Number	Product Name	QTY
1	PST-000011	ActiveFit Dip Station Post w/ Use Sign Mounting Holes	1
2	PST-000010	ActiveFit Dip Station Post	1
3	MTL-000177	Multi Position Dip Bar	1
4	FAS-000002	3/8"-16 X 1 1/4" : Six Lobe Bolt (TORX TAMPER RESISTANT Bolts)	8
5	FAS-000005	3/8" ID x 1" OD Flat SS Washer	8
6	FAS-000015	5/8"-11 18-8 SS Hex Nut	12
7	FAS-000013	5/8" ASTM F436 Structural Flat Washer	24
8	FAS-000014	5/8" x 5" Trubolt® 316 S/S Wedge Anchor	12

NOTE:
APPLY LOCKTITE TO BOLTS WHEN ASSEMBLING



INSTALLATION DRAWING	
PRODUCT NAME: ActiveFit Multi-Position Dip Station	
PRODUCT NUMBER: FIT-000017	REVISED JAN. 2018
ALL DIMENSIONS ARE IN INCHES	SCALE 1:12
www.activefit.ca 800-463-2361	



Parts List			
Item	Product Number	Product Name	QTY
1	PST-000011	ActiveFit Dip Station Post w/ Use Sign Mounting Holes	1
2	PST-000010	ActiveFit Dip Station Post	1
3	MTL-000177	Multi Position Dip Bar	1
4	FAS-000002	3/8"-16 X 1 1/4" : Six Lobe Bolt (TORX TAMPER RESISTANT Bolts)	8
5	FAS-000005	3/8" ID x 1" OD Flat SS Washer	8
6	FDN-000003	Concrete Post Extension (13" dia Plate w/ 5" Post)(No Gussets)	2
7	FAS-000033	1/2" x 13 x 2" SS Button Socket Cap Screw	36
8	FAS-000034	1/2"-13 SS Hex Nut	12
9	FAS-000035	1/2" Galvanized Steel Structural Flat Washer	12

NOTE:
APPLY LOCKTITE TO BOLTS WHEN ASSEMBLING



INSTALLATION DRAWING	
PRODUCT NAME: ActiveFit Multi-Position Dip Station	
PRODUCT NUMBER: FIT-000017	REVISED JAN. 2018
ALL DIMENSIONS ARE IN INCHES	SCALE 1:15
www.activefit.ca 800-463-2361	