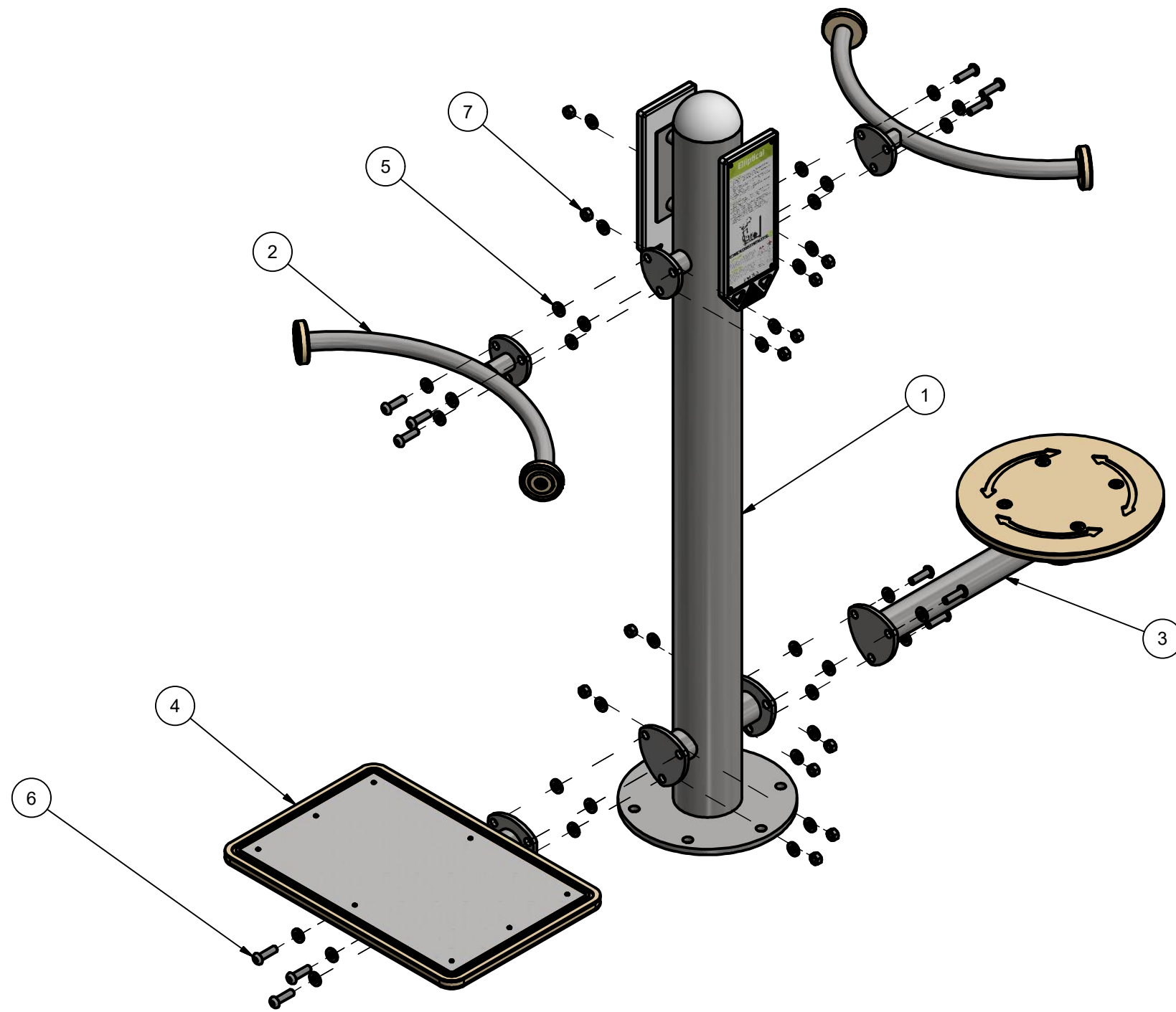


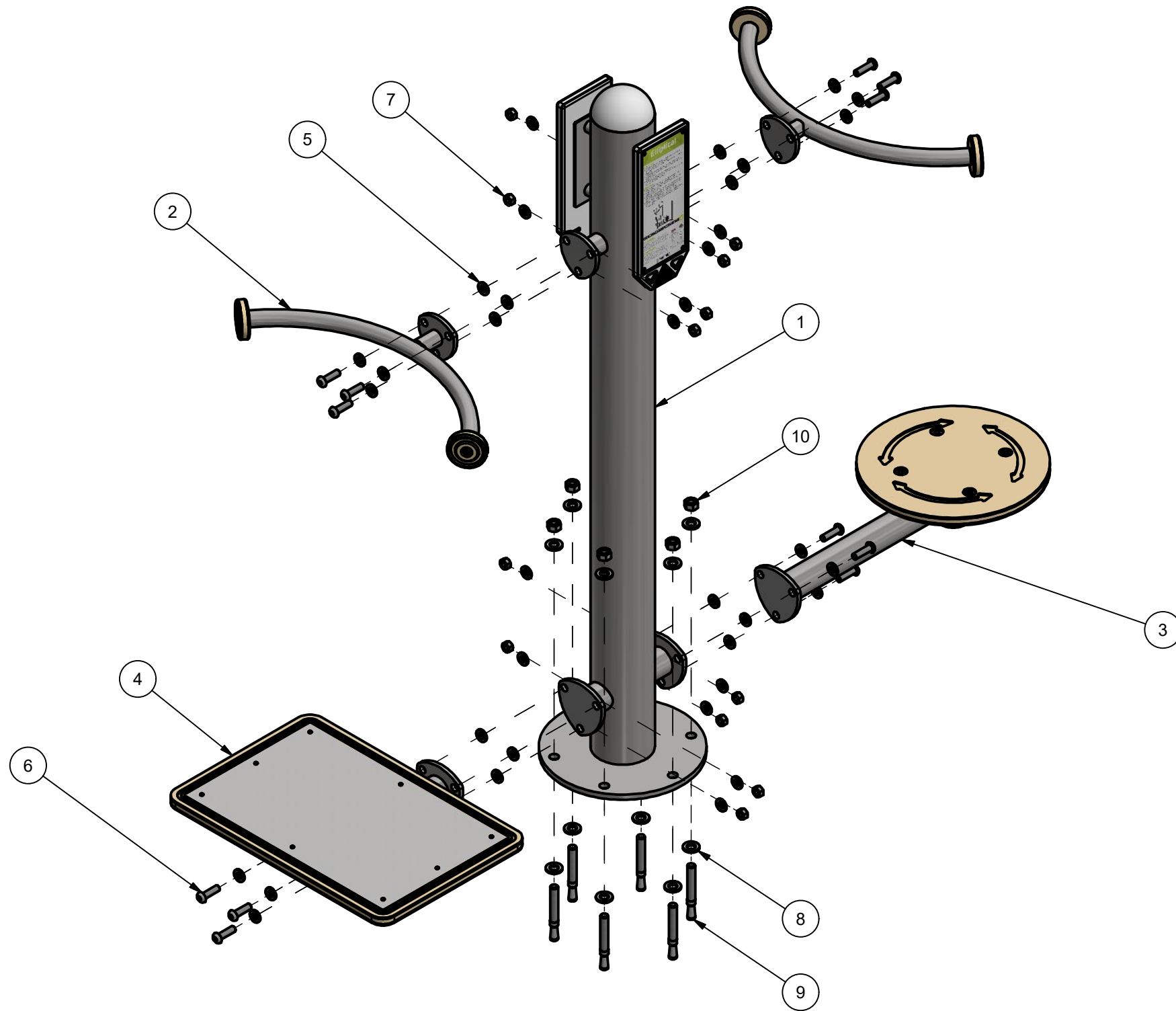
PLAN VIEW DRAWING	
PRODUCT NAME: ActiveFit Lower Body Stretcher / Stepper Combo	
PRODUCT NUMBER: FIT-000043	REVISED JAN. 2018
ALL DIMENSIONS ARE IN INCHES	SCALE 1 : 16
www.activefit.ca 800-463-2361	



Parts List			
Item	Product Number	Product Name	QTY
1	PST-000026	ActiveFit Lower Body Stretcher / Stepper Post	1
2	MTL-000311	ActiveFit Modular Handle Bar	2
3	MTL-000290	Lower Body Stretcher feet extension weldment	1
4	MTL-000314	Stepper Support Pipe	1
5	FAS-000035	1/2" Galvanized Steel Structural Flat Washer	36
6	FAS-000041	1/2"-13 x 1-3/4" ASTM F879 Hex Drive Grade 18-8 Stainless Steel Button Socket Cap Screw	12
7	FAS-000034	1/2"-13 SS Hex Nut	12



ASSEMBLY DRAWING	
PRODUCT NAME: ActiveFit Lower Body Stretcher / Stepper Combo	
PRODUCT NUMBER: FIT-000043	REVISED JAN. 2018
ALL DIMENSIONS ARE IN INCHES	SCALE 1:10
www.activefit.ca 800-463-2361	



Parts List

Item	Product Number	Product Name	QTY
1	PST-000026	ActiveFit Lower Body Stretcher / Stepper Post	1
2	MTL-000311	ActiveFit Modular Handle Bar	2
3	MTL-000290	Lower Body Stretcher feet extension weldment	1
4	MTL-000314	Stepper Support Pipe	1
5	FAS-000035	1/2" Galvanized Steel Structural Flat Washer	36
6	FAS-000041	1/2"-13 x 1-3/4" ASTM F879 Hex Drive Grade 18-8 Stainless Steel Button Socket Cap Screw	12
7	FAS-000034	1/2"-13 SS Hex Nut	12
8	FAS-000013	5/8" ASTM F436 Structural Flat Washer	12
9	FAS-000014	5/8" x 5" Trubolt® 316 S/S Wedge Anchor	6
10	FAS-000015	5/8"-11 18-8 SS Hex Nut	6

INSTALLATION DRAWING

PRODUCT NAME: ActiveFit Lower Body Stretcher / Stepper Combo

PRODUCT NUMBER: FIT-000043

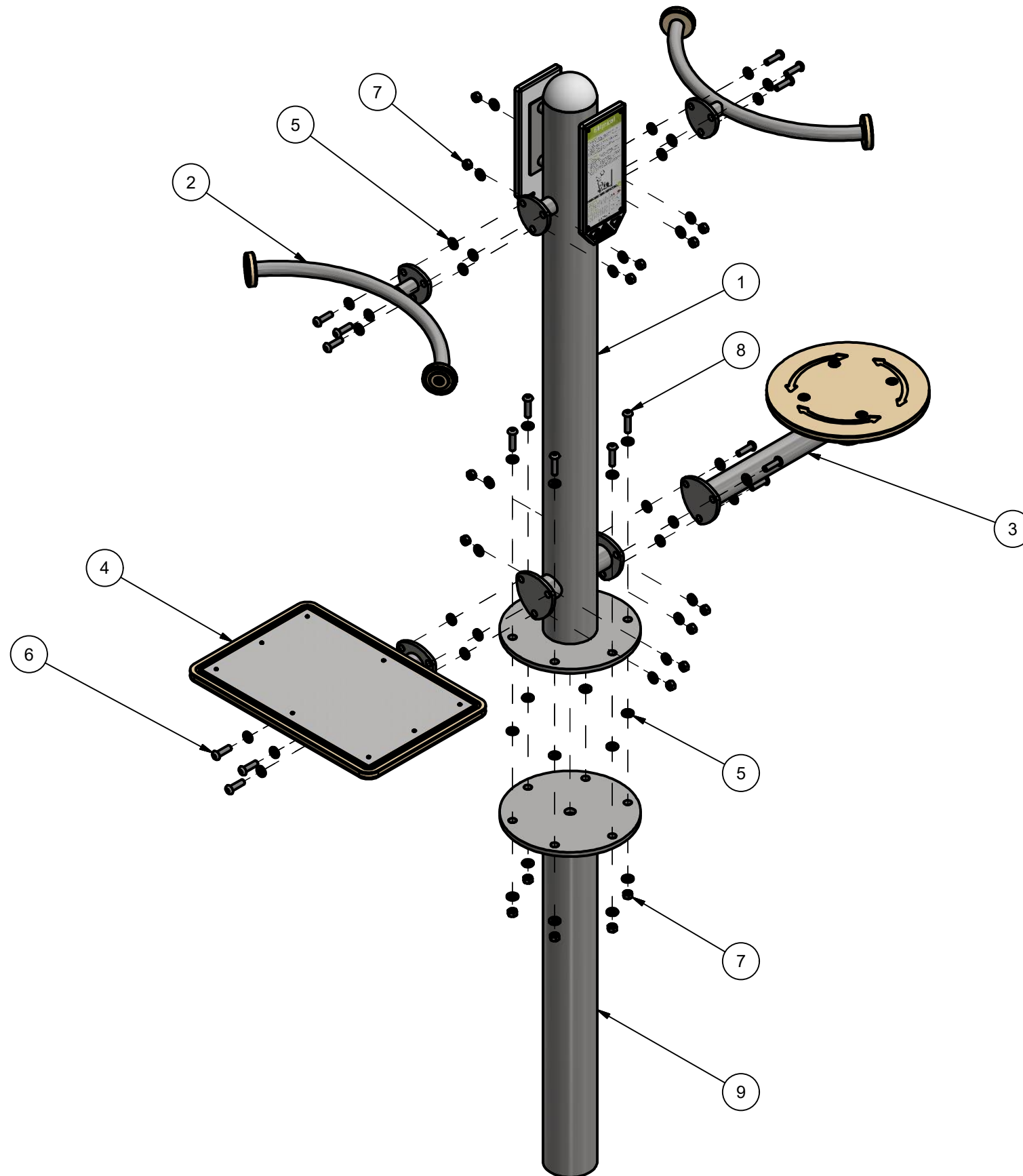
REVISED JAN. 2018

ALL DIMENSIONS ARE IN INCHES

SCALE 1:10

www.activefit.ca | 800-463-2361





Parts List			
Item	Product Number	Product Name	QTY
1	PST-000026	ActiveFit Lower Body Stretcher / Stepper Post	1
2	MTL-000311	ActiveFit Modular Handle Bar	2
3	MTL-000290	Lower Body Stretcher feet extension weldment	1
4	MTL-000314	Stepper Support Pipe	1
5	FAS-000035	1/2" Galvanized Steel Structural Flat Washer	54
6	FAS-000041	1/2"-13 x 1-3/4" ASTM F879 Hex Drive Grade 18-8 Stainless Steel Button Socket Cap Screw	12
7	FAS-000034	1/2"-13 SS Hex Nut	18
8	FAS-000033	1/2" x 13 x 2" SS Button Socket Cap Screw	6
9	FDN-000003	Concrete Post Extension (13" dia Plate w/ 5" Post)(No Gussets)	1

INSTALLATION DRAWING

PRODUCT NAME: ActiveFit Lower Body Stretcher / Stepper Combo

PRODUCT NUMBER: FIT-000043

REVISED JAN. 2018

ALL DIMENSIONS ARE IN INCHES

SCALE 1:12

www.activefit.ca | 800-463-2361

