

TRAINING ENVELOPE

61 REF

CLEARANCE SPACE

24

R12 TYP

48 REF

36

43



PLAN VIEW DRAWING

PRODUCT NAME: ActiveFit Lower Body Stretcher

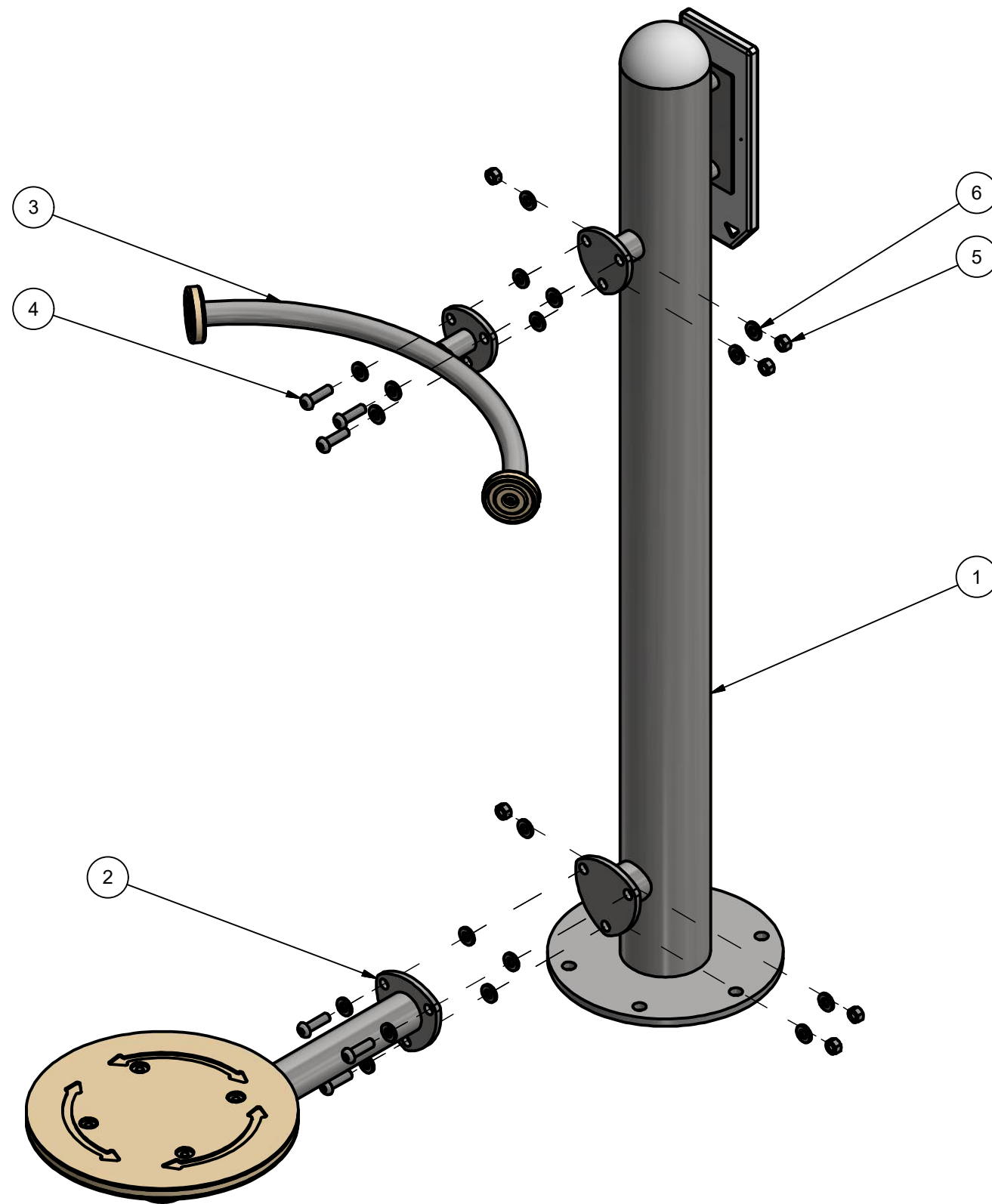
PRODUCT NUMBER: FIT-000036

REVISED JAN. 2018

ALL DIMENSIONS ARE IN INCHES

SCALE 1 : 12

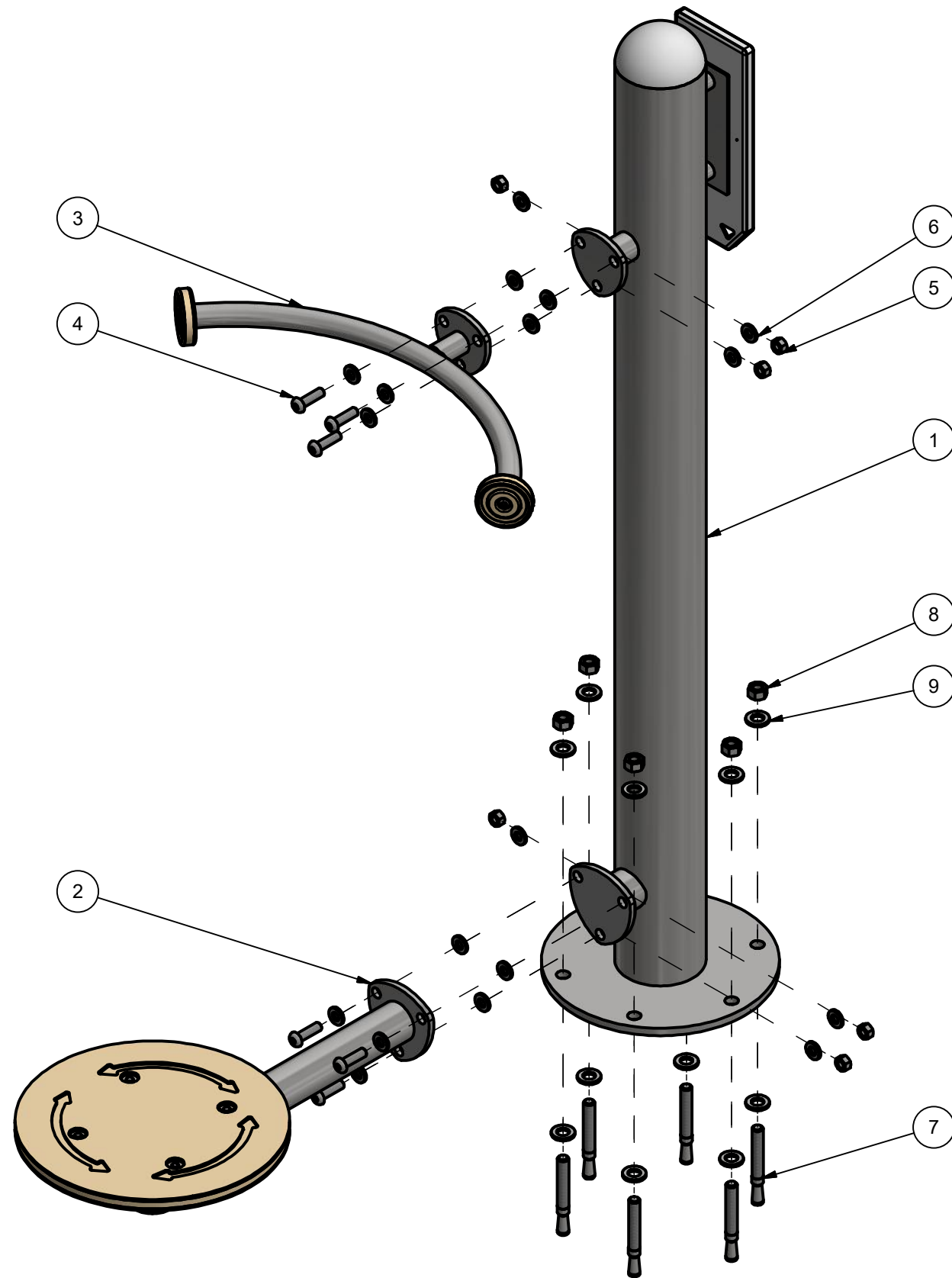
www.activefit.ca | 800-463-2361



| Parts List | | | |
|------------|----------------|---|-----|
| Item | Product Number | Product Name | QTY |
| 1 | MTL-000288 | ActiveFit Ø5" x 13 gauge x 5' post w/ Lower Body mount and sign | 1 |
| 2 | MTL-000290 | Lower Body Stretcher feet extension weldment | 1 |
| 3 | MTL-000311 | ActiveFit Modular Handle Bar | 1 |
| 4 | FAS-000041 | 1/2"-13 x 1-3/4" ASTM F879 Hex Drive Grade 18-8 Stainless Steel Button Socket Cap Screw | 6 |
| 5 | FAS-000034 | 1/2"-13 SS Hex Nut | 6 |
| 6 | FAS-000035 | 1/2" Galvanized Steel Structural Flat Washer | 18 |



| | |
|---|-------------------|
| ASSEMBLY DRAWING | |
| PRODUCT NAME: ActiveFit Lower Body Stretcher | |
| PRODUCT NUMBER: FIT-000036 | REVISED JAN. 2018 |
| ALL DIMENSIONS ARE IN INCHES | SCALE 1:8 |
| www.activefit.ca 800-463-2361 | |



Parts List

| Item | Product Number | Product Name | QTY |
|------|----------------|---|-----|
| 1 | MTL-000288 | ActiveFit Ø5" x 13 gauge x 5' post w/ Lower Body mount and sign | 1 |
| 2 | MTL-000290 | Lower Body Stretcher feet extension weldment | 1 |
| 3 | MTL-000311 | ActiveFit Modular Handle Bar | 1 |
| 4 | FAS-000041 | 1/2"-13 x 1-3/4" ASTM F879 Hex Drive Grade 18-8 Stainless Steel Button Socket Cap Screw | 6 |
| 5 | FAS-000034 | 1/2"-13 SS Hex Nut | 6 |
| 6 | FAS-000035 | 1/2" Galvanized Steel Structural Flat Washer | 18 |
| 7 | FAS-000014 | 5/8" x 5" Trubolt® 316 S/S Wedge Anchor | 6 |
| 8 | FAS-000015 | 5/8"-11 18-8 SS Hex Nut | 6 |
| 9 | FAS-000013 | 5/8" ASTM F436 Structural Flat Washer | 12 |

INSTALLATION DRAWING

PRODUCT NAME: ActiveFit Lower Body Stretcher

PRODUCT NUMBER: FIT-000036

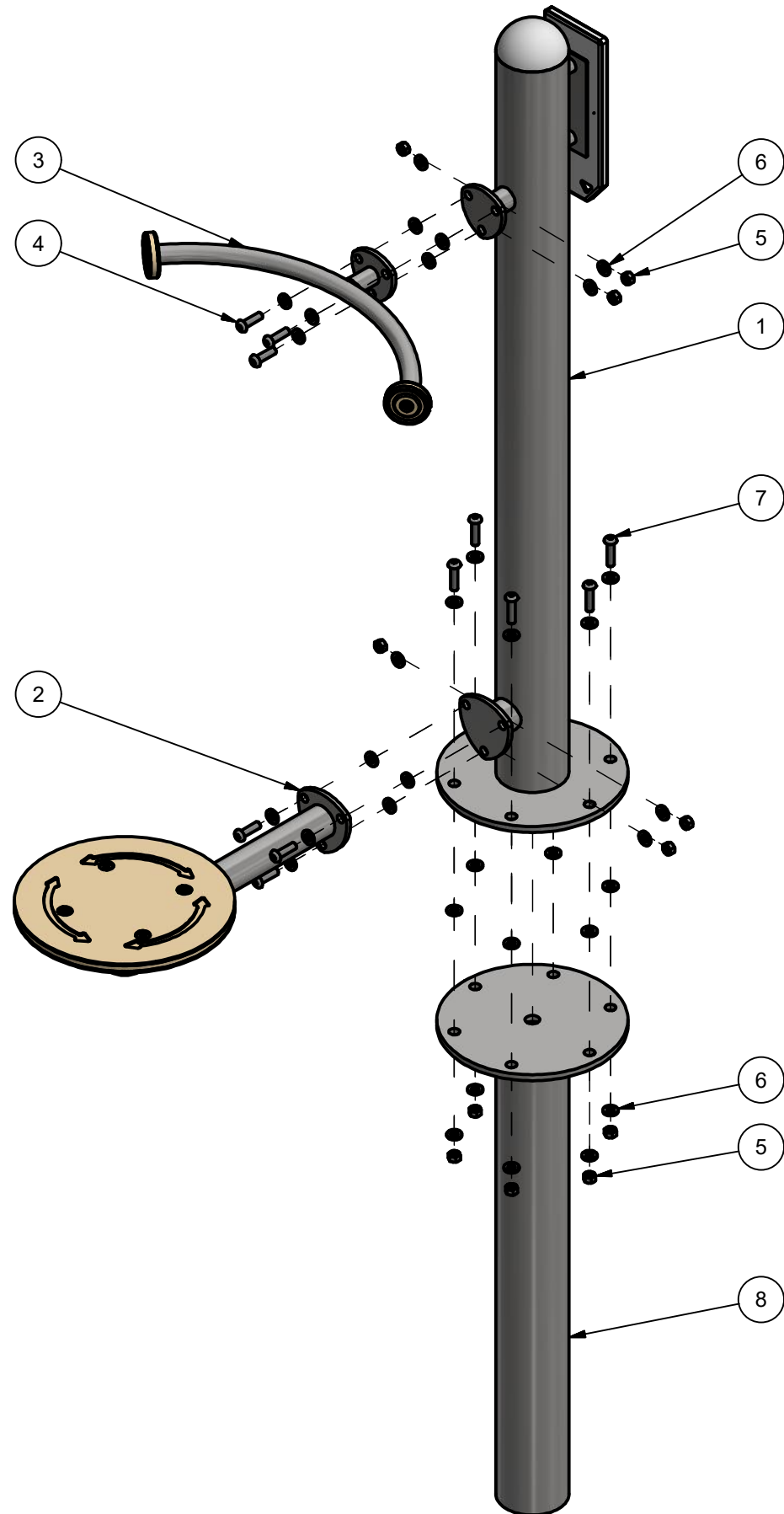
REVISED JAN. 2018

ALL DIMENSIONS ARE IN INCHES

SCALE 1:8

www.activefit.ca | 800-463-2361





| Parts List | | | |
|------------|----------------|---|-----|
| Item | Product Number | Product Name | QTY |
| 1 | MTL-000288 | ActiveFit Ø5" x 13 gauge x 5' post w/ Lower Body mount and sign | 1 |
| 2 | MTL-000290 | Lower Body Stretcher feet extension weldment | 1 |
| 3 | MTL-000311 | ActiveFit Modular Handle Bar | 1 |
| 4 | FAS-000041 | 1/2"-13 x 1-3/4" ASTM F879 Hex Drive Grade 18-8 Stainless Steel Button Socket Cap Screw | 6 |
| 5 | FAS-000034 | 1/2"-13 SS Hex Nut | 12 |
| 6 | FAS-000035 | 1/2" Galvanized Steel Structural Flat Washer | 36 |
| 7 | FAS-000033 | 1/2" x 13 x 2" SS Button Socket Cap Screw | 6 |
| 8 | FDN-000003 | Concrete Post Extension (13" dia Plate w/ 5" Post)(No Gussets) | 1 |



| | |
|---|-------------------|
| INSTALLATION DRAWING | |
| PRODUCT NAME: ActiveFit Lower Body Stretcher | |
| PRODUCT NUMBER: FIT-000036 | REVISED JAN. 2018 |
| ALL DIMENSIONS ARE IN INCHES | SCALE 1:11 |
| www.activefit.ca 800-463-2361 | |