

TRAINING ENVELOPE

102 REF

CLEARANCE SPACE

R12 TYP

36

56 REF

28

51

51



PLAN VIEW DRAWING

PRODUCT NAME: ActiveFit Knee Lift / Stepper Combo

PRODUCT NUMBER: FIT-000041

REVISED JAN. 2018

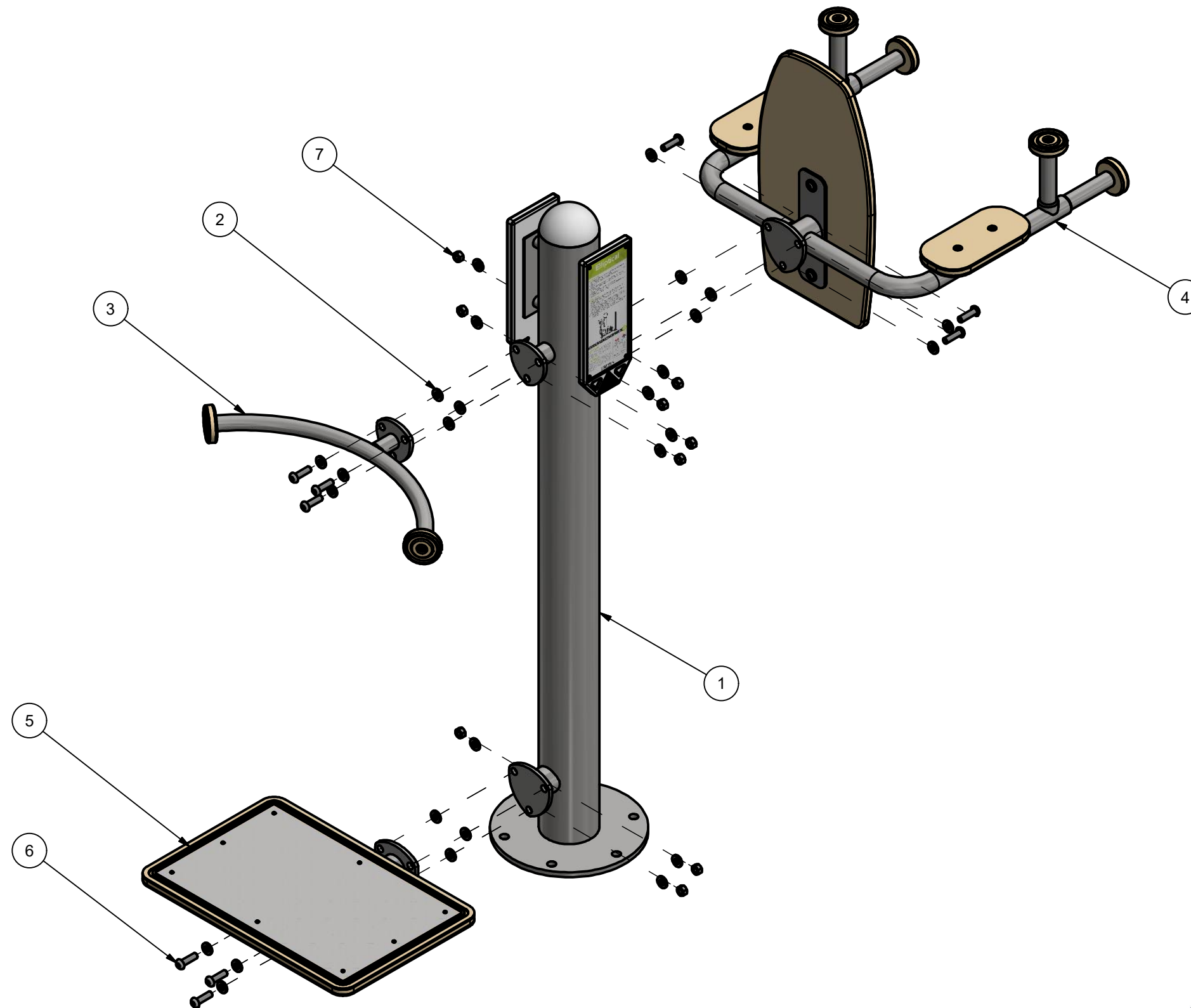
ALL DIMENSIONS ARE IN INCHES

SCALE 1 : 16

[www.activefit.ca](http://www.activefit.ca) | 800-463-2361

Parts List

Item	Product Number	Product Name	QTY
1	PST-000025	ActiveFit Knee Lift / Stepper Post	1
2	FAS-000035	1/2" Galvanized Steel Structural Flat Washer	27
3	MTL-000311	ActiveFit Modular Handle Bar	1
4	MTL-000258	Kneelift weldment	1
5	MTL-000314	Stepper Support Pipe	1
6	FAS-000041	1/2"-13 x 1-3/4" ASTM F879 Hex Drive Grade 18-8 Stainless Steel Button Socket Cap Screw	9
7	FAS-000034	1/2"-13 SS Hex Nut	9



NOTE:  
APPLY LOCKTITE TO BOLTS WHEN ASSEMBLING



ASSEMBLY DRAWING

PRODUCT NAME: ActiveFit Knee Lift / Stepper Combo

PRODUCT NUMBER: FIT-000041

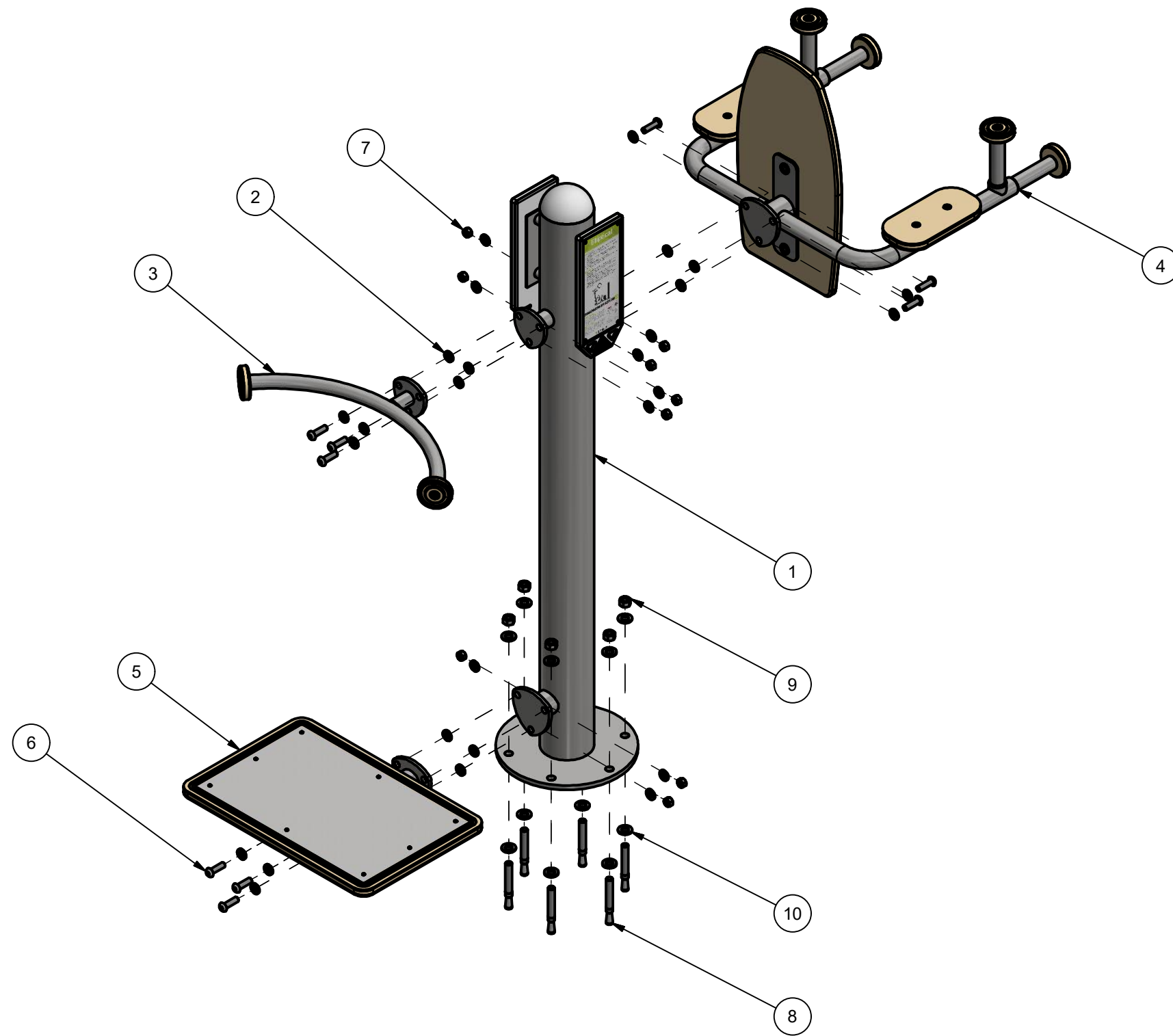
REVISED JAN. 2018

ALL DIMENSIONS ARE IN INCHES

SCALE 1:10

[www.activefit.ca](http://www.activefit.ca) | 800-463-2361

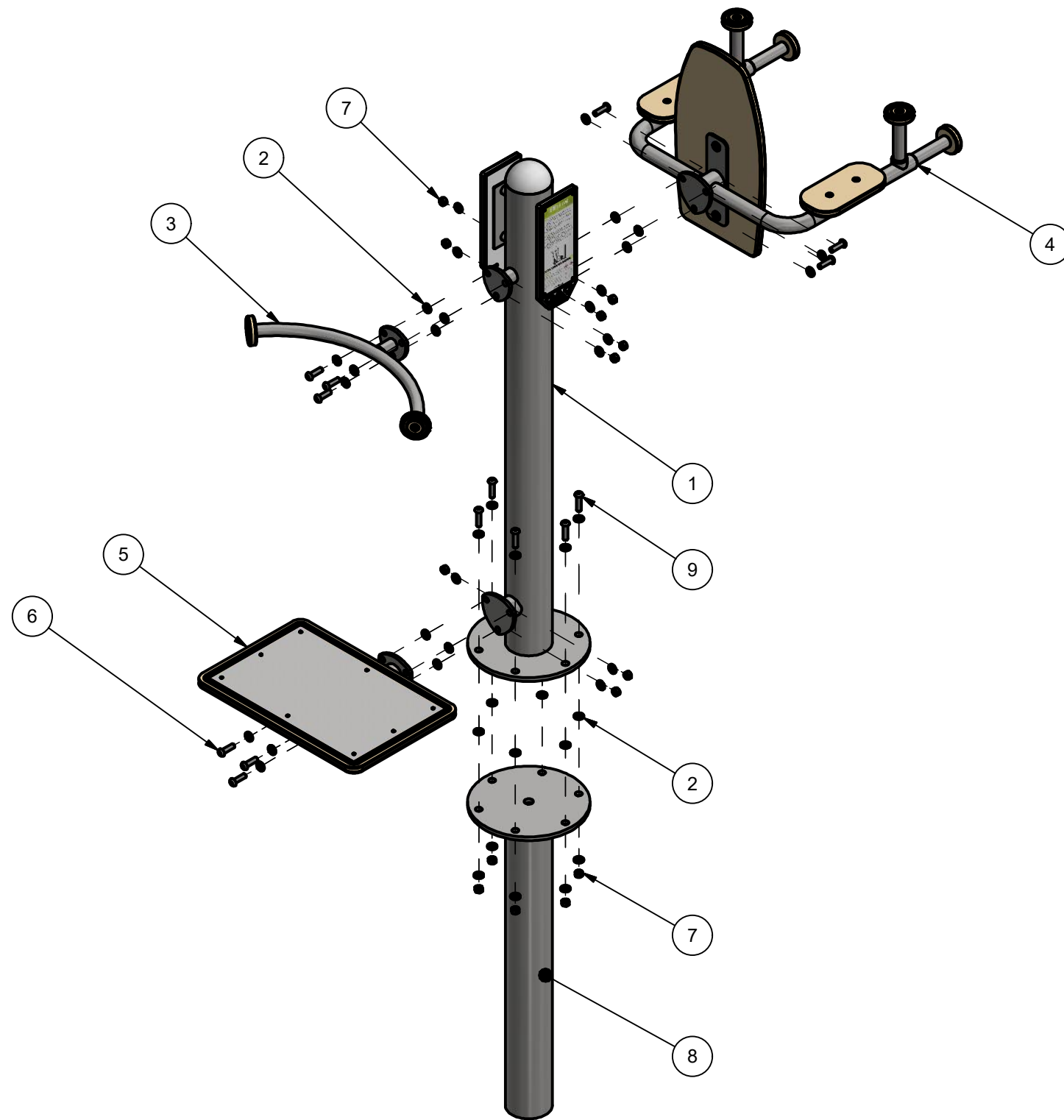
Parts List			
Item	Product Number	Product Name	QTY
1	PST-000025	ActiveFit Knee Lift / Stepper Post	1
2	FAS-000035	1/2" Galvanized Steel Structural Flat Washer	27
3	MTL-000311	ActiveFit Modular Handle Bar	1
4	MTL-000258	Kneelift weldment	1
5	MTL-000314	Stepper Support Pipe	1
6	FAS-000041	1/2"-13 x 1-3/4" ASTM F879 Hex Drive Grade 18-8 Stainless Steel Button Socket Cap Screw	9
7	FAS-000034	1/2"-13 SS Hex Nut	9
8	FAS-000014	5/8" x 5" Trubolt® 316 S/S Wedge Anchor	6
9	FAS-000015	5/8"-11 18-8 SS Hex Nut	6
10	FAS-000013	5/8" ASTM F436 Structural Flat Washer	12



NOTE:  
APPLY LOCKTITE TO BOLTS WHEN ASSEMBLING



INSTALLATION DRAWING	
PRODUCT NAME: ActiveFit Knee Lift / Stepper Combo	
PRODUCT NUMBER: FIT-000041	REVISED JAN. 2018
ALL DIMENSIONS ARE IN INCHES	SCALE 1:12
<a href="http://www.activefit.ca">www.activefit.ca</a>   800-463-2361	



Parts List			
Item	Product Number	Product Name	QTY
1	PST-000025	ActiveFit Knee Lift / Stepper Post	1
2	FAS-000035	1/2" Galvanized Steel Structural Flat Washer	45
3	MTL-000311	ActiveFit Modular Handle Bar	1
4	MTL-000258	Kneelift weldment	1
5	MTL-000314	Stepper Support Pipe	1
6	FAS-000041	1/2"-13 x 1-3/4" ASTM F879 Hex Drive Grade 18-8 Stainless Steel Button Socket Cap Screw	9
7	FAS-000034	1/2"-13 SS Hex Nut	15
8	FDN-000003	Concrete Post Extension (13" dia Plate w/ 5" Post)(No Gussets)	1
9	FAS-000033	1/2" x 13 x 2" SS Button Socket Cap Screw	6

NOTE:  
APPLY LOCKTITE TO BOLTS WHEN ASSEMBLING



INSTALLATION DRAWING	
PRODUCT NAME: ActiveFit Knee Lift / Stepper Combo	
PRODUCT NUMBER: FIT-000041	REVISED JAN. 2018
ALL DIMENSIONS ARE IN INCHES	SCALE 1:15
<a href="http://www.activefit.ca">www.activefit.ca</a>   800-463-2361	