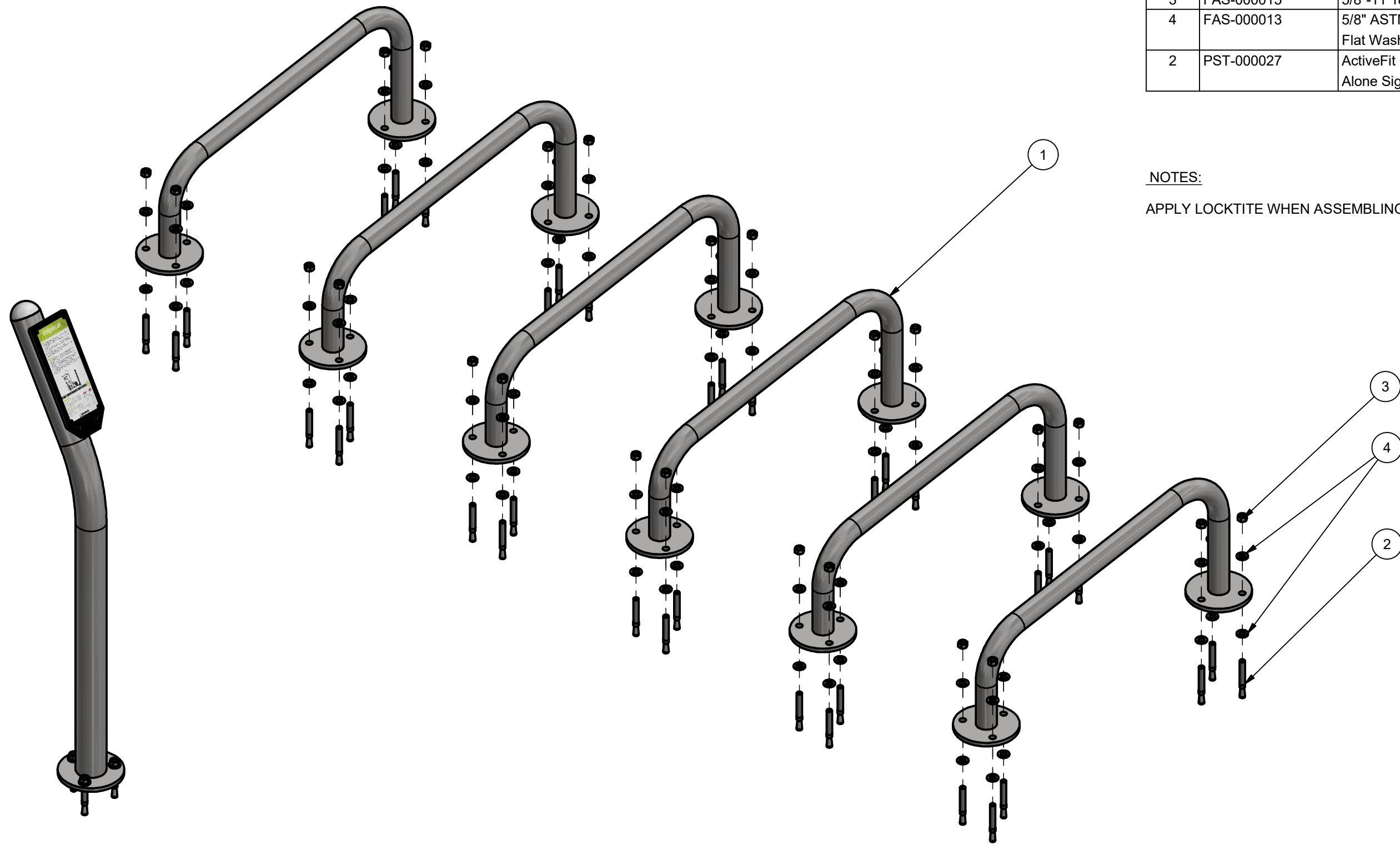


TRAINING ENVELOPE
CLEARANCE SPACE

NOTES:
HIGH SIDE OF HURDLES INDICATED BY NOTE MARKER (A)



PLAN VIEW DRAWING	
PRODUCT NAME: ActiveFit Hurdles	
PRODUCT NUMBER: FIT-000032	REVISED JAN. 2018
ALL DIMENSIONS ARE IN INCHES	SCALE 1 : 24
www.activefit.ca 800-463-2361	

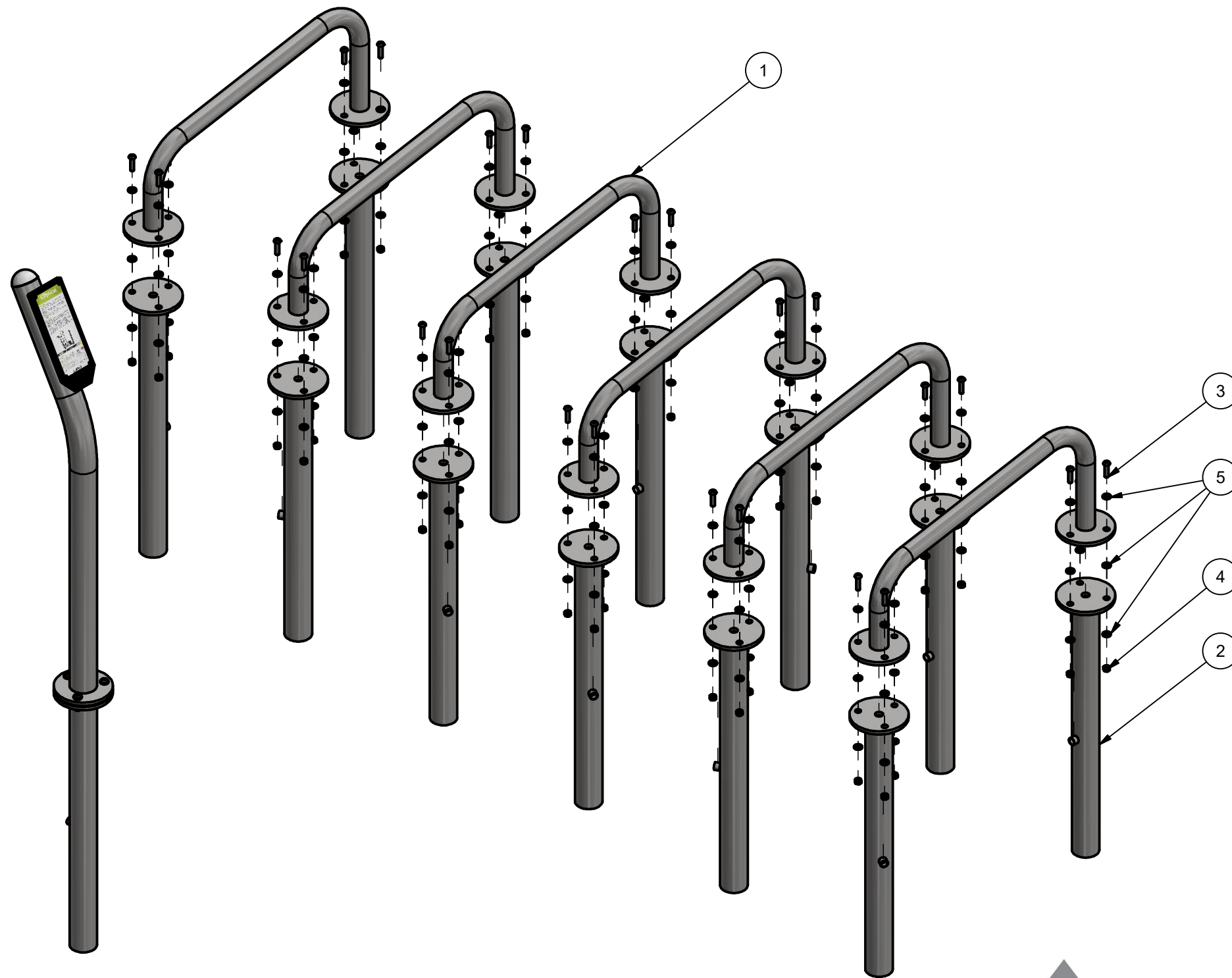


Parts List			
Item	Product Number	Product Name	QTY
1	MTL-000276	ActiveFit Hurdle Bar	6
2	FAS-000014	5/8" x 5" Trubolt® 316 S/S Wedge Anchor	39
3	FAS-000015	5/8"-11 18-8 SS Hex Nut	39
4	FAS-000013	5/8" ASTM F436 Structural Flat Washer	78
2	PST-000027	ActiveFit Ø3.5" Stand Alone Sign Post	1

NOTES:
 APPLY LOCKTITE WHEN ASSEMBLING



INSTALLATION DRAWING	
PRODUCT NAME: ActiveFit Hurdles	
PRODUCT NUMBER: FIT-000032	REVISED JAN. 2018
ALL DIMENSIONS ARE IN INCHES	SCALE 1 : 12
www.activefit.ca 800-463-2361	



Parts List			
Item	Product Number	Product Name	QTY
1	MTL-000276	ActiveFit Hurdle Bar	6
2	FDN-000004	Concrete Post Extension (7 1/2" dia Plate w/ 3 1/2" Post)(No Gussets)	13
3	FAS-000033	1/2" x 13 x 2" SS Button Socket Cap Screw	39
4	FAS-000034	1/2"-13 SS Hex Nut	39
5	FAS-000035	1/2" Galvanized Steel Structural Flat Washer	117
2	PST-000027	ActiveFit Ø3.5" Stand Alone Sign Post	1

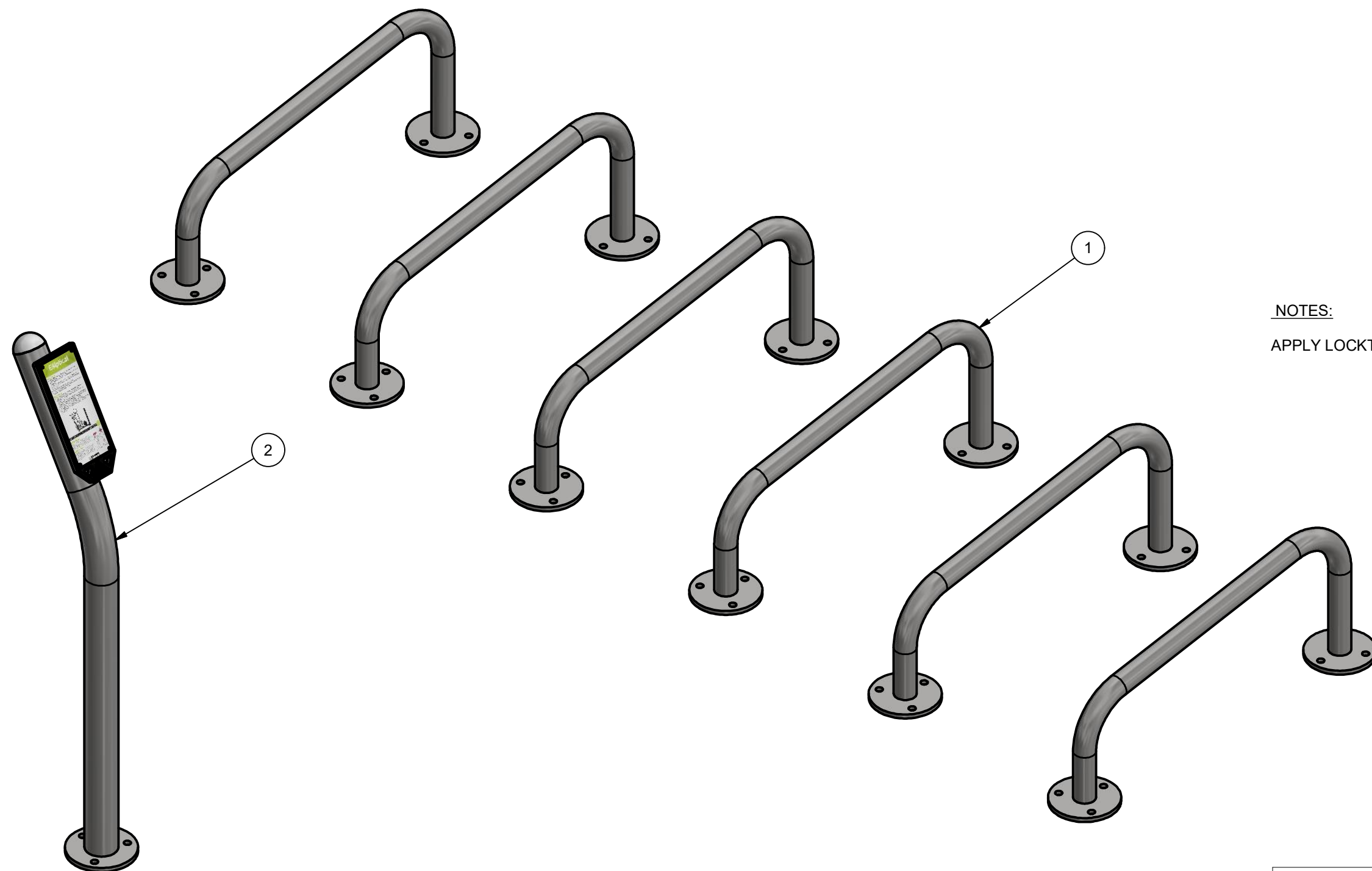
NOTES:

APPLY LOCKTITE WHEN ASSEMBLING



INSTALLATION DRAWING	
PRODUCT NAME: ActiveFit Hurdles	
PRODUCT NUMBER: FIT-000032	REVISED JAN. 2018
ALL DIMENSIONS ARE IN INCHES	SCALE 1 : 16
www.activefit.ca 800-463-2361	

Parts List			
Item	Product Number	Product Name	QTY
1	MTL-000276	ActiveFit Hurdle Bar	6
2	PST-000027	ActiveFit Ø3.5" Stand Alone Sign Post	1



NOTES:
 APPLY LOCKTITE WHEN ASSEMBLING



ASSEMBLY DRAWING	
PRODUCT NAME: ActiveFit Hurdles	
PRODUCT NUMBER: FIT-000032	REVISED JAN. 2018
ALL DIMENSIONS ARE IN INCHES	SCALE 1 : 12
www.activefit.ca 800-463-2361	