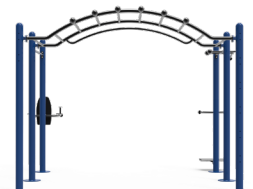
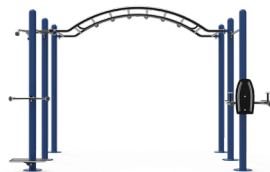
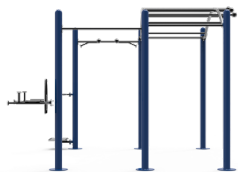


# CROSS FIT

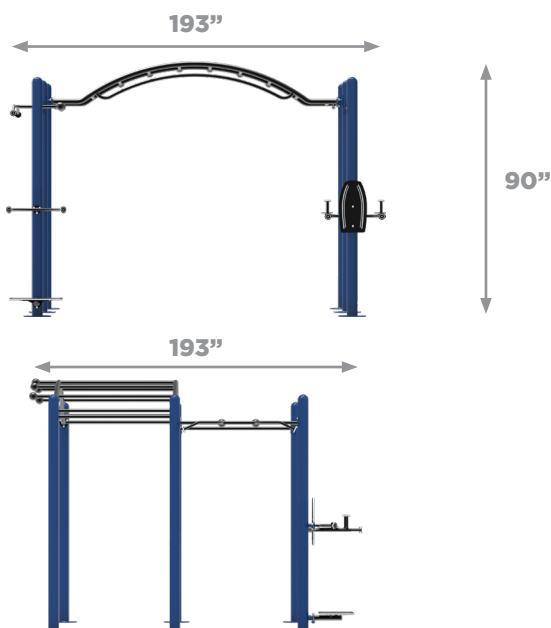
Age Group: 13+

Number of Users: 6x



## SPECIFICATIONS

<b>Length:</b>	193 in
<b>Width:</b>	193 in
<b>Height:</b>	90 in



## MATERIALS

- Powder coated, galvanized steel
- Tamper-proof 316 grade, stainless steel fasteners
- 3/4" (1.9cm) anti-static, high density polyethylene (HDPE), with UV stabilizers

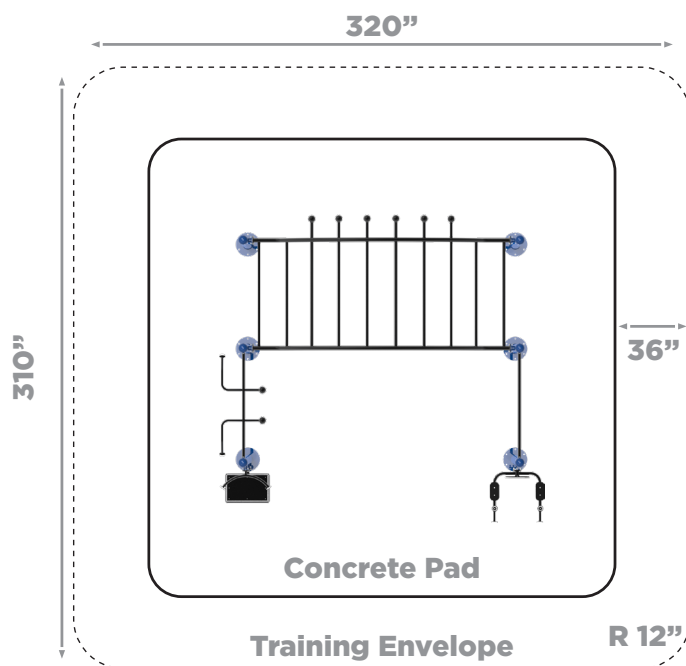


**For a more custom look, choose from one of our preset colour schemes, or speak with one of our experienced sales representatives to determine the best colour combination for your product.**

## INSTALLATION

### Installation Options: **Concrete Pad Dimensions:**

- ✓ Post in Concrete
  - ✓ Surface Mount
- Length: 310 in / 788 cm  
Width: 320 in / 813 cm



## WARRANTY Visit [activefit.ca](http://activefit.ca) for complete

### 10 Year Limited Warranty:

- Metal support posts and non-moving secondary metal structural frames, including welds.
- High density polyethylene (HDPE) and rotational molded components including seats, back rests, foot pads, pedals and hand grips
- Powder coated and painted finishes

### 2 Year Limited Warranty

- Moving metal components
- Pivot point shafts, bearings and bushings
- Ropes and cables

\*Active Playground Equipment has a policy of continuous product improvement for the benefit of our customers. We reserve the right to redesign, change specifications or discontinue products without written notice. Products on our website, in our printed literature and detailed in our quotations may differ from what is available at the time an order is placed. Please check with your Active Playground representative to confirm that the product you will receive is what you are expecting. Revised January 2018.