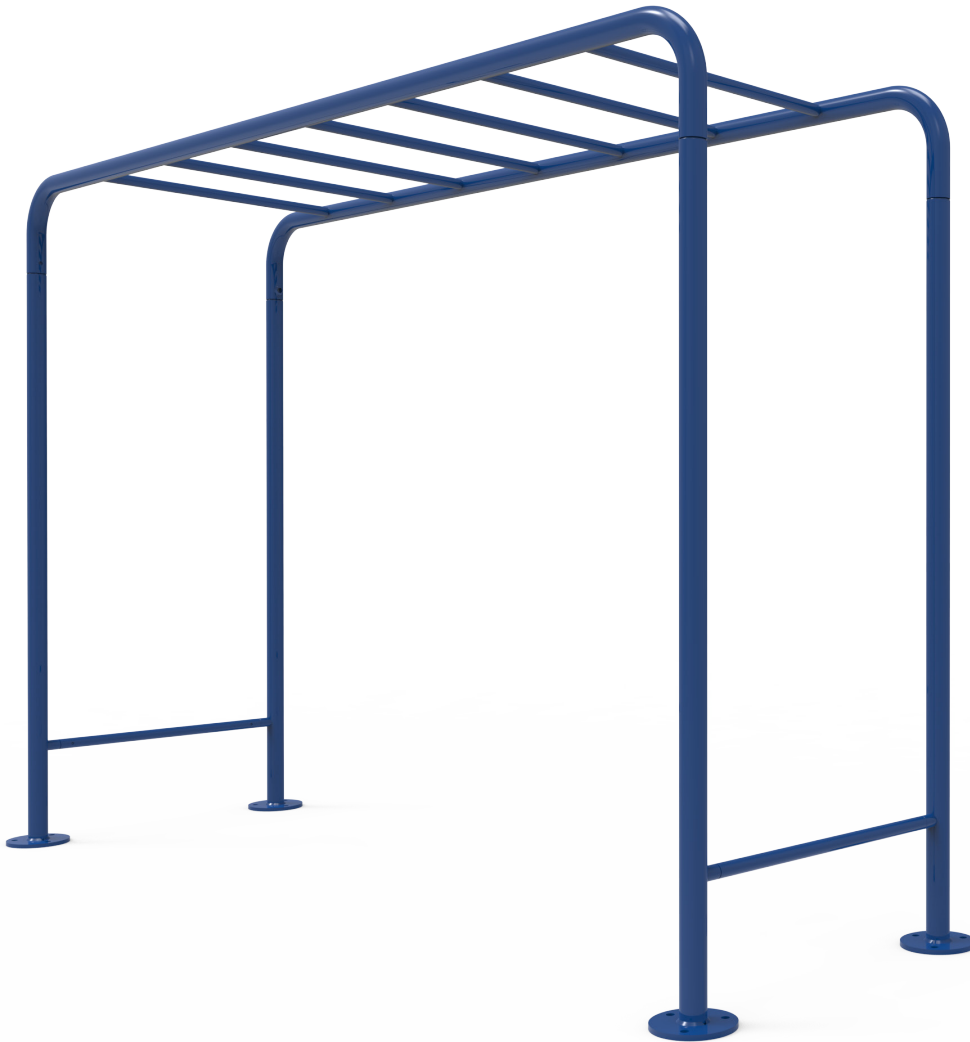


CLIMBER

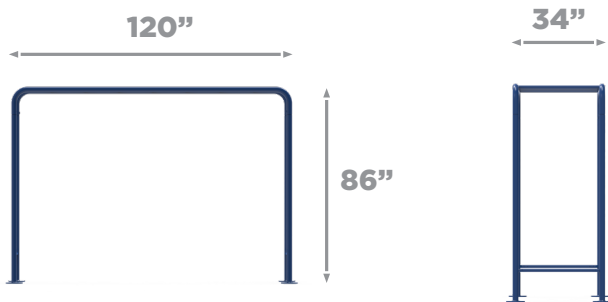
Age Group: 13+

Number of Users: 4x 



SPECIFICATIONS

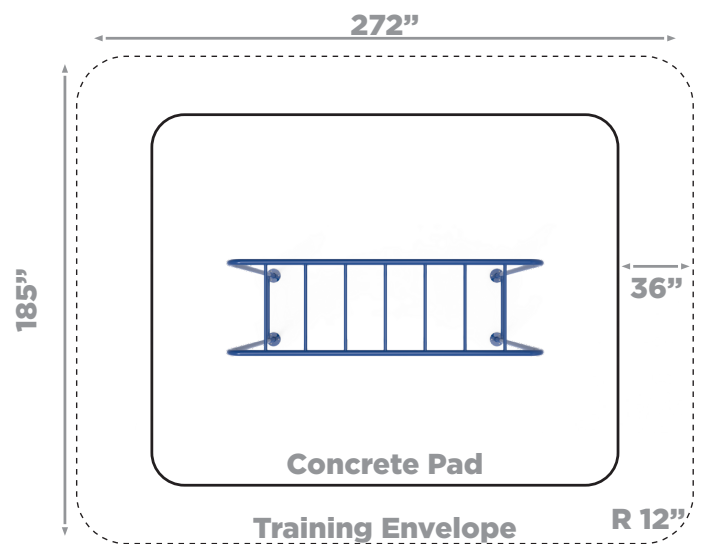
Length:	120 in
Width:	34 in
Height:	86 in



INSTALLATION

Installation Options: **Concrete Pad Dimensions:**

- ✓ Post in Concrete Length: 272 in / 691 cm
- ✓ Surface Mount Width: 185 in / 470 cm



MATERIALS

- Powder coated, galvanized steel
- Tamper-proof 316 grade, stainless steel fasteners
- 3/4" (1.9cm) anti-static, high density polyethylene (HDPE), with UV stabilizers

WARRANTY Visit activefit.ca for complete

10 Year Limited Warranty:

- Metal support posts and non-moving secondary metal structural frames, including welds.
- High density polyethylene (HDPE) and rotational molded components including seats, back rests, foot pads, pedals and hand grips
- Powder coated and painted finishes

2 Year Limited Warranty

- Moving metal components
- Pivot point shafts, bearings and bushings
- Ropes and cables

For a more custom look, choose from one of our preset colour schemes, or speak with one of our experienced sales representatives to determine the best colour combination for your product.

*Active Playground Equipment has a policy of continuous product improvement for the benefit of our customers. We reserve the right to redesign, change specifications or discontinue products without written notice. Products on our website, in our printed literature and detailed in our quotations may differ from what is available at the time an order is placed. Please check with your Active Playground representative to confirm that the product you will receive is what you are expecting. Revised January 2018.