

TRAINING ENVELOPE

CLEARANCE SPACE

72 REF

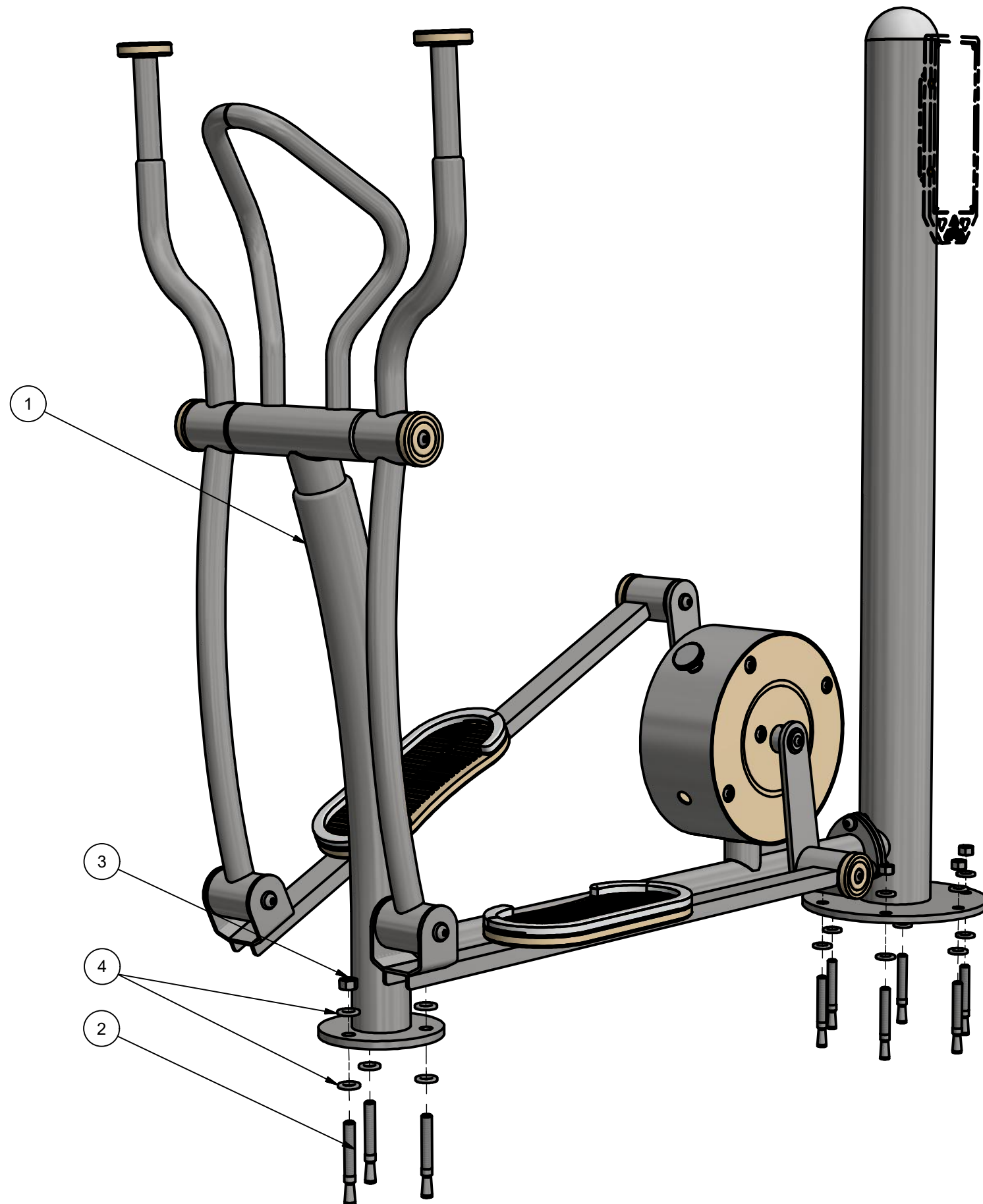
108 REF

36

36



PLAN VIEW DRAWING	
PRODUCT NAME: ActiveFit Cross Country Skier	
PRODUCT NUMBER: FIT-000015	
ALL DIMENSIONS ARE IN INCHES	SCALE 1 : 16
<a href="http://www.activefit.ca">www.activefit.ca</a>   800-463-2361	

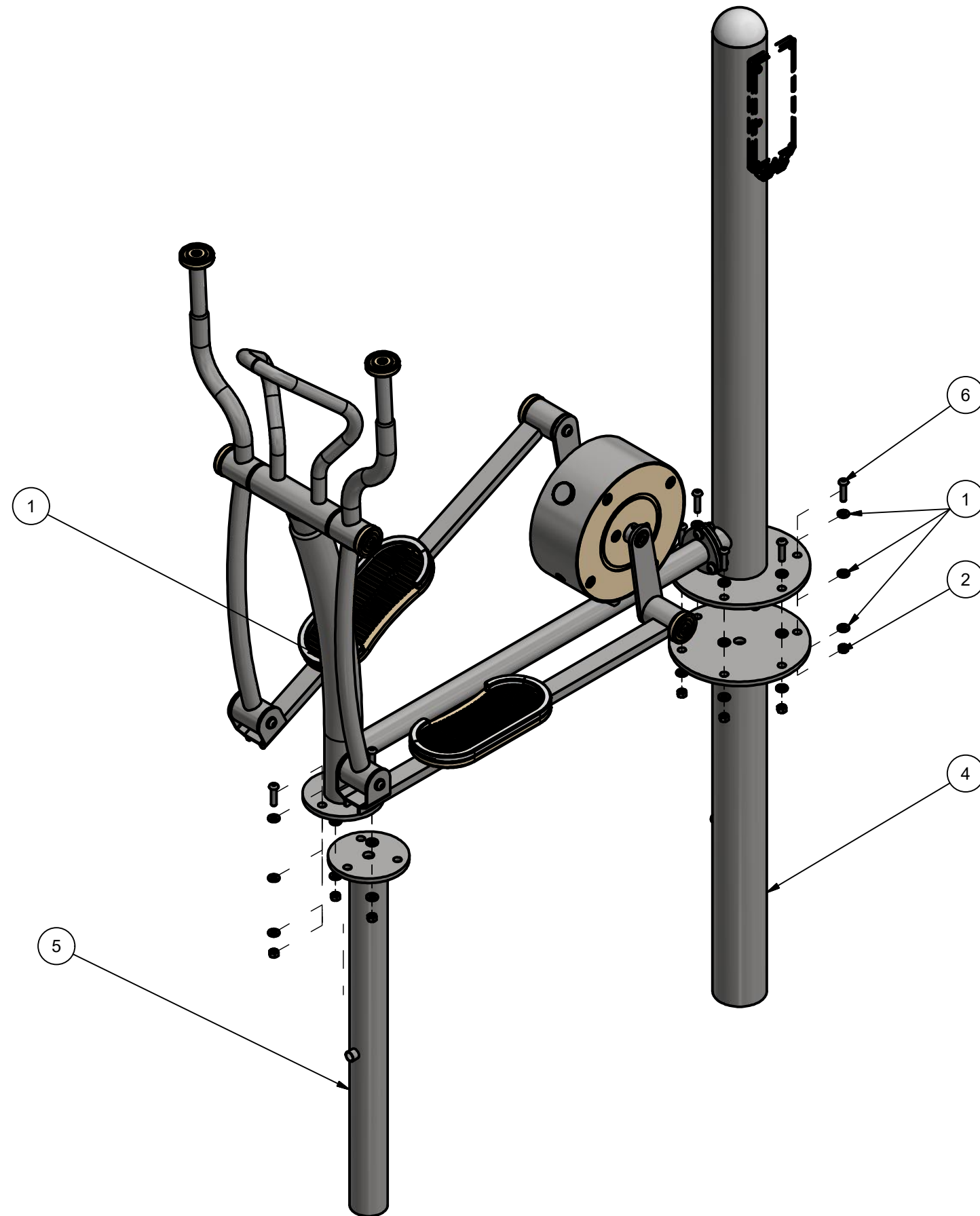


Parts List			
Item	Product Number	Product Name	QTY
1	FIT-000014	ActiveFit Elliptical	1
2	FAS-000014	5/8" x 5" Trubolt® 316 S/S Wedge Anchor	9
3	FAS-000015	5/8"-11 18-8 SS Hex Nut	9
4	FAS-000013	5/8" ASTM F436 Structural Flat Washer	18

NOTE:  
APPLY LOCKTITE TO BOLTS WHEN ASSEMBLING



INSTALLATION DRAWING	
PRODUCT NAME: ActiveFit Elliptical	
PRODUCT NUMBER: FIT-000014	REVISED JAN. 2018
ALL DIMENSIONS ARE IN INCHES	SCALE 1 : 8
<a href="http://www.activefit.ca">www.activefit.ca</a>   800-463-2361	

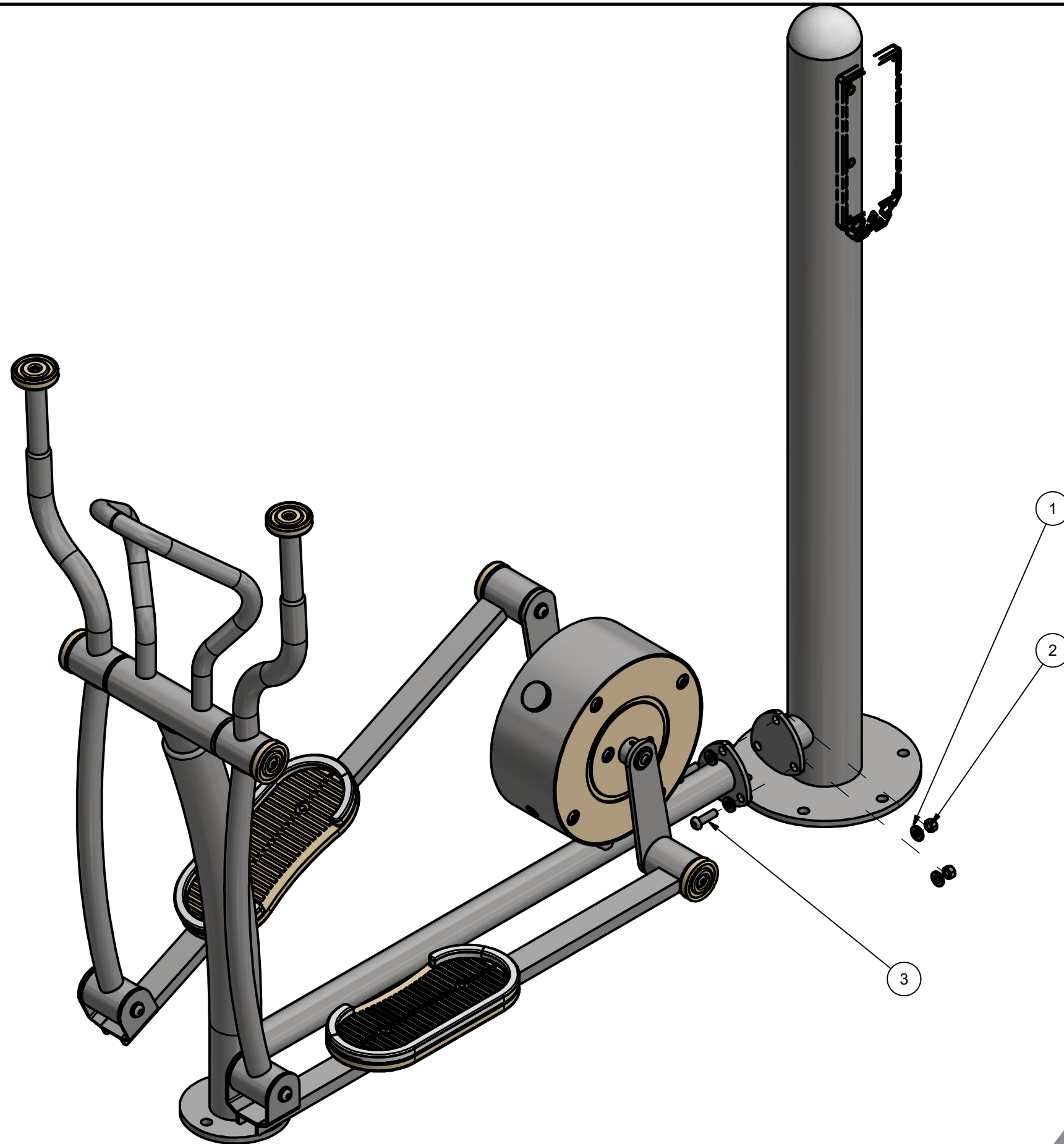


Parts List			
Item	Product Number	Product Name	QTY
1	FIT-000014	ActiveFit Elliptical	1
1	FAS-000035	1/2" Galvanized Steel Structural Flat Washer	27
2	FAS-000034	1/2"-13 SS Hex Nut	9
4	FDN-000003	Concrete Post Extension (13" dia Plate w/ 5" Post)(No Gussets)	1
5	FDN-000004	Concrete Post Extension (7 1/2" dia Plate w/ 3 1/2" Post)(No Gussets)	1
6	FAS-000033	1/2" x 13 x 2" SS Button Socket Cap Screw	9

NOTE:  
APPLY LOCKTITE TO BOLTS WHEN ASSEMBLING



INSTALLATION DRAWING	
PRODUCT NAME: ActiveFit Elliptical	
PRODUCT NUMBER: FIT-000014	REVISED JAN. 2018
ALL DIMENSIONS ARE IN INCHES	SCALE 1 : 12
<a href="http://www.activefit.ca">www.activefit.ca</a>   800-463-2361	



Parts List			
Item	Product Number	Product Name	QTY
1	FAS-000035	1/2" Galvanized Steel Structural Flat Washer	9
2	FAS-000034	1/2"-13 SS Hex Nut	3
3	FAS-000041	1/2"-13 x 1-3/4" ASTM F879 Hex Drive Grade 18-8 Stainless Steel Button Socket Cap Screw	3

NOTE:  
APPLY LOCKTITE TO BOLTS WHEN ASSEMBLING



ASSEMBLY DRAWING	
PRODUCT NAME: ActiveFit Elliptical	
PRODUCT NUMBER: FIT-000014	REVISED JAN. 2018
ALL DIMENSIONS ARE IN INCHES	SCALE 1 : 8
<a href="http://www.activefit.ca">www.activefit.ca</a>   800-463-2361	