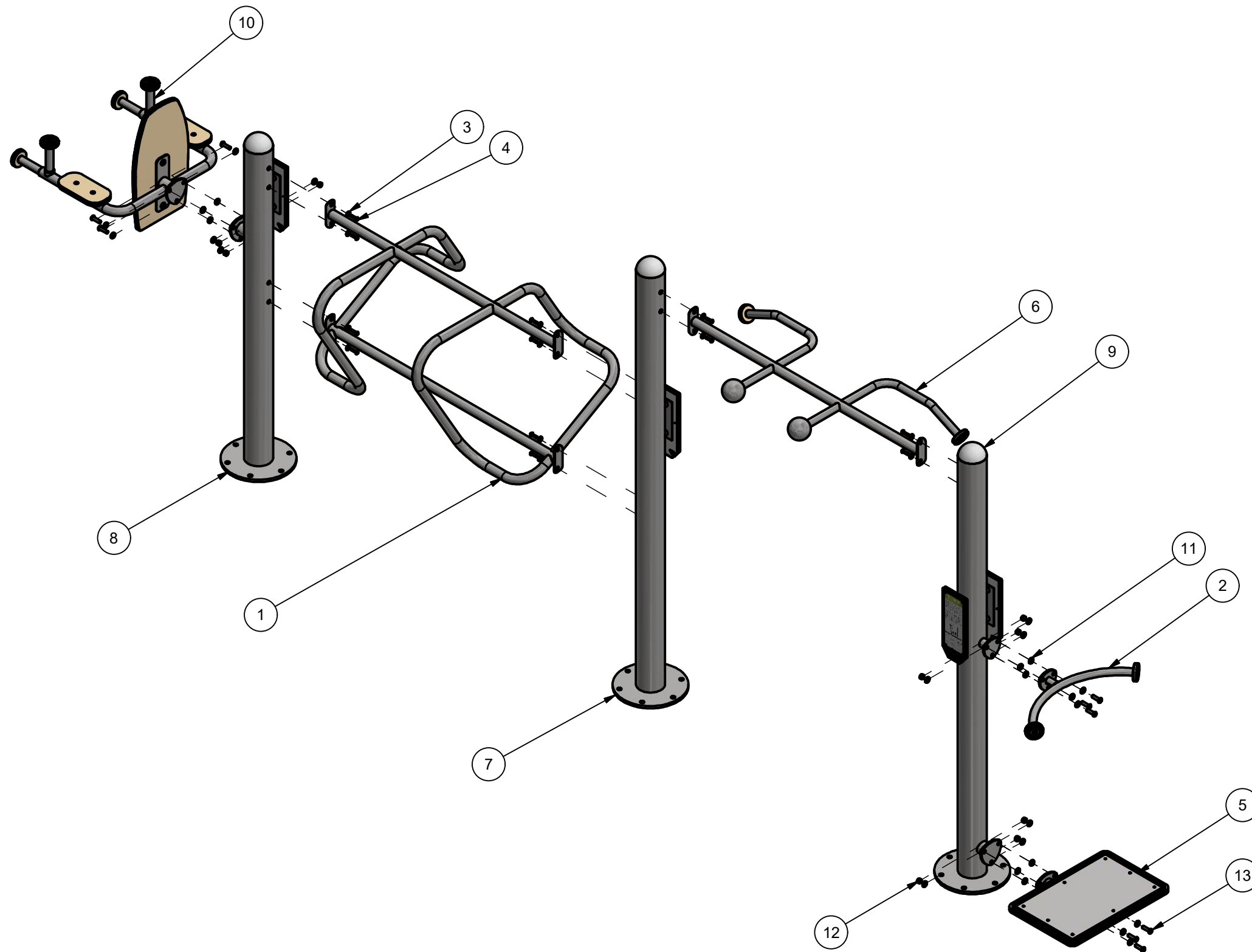


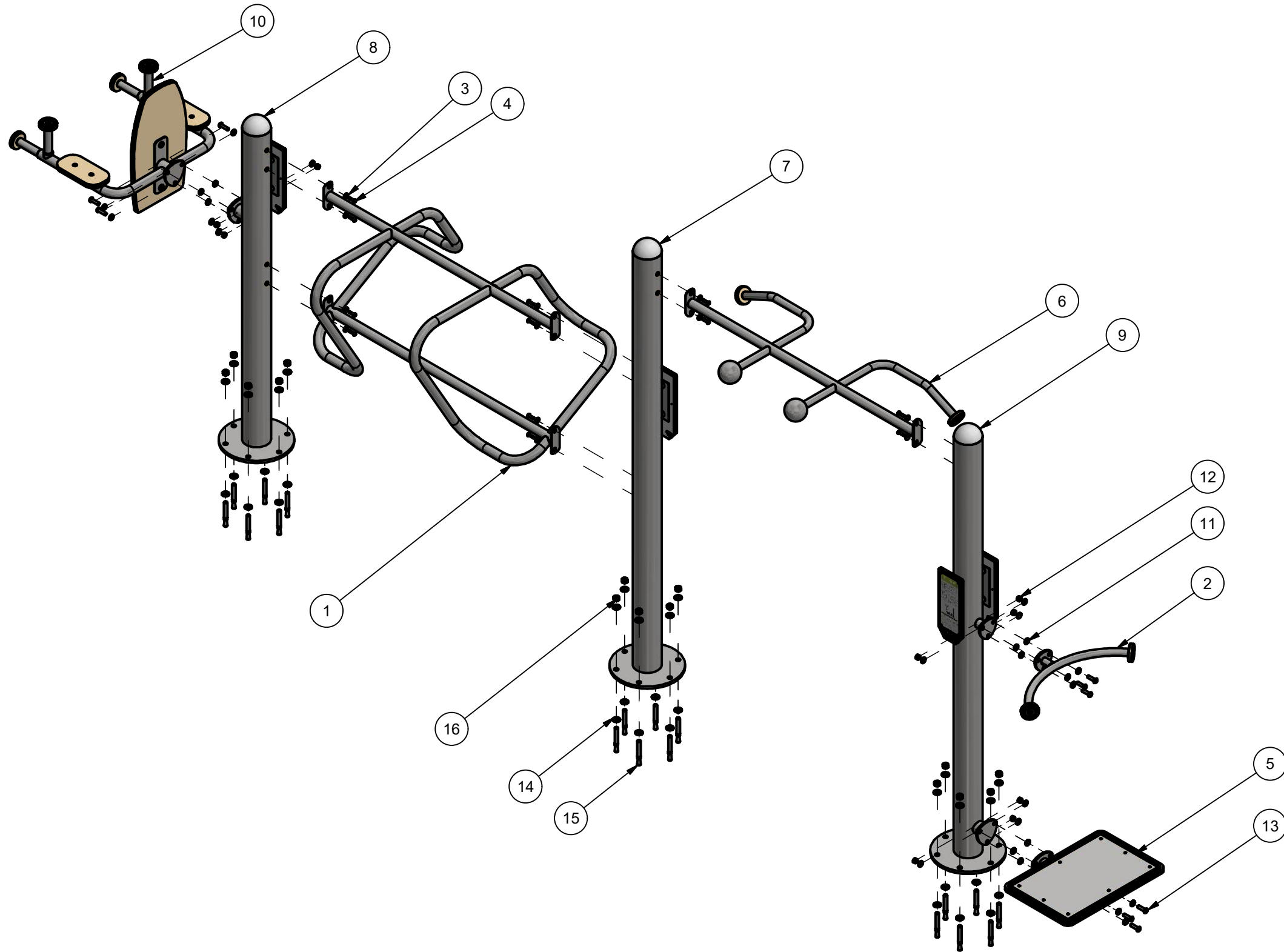
PLAN VIEW DRAWING	
PRODUCT NAME: ActiveFit Challenge Circuit	
PRODUCT NUMBER: FIT-000045	REVISED AUG. 2018
ALL DIMENSIONS ARE IN INCHES	SCALE 1 : 32
www.activefit.ca 800-463-2361	



Parts List			
Item	Product Number	Product Name	QTY
1	MTL-000177	Multi Position Dip Bar	1
2	MTL-000311	ActiveFit Modular Handle Bar	1
3	FAS-000005	3/8" ID x 1" OD Flat SS Washer	12
4	FAS-000002	3/8"-16 X 1 1/4" : Six Lobe Bolt (TORX TAMPER RESISTANT Bolts)	12
5	MTL-000314	Stepper Support Pipe	1
6	OVH-000001	ActiveFit Multi-Grip Pull Up Bar	1
7	PST-000014	ActiveFit Pull-Up/Dip Post. With Mounting Holes for Fitness Use Sign (Bar Height 82 inches)	1
8	PST-000032	ActiveFit Ø5" x 13 gauge x 65.5" Modular Post w/ Sign Connector 46" from Grade	1
9	PST-000033	ActiveFit Pull-Up/Stepper Post w/ Mounting Holes for Fitness Use Sign	1
10	MTL-000258	Kneelift weldment	1
11	FAS-000035	1/2" Galvanized Steel Structural Flat Washer	27
12	FAS-000034	1/2"-13 SS Hex Nut	9
13	FAS-000041	1/2"-13 x 1-3/4" ASTM F879 Hex Drive Grade 18-8 Stainless Steel Button Socket Cap Screw	9



ASSEMBLY DRAWING	
PRODUCT NAME: ActiveFit Challenge Circuit	
PRODUCT NUMBER: FIT-000045	
ALL DIMENSIONS ARE IN INCHES	SCALE 1:20
www.activefit.ca 800-463-2361	



Parts List

Item	Product Number	Product Name	QTY
1	MTL-000177	Multi Position Dip Bar	1
2	MTL-000311	ActiveFit Modular Handle Bar	1
3	FAS-000005	3/8" ID x 1" OD Flat SS Washer	12
4	FAS-000002	3/8"-16 X 1 1/4" : Six Lobe Bolt (TORX TAMPER RESISTANT Bolts)	12
5	MTL-000314	Stepper Support Pipe	1
6	OVH-000001	ActiveFit Multi-Grip Pull Up Bar	1
7	PST-000014	ActiveFit Pull-Up/Dip Post. With Mounting Holes for Fitness Use Sign (Bar Height 82 inches)	1
8	PST-000032	ActiveFit Ø5" x 13 gauge x 65.5" Modular Post w/ Sign Connector 46" from Grade	1
9	PST-000033	ActiveFit Pull-Up/Stepper Post w/ Mounting Holes for Fitness Use Sign	1
10	MTL-000258	Kneelift weldment	1
11	FAS-000035	1/2" Galvanized Steel Structural Flat Washer	27
12	FAS-000034	1/2"-13 SS Hex Nut	9
13	FAS-000041	1/2"-13 x 1-3/4" ASTM F879 Hex Drive Grade 18-8 Stainless Steel Button Socket Cap Screw	9
14	FAS-000013	5/8" ASTM F436 Structural Flat Washer	36
15	FAS-000014	5/8" x 5" Trubolt® 316 S/S Wedge Anchor	18
16	FAS-000015	5/8"-11 18-8 SS Hex Nut	18



INSTALLATION DRAWING

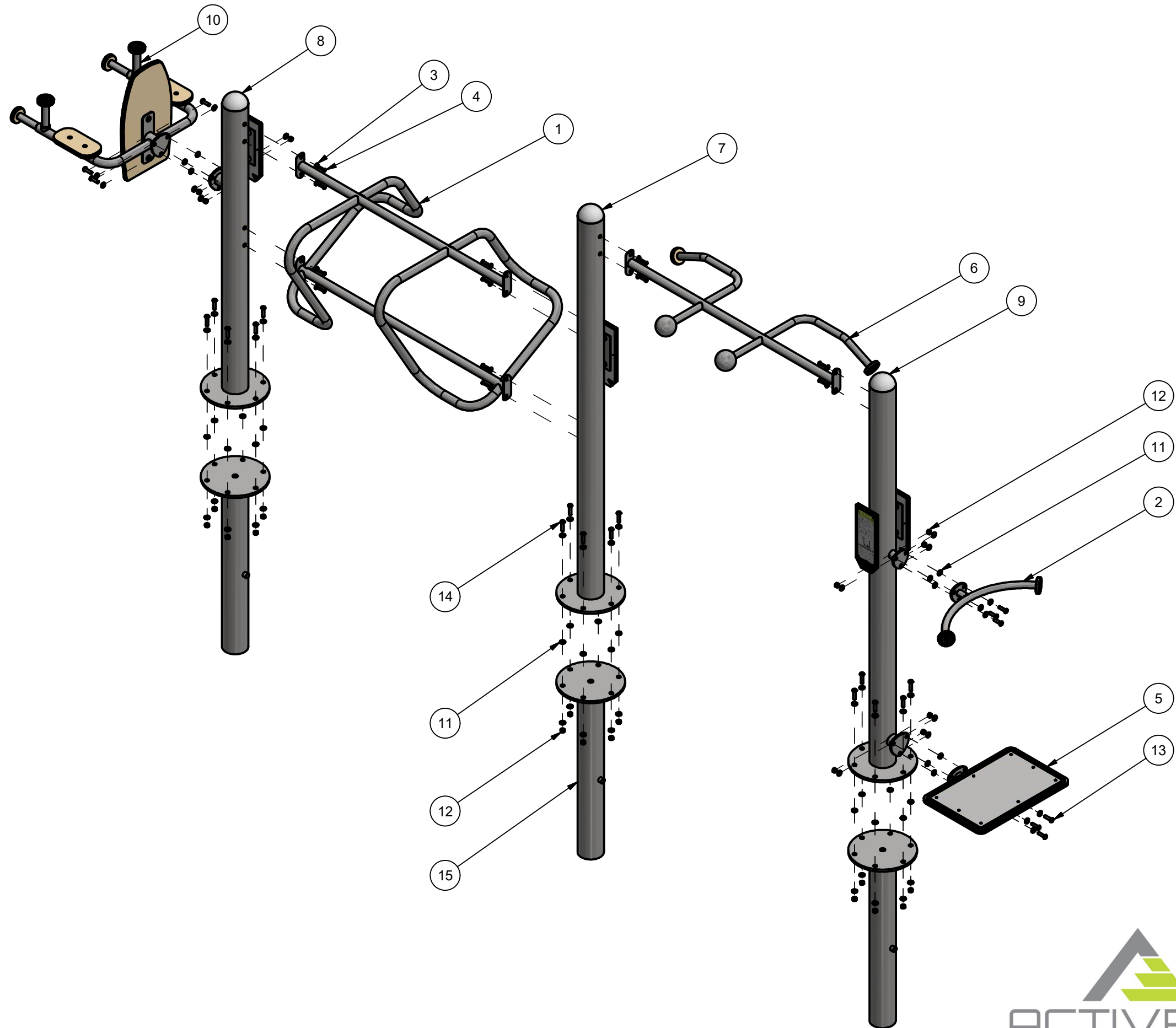
PRODUCT NAME: ActiveFit Challenge Circuit

PRODUCT NUMBER: FIT-000045

ALL DIMENSIONS ARE IN INCHES

SCALE 1:20

www.activefit.ca | 800-463-2361



Parts List

Item	Product Number	Product Name	QTY
1	MTL-000177	Multi Position Dip Bar	1
2	MTL-000311	ActiveFit Modular Handle Bar	1
3	FAS-000005	3/8" ID x 1" OD Flat SS Washer	12
4	FAS-000002	3/8"-16 X 1 1/4" : Six Lobe Bolt (TORX TAMPER RESISTANT Bolts)	12
5	MTL-000314	Stepper Support Pipe	1
6	OVH-000001	ActiveFit Multi-Grip Pull Up Bar	1
7	PST-000014	ActiveFit Pull-Up/Dip Post. With Mounting Holes for Fitness Use Sign (Bar Height 82 inches)	1
8	PST-000032	ActiveFit Ø5" x 13 gauge x 65.5" Modular Post w/ Sign Connector 46" from Grade	1
9	PST-000033	ActiveFit Pull-Up/Stepper Post w/ Mounting Holes for Fitness Use Sign	1
10	MTL-000258	Kneelift weldment	1
11	FAS-000035	1/2" Galvanized Steel Structural Flat Washer	81
12	FAS-000034	1/2"-13 SS Hex Nut	27
13	FAS-000041	1/2"-13 x 1-3/4" ASTM F879 Hex Drive Grade 18-8 Stainless Steel Button Socket Cap Screw	9
14	FAS-000033	1/2" x 13 x 2" SS Button Socket Cap Screw	18
15	FDN-000003	Concrete Post Extension (13" dia Plate w/ 5" Post)(No Gussets)	3



INSTALLATION DRAWING

PRODUCT NAME: ActiveFit Challenge Circuit

PRODUCT NUMBER: FIT-000045

ALL DIMENSIONS ARE IN INCHES

SCALE 1:20

www.activefit.ca | 800-463-2361