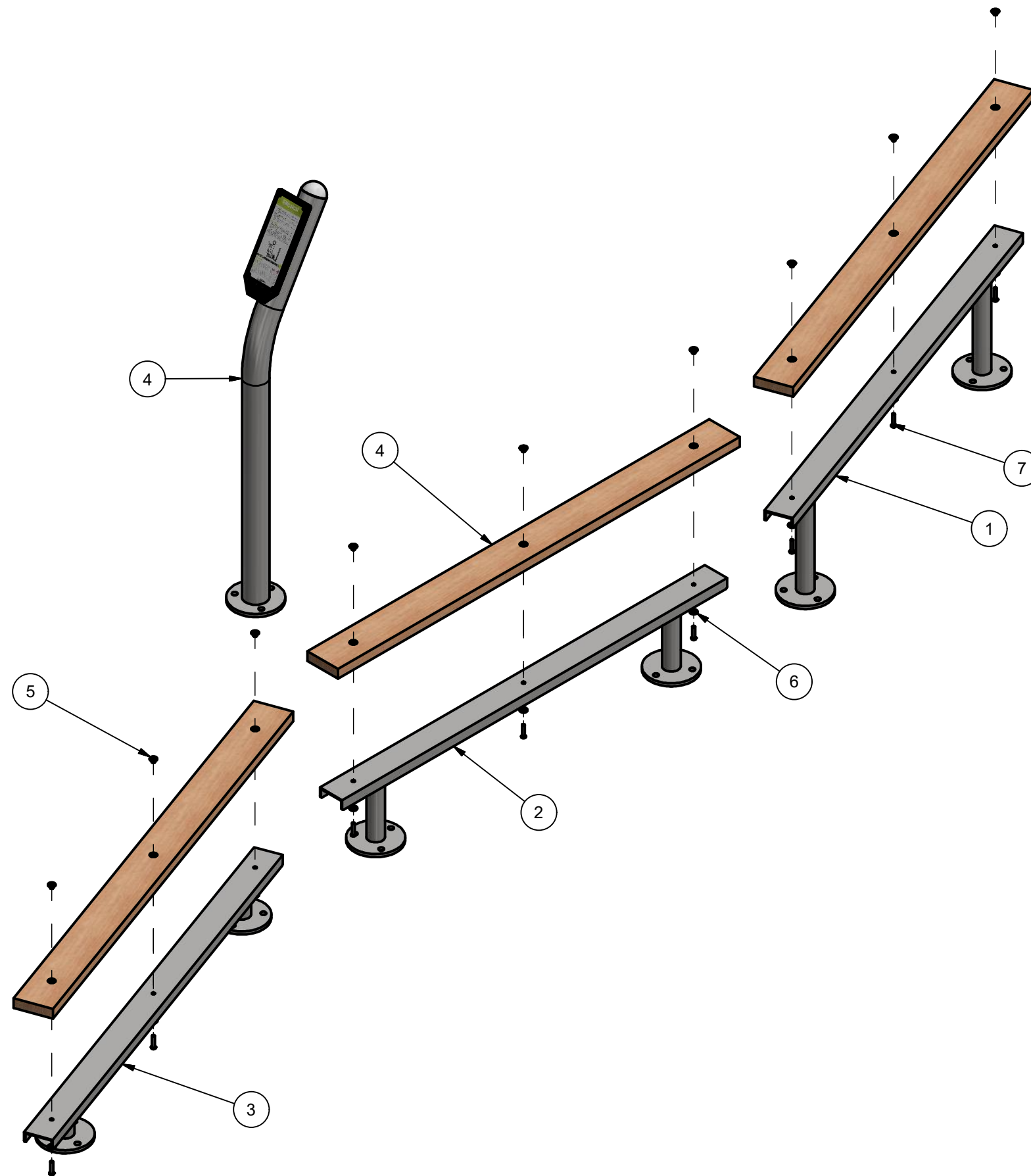


PLAN VIEW DRAWING	
PRODUCT NAME: ActiveFit Balance Beams	
PRODUCT NUMBER: FIT-000033	REVISED JAN. 2018
ALL DIMENSIONS ARE IN INCHES	SCALE 1 : 24
<a href="http://www.activefit.ca">www.activefit.ca</a>   800-463-2361	

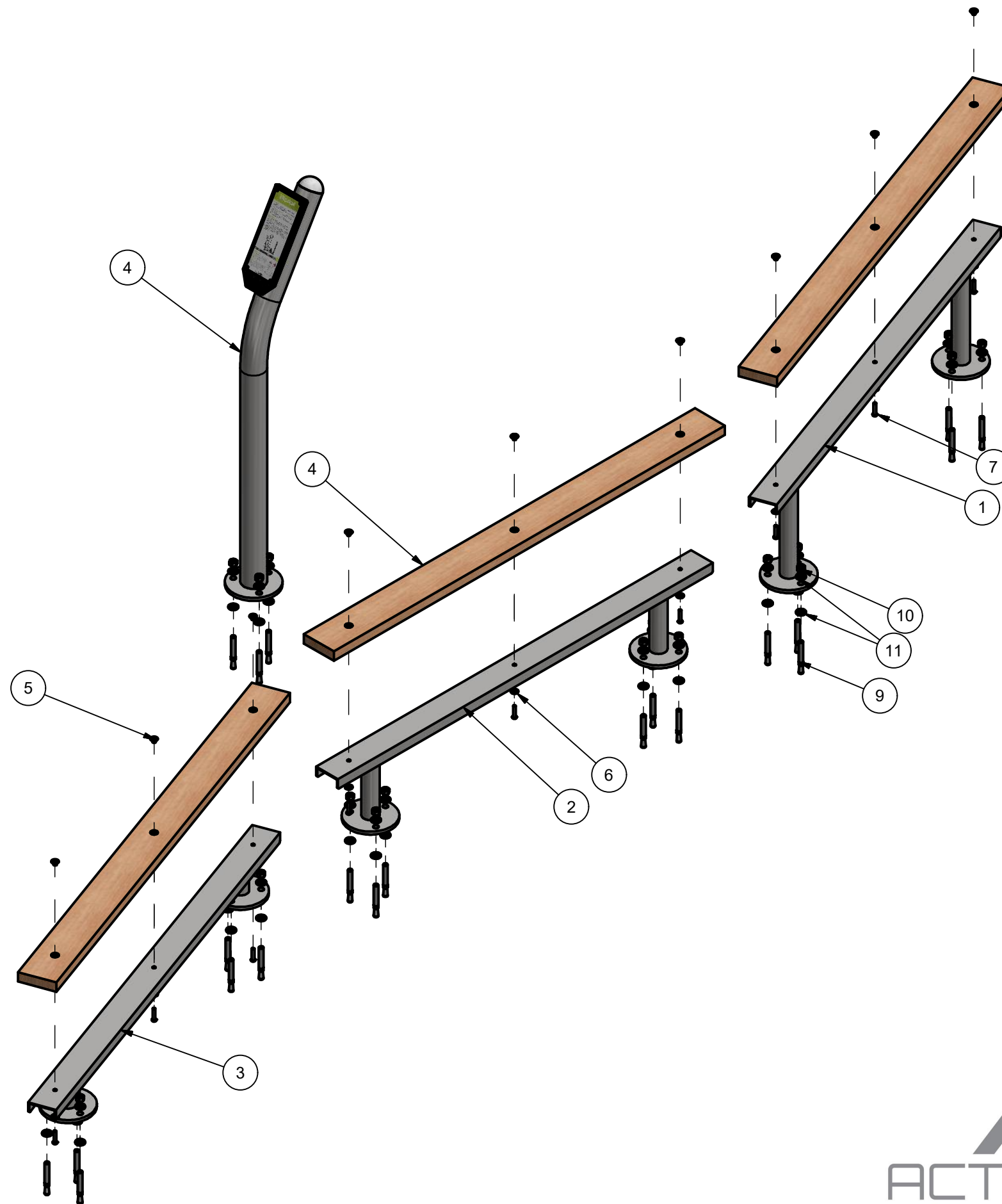


Parts List			
Item	Product Number	Product Name	QTY
1	MTL-000283	ActiveFit Balance Beam Weldment Large	1
2	MTL-000282	ActiveFit Balance Beam Weldment Medium	1
3	MTL-000281	ActiveFit Balance Beam Weldment Small	1
4	CRP-000001	ActiveFit Balance Beam Board (2"x 6" x 72")	3
5	FAS-000037	3/8" - 16 Round Base Tee Nut	9
6	FAS-000005	3/8" ID x 1" OD Flat SS Washer	9
7	FAS-000049	3/8"-16 X 1 3/4" : Six Lobe Bolt (TORX TAMPER RESISTANT Bolts)	9
4	PST-000027	ActiveFit Ø3.5" Stand Alone Sign Post	1

MANUFACTURING NOTES:

APPLY LOCKTITE WHEN ASSEMBLING

COMPANY: ActiveFit	GENERAL ASSEMBLY
PRODUCT NAME: ActiveFit Balance Beams	
PRODUCT NUMBER: FIT-000033	
DRAWN BY: JD	DATE: 1/3/2018
CHECKED BY: JV	REVISION:
CHECKED DATE:	
ALL DIMENSIONS ARE IN INCHES	SCALE 1 : 16



Parts List

Item	Product Number	Product Name	QTY
1	MTL-000283	ActiveFit Balance Beam Weldment Large	1
2	MTL-000282	ActiveFit Balance Beam Weldment Medium	1
3	MTL-000281	ActiveFit Balance Beam Weldment Small	1
4	CRP-000001	ActiveFit Balance Beam Board (2"x 6" x 72")	3
5	FAS-000037	3/8" - 16 Round Base Tee Nut	9
6	FAS-000005	3/8" ID x 1" OD Flat SS Washer	9
7	FAS-000049	3/8"-16 X 1 3/4" : Six Lobe Bolt (TORX TAMPER RESISTANT Bolts)	9
4	PST-000027	ActiveFit Ø3.5" Stand Alone Sign Post	1
9	FAS-000014	5/8" x 5" Trubolt® 316 S/S Wedge Anchor	21
10	FAS-000015	5/8"-11 18-8 SS Hex Nut	21
11	FAS-000013	5/8" ASTM F436 Structural Flat Washer	42

MANUFACTURING NOTES:

APPLY LOCKTITE WHEN ASSEMBLING

INSTALLATION DRAWING

PRODUCT NAME: ActiveFit Balance Beams

PRODUCT NUMBER: FIT-000033

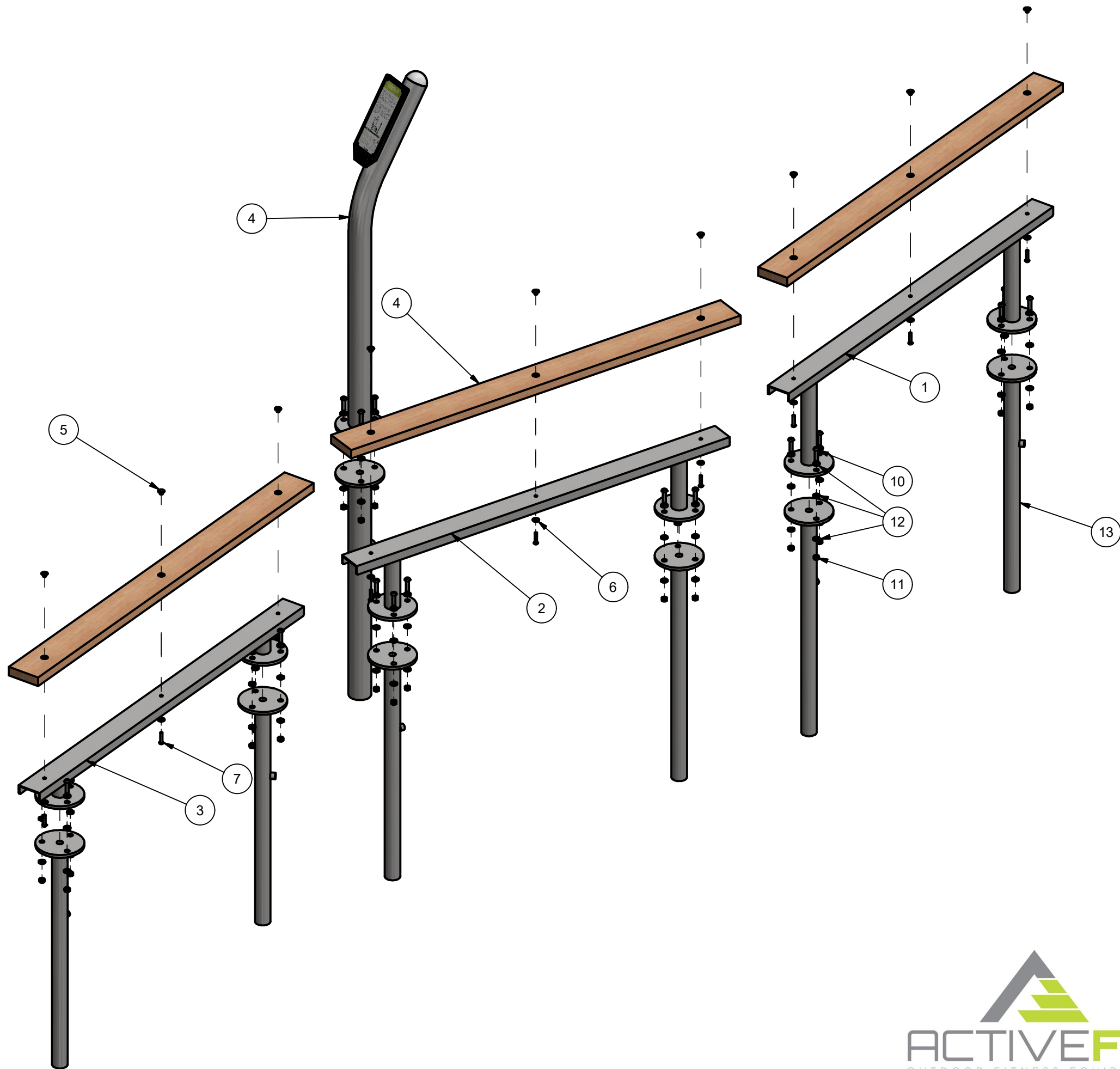
REVISED JAN. 2018

ALL DIMENSIONS ARE IN INCHES

SCALE 1 : 16

[www.activefit.ca](http://www.activefit.ca) | 800-463-2361





Parts List			
Item	Product Number	Product Name	QTY
1	MTL-000283	ActiveFit Balance Beam Weldment Large	1
2	MTL-000282	ActiveFit Balance Beam Weldment Medium	1
3	MTL-000281	ActiveFit Balance Beam Weldment Small	1
4	CRP-000001	ActiveFit Balance Beam Board (2"x 6" x 72")	3
5	FAS-000037	3/8" - 16 Round Base Tee Nut	9
6	FAS-000005	3/8" ID x 1" OD Flat SS Washer	9
7	FAS-000049	3/8"-16 X 1 3/4" : Six Lobe Bolt (TORX TAMPER RESISTANT Bolts)	9
4	PST-000027	ActiveFit Ø3.5" Stand Alone Sign Post	1
9	FDN-000004	Concrete Post Extension (7 1/2" dia Plate w/ 3 1/2" Post)(No Gussets)	1
10	FAS-000033	1/2" x 13 x 2" SS Button Socket Cap Screw	21
11	FAS-000034	1/2"-13 SS Hex Nut	21
12	FAS-000035	1/2" Galvanized Steel Structural Flat Washer	63
13	FDN-000007	Concrete Post Extension (7 1/2" dia Plate w/ 2 3/8" Post)(No Gussets)	6

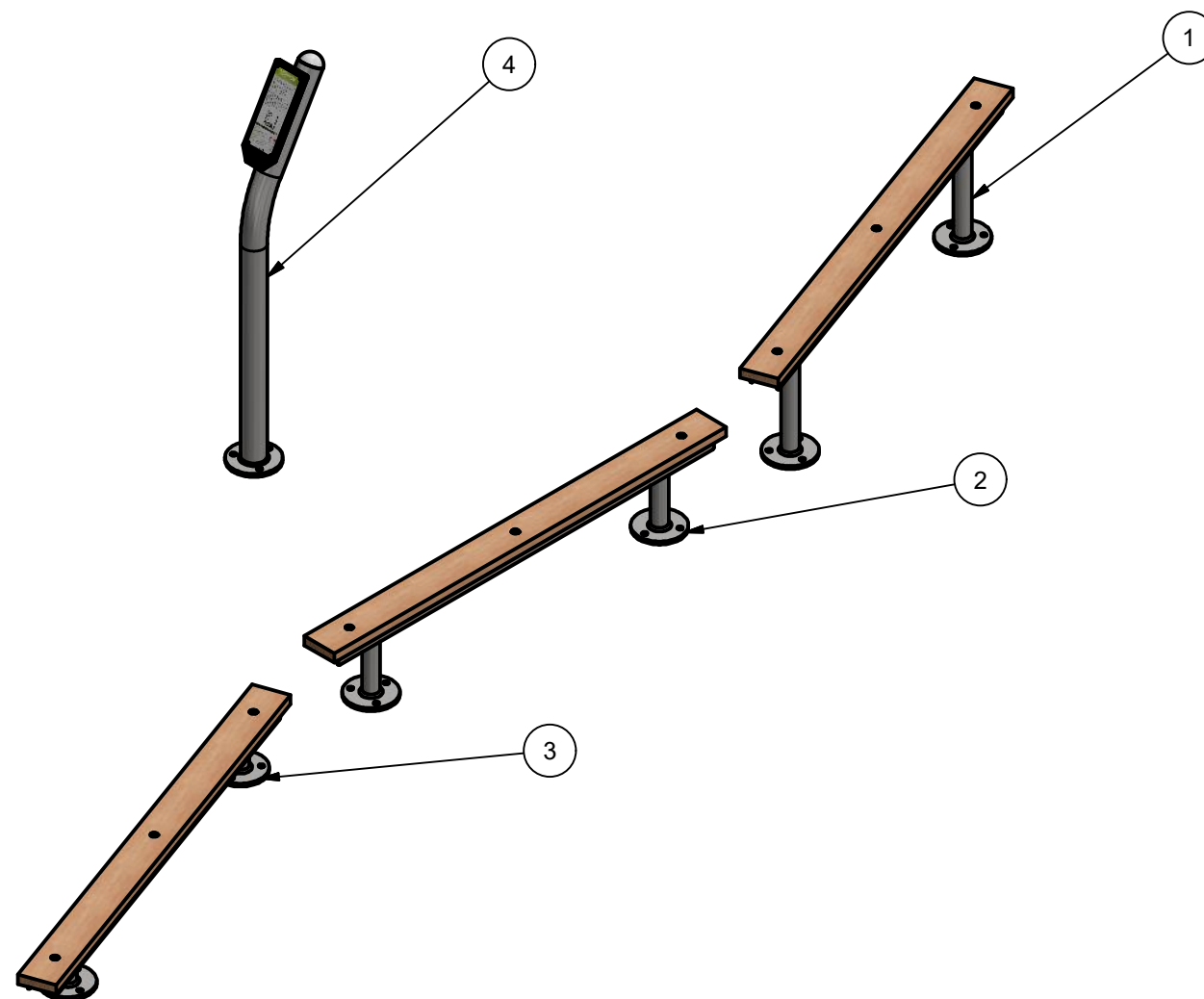
**MANUFACTURING NOTES:**

APPLY LOCKTITE WHEN ASSEMBLING



INSTALLATION DRAWING	
PRODUCT NAME: ActiveFit Balance Beams	
PRODUCT NUMBER: FIT-000033	REVISED JAN. 2018
ALL DIMENSIONS ARE IN INCHES	SCALE 1 : 16
<a href="http://www.activefit.ca">www.activefit.ca</a>   800-463-2361	

Parts List			
Item	Product Number	Product Name	QTY
1	MTL-000283	ActiveFit Balance Beam Weldment Large	1
2	MTL-000282	ActiveFit Balance Beam Weldment Medium	1
3	MTL-000281	ActiveFit Balance Beam Weldment Small	1
4	PST-000027	ActiveFit Ø3.5" Stand Alone Sign Post	1



ASSEMBLY DRAWING	
PRODUCT NAME: ActiveFit Balance Beams	
PRODUCT NUMBER: FIT-000033	REVISED JAN. 2018
ALL DIMENSIONS ARE IN INCHES	SCALE 1 : 24
<a href="http://www.activefit.ca">www.activefit.ca</a>   800-463-2361	