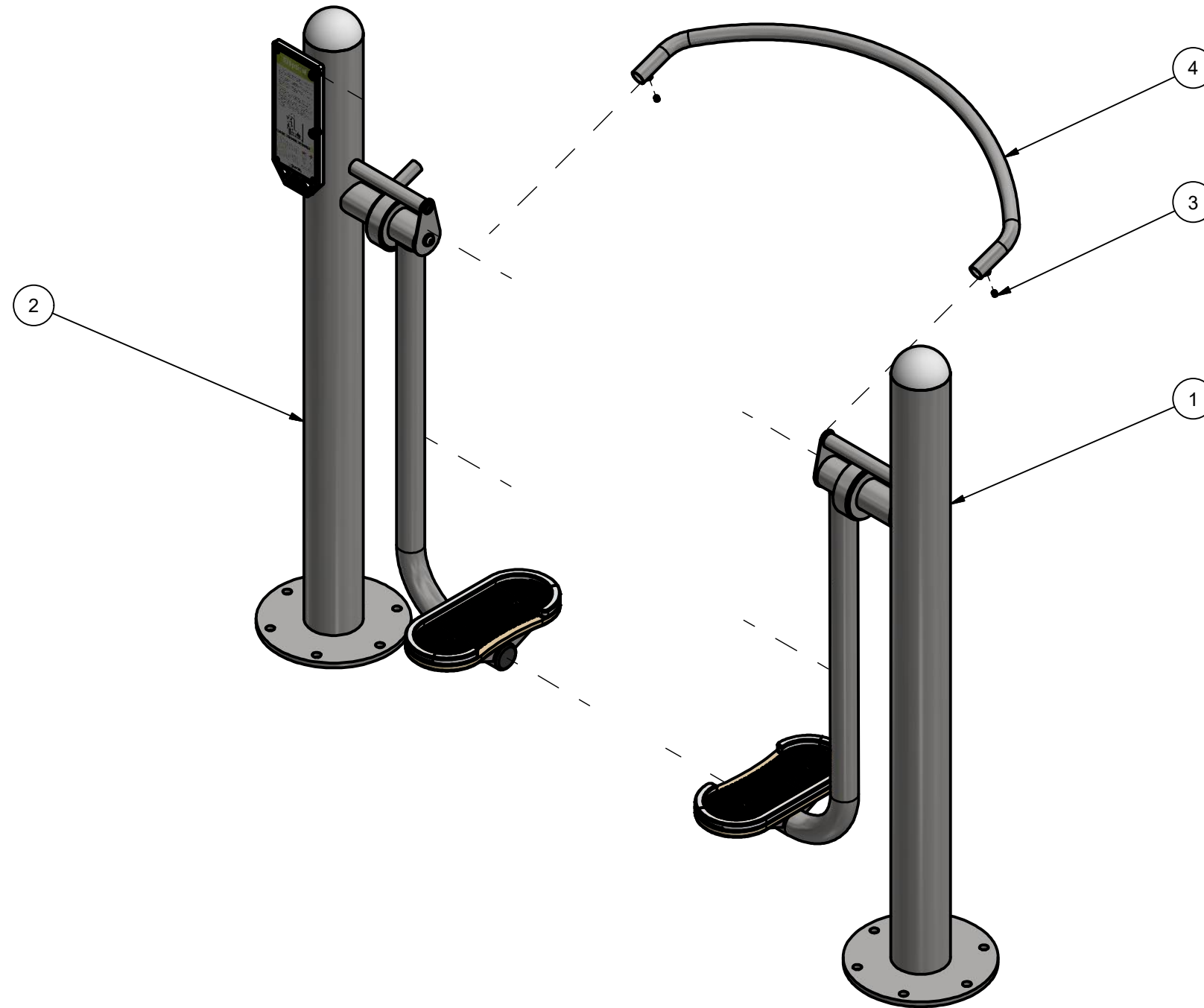


PLAN VIEW DRAWING	
PRODUCT NAME: ActiveFit Air Walker	
PRODUCT NUMBER: FIT-000004	REVISED AUG. 2018
ALL DIMENSIONS ARE IN INCHES	SCALE 1 : 24
<a href="http://www.activefit.ca">www.activefit.ca</a>   800-463-2361	

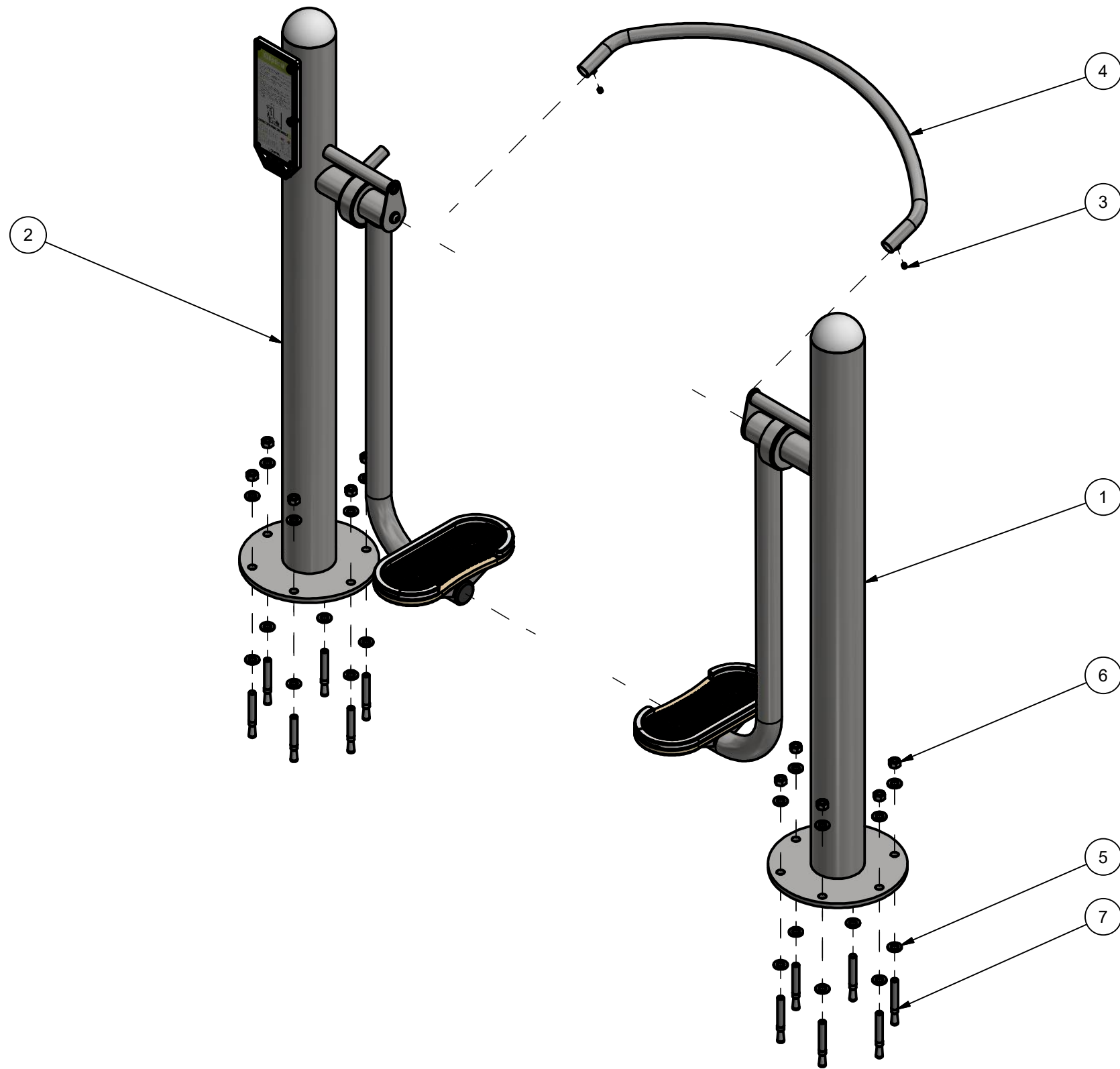
Parts List			
Item	Product Number	Product Name	QTY
1	MTL-000069	ActiveFit Air Walker Post (No Sign)	1
2	MTL-000072	ActiveFit Air Walker Post (With Use Sign)	1
3	FAS-000028	3/8"-16 x 3/8" Hex Drive 18-8 SS Set Screw	2
4	MTL-000074	ActiveFit Air Walker Handle Bar	1



NOTE:  
APPLY LOCKTITE TO BOLTS WHEN ASSEMBLING



ASSEMBLY DRAWING	
PRODUCT NAME: ActiveFit Air Walker	
PRODUCT NUMBER: FIT-000004	REVISED JAN. 2018
ALL DIMENSIONS ARE IN INCHES	SCALE 1:12
<a href="http://www.activefit.ca">www.activefit.ca</a>   800-463-2361	

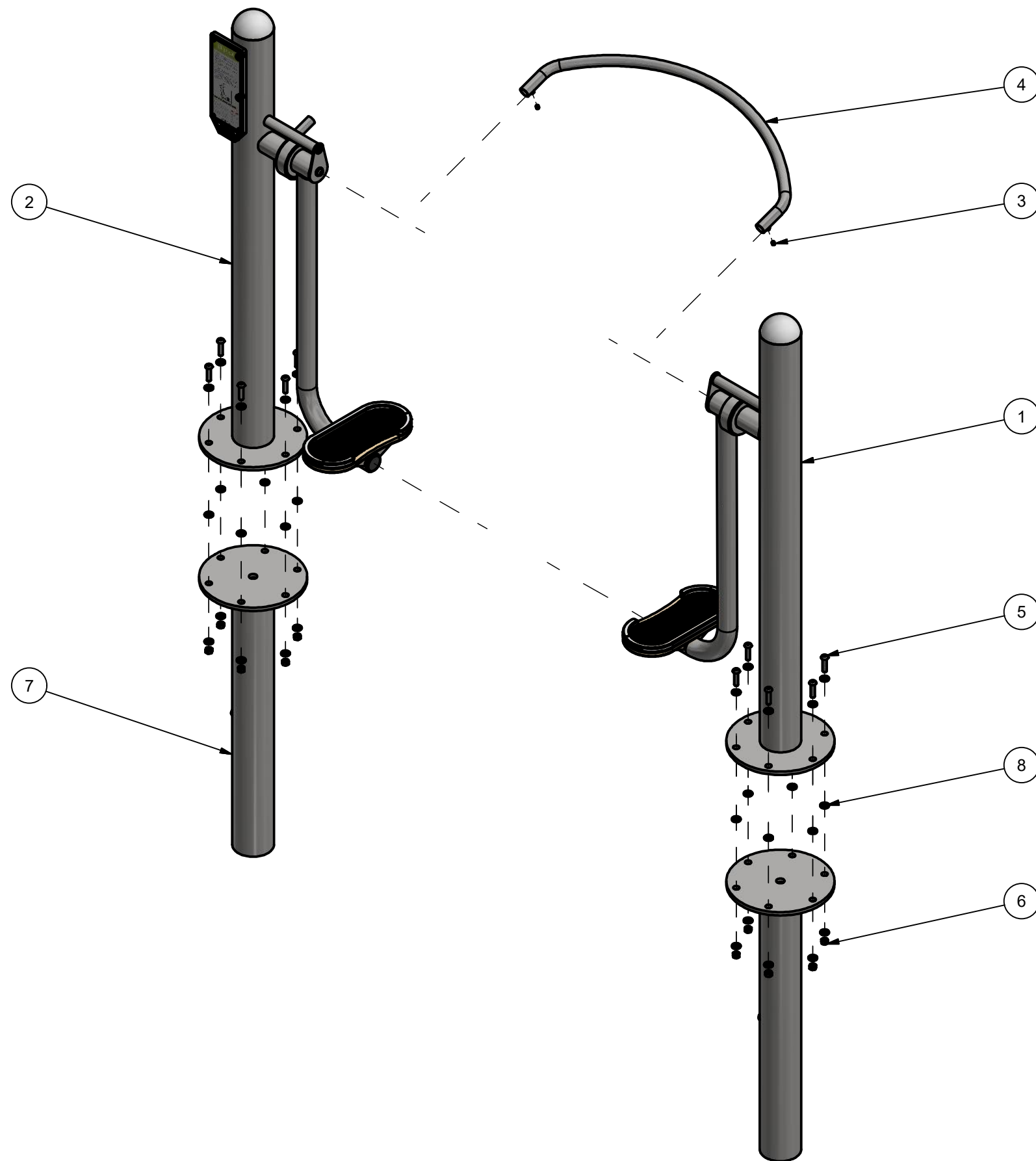


Parts List			
Item	Product Number	Product Name	QTY
1	MTL-000069	ActiveFit Air Walker Post (No Sign)	1
2	MTL-000072	ActiveFit Air Walker Post (With Use Sign)	1
3	FAS-000028	3/8"-16 x 3/8" Hex Drive 18-8 SS Set Screw	2
4	MTL-000074	ActiveFit Air Walker Handle Bar	1
5	FAS-000013	5/8" ASTM F436 Structural Flat Washer	24
6	FAS-000015	5/8"-11 18-8 SS Hex Nut	12
7	FAS-000014	5/8" x 5" Trubolt® 316 S/S Wedge Anchor	12

NOTE:  
APPLY LOCKTITE TO BOLTS WHEN ASSEMBLING



INSTALLATION DRAWING	
PRODUCT NAME: ActiveFit Air Walker	
PRODUCT NUMBER: FIT-000004	REVISED JAN. 2018
ALL DIMENSIONS ARE IN INCHES	SCALE 1:12
<a href="http://www.activefit.ca">www.activefit.ca</a>   800-463-2361	



Parts List			
Item	Product Number	Product Name	QTY
1	MTL-000069	ActiveFit Air Walker Post (No Sign)	1
2	MTL-000072	ActiveFit Air Walker Post (With Use Sign)	1
3	FAS-000028	3/8"-16 x 3/8" Hex Drive 18-8 SS Set Screw	2
4	MTL-000074	ActiveFit Air Walker Handle Bar	1
5	FAS-000033	1/2" x 13 x 2" SS Button Socket Cap Screw	12
6	FAS-000034	1/2"-13 SS Hex Nut	12
7	FDN-000002	Concrete Post Extension (13" dia Plate w/ 5" Post)(w/ Gussets)	2
8	FAS-000035	1/2" Galvanized Steel Structural Flat Washer	36

NOTE:  
APPLY LOCKTITE TO BOLTS WHEN ASSEMBLING



INSTALLATION DRAWING	
PRODUCT NAME: ActiveFit Air Walker	
PRODUCT NUMBER: FIT-000004	REVISED JAN. 2018
ALL DIMENSIONS ARE IN INCHES	SCALE 1:15
<a href="http://www.activefit.ca">www.activefit.ca</a>   800-463-2361	