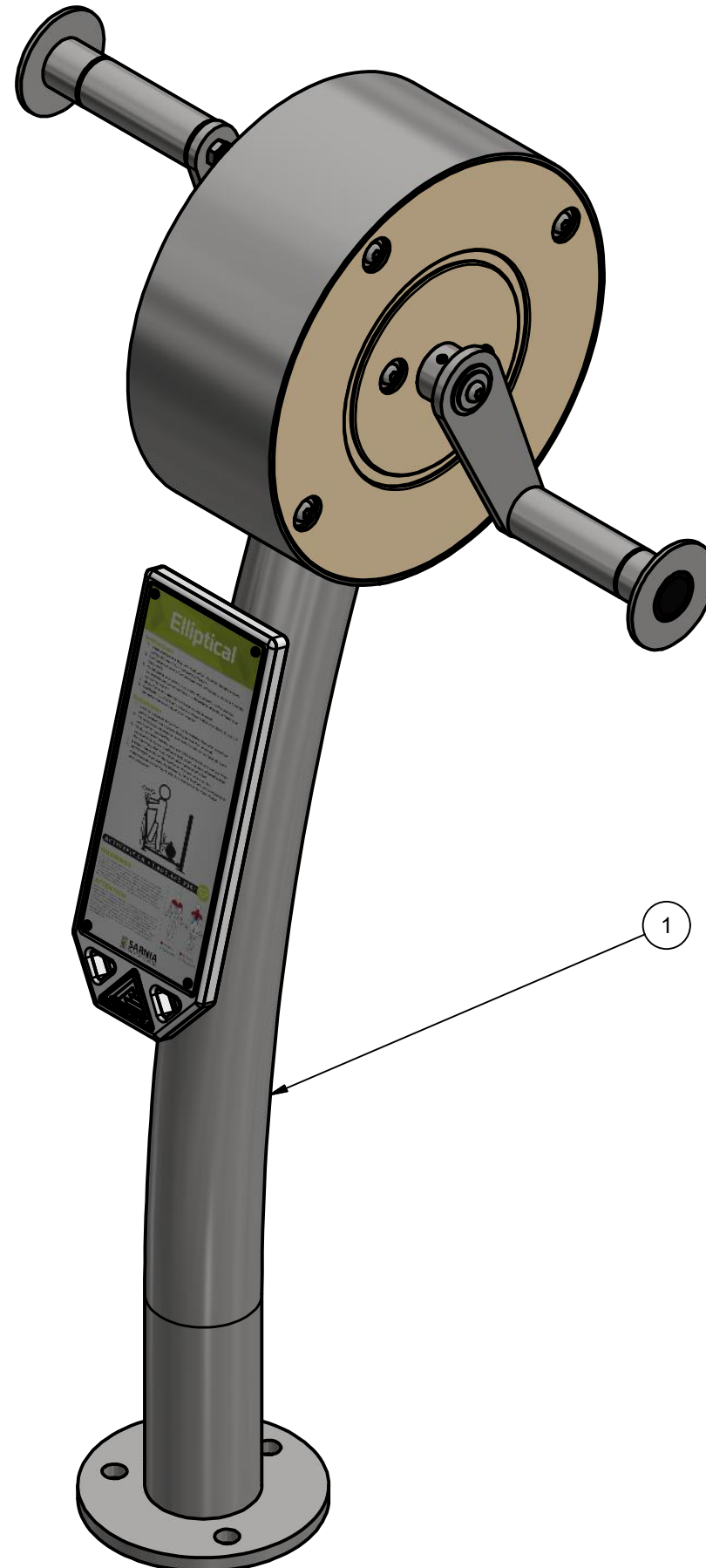
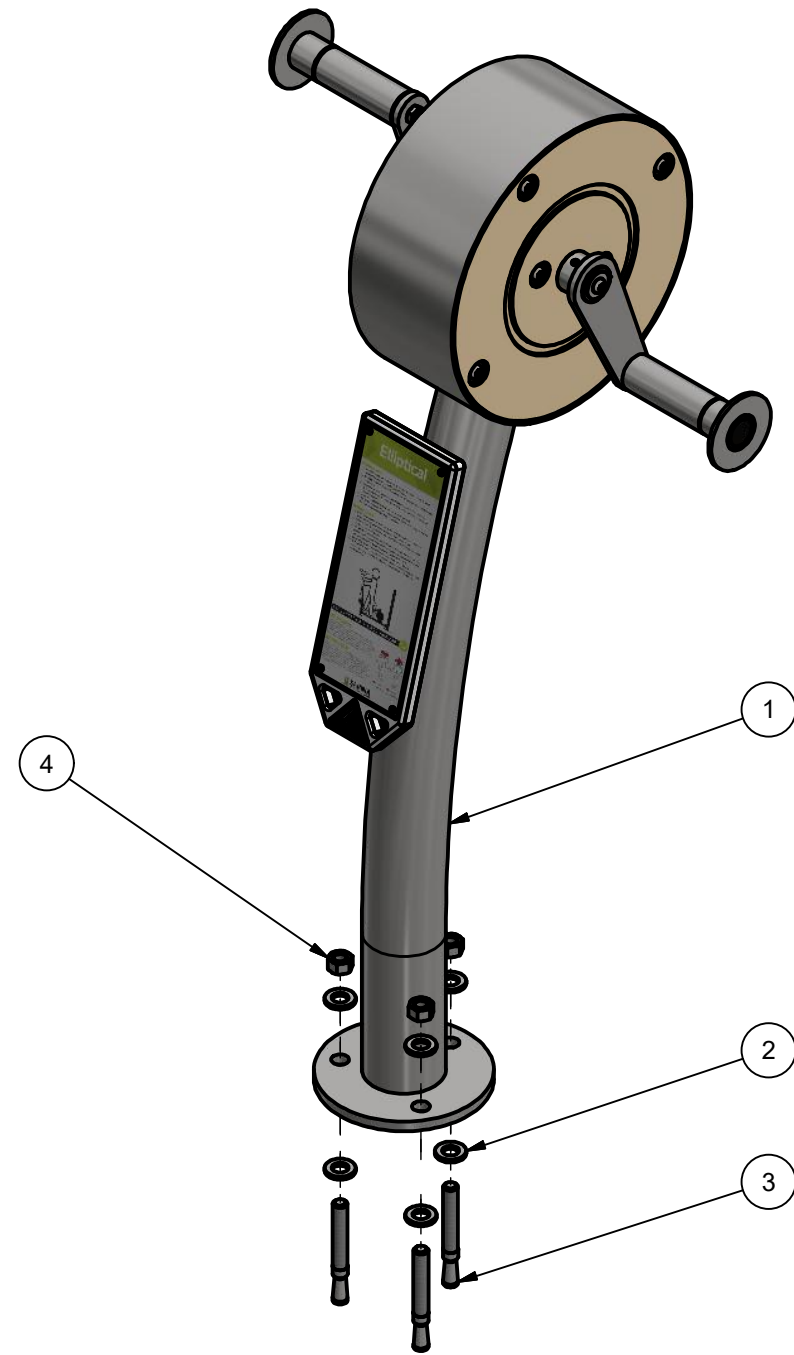


PLAN VIEW DRAWING	
PRODUCT NAME: ActiveFit Hand Bike ADA	
PRODUCT NUMBER: FIT-000039	REVISED JAN. 2018
ALL DIMENSIONS ARE IN INCHES	SCALE 1 : 12
<a href="http://www.activefit.ca">www.activefit.ca</a>   800-463-2361	

Parts List			
Item	Product Number	Product Name	QTY
1	FIT-000039	ActiveFit Hand Bike ADA	1



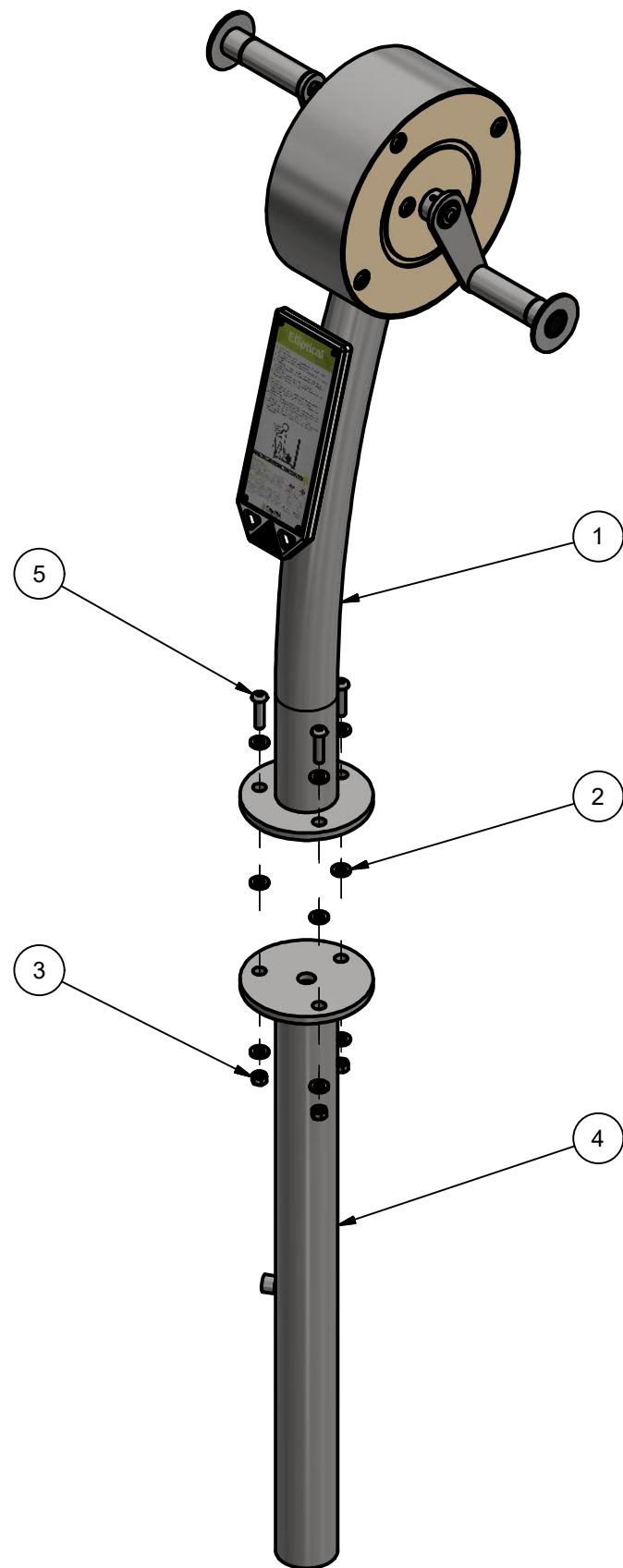
ASSEMBLY DRAWING	
PRODUCT NAME: ActiveFit Hand Bike ADA	
PRODUCT NUMBER: FIT-000039	REVISED JAN. 2018
ALL DIMENSIONS ARE IN INCHES	SCALE 1:5
<a href="http://www.activefit.ca">www.activefit.ca</a>   800-463-2361	



Parts List			
Item	Product Number	Product Name	QTY
1	FIT-000039	ActiveFit Hand Bike ADA	1
2	FAS-000013	5/8" ASTM F436 Structural Flat Washer	6
3	FAS-000014	5/8" x 5" Trubolt® Wedge Anchor	3
4	FAS-000015	5/8"-11 18-8 SS Hex Nut	3
31	MCH-000039	Contant Resistance Rotary Break	1
32	FAS-000003	3/8"-16 X 2 1/4" : Six Lobe Bolt	1



INSTALLATION DRAWING	
PRODUCT NAME: ActiveFit Hand Bike ADA	
PRODUCT NUMBER: FIT-000039	REVISED JAN. 2018
ALL DIMENSIONS ARE IN INCHES	SCALE 1:8
<a href="http://www.activefit.ca">www.activefit.ca</a>   800-463-2361	



Parts List			
Item	Product Number	Product Name	QTY
1	FIT-000039	ActiveFit Hand Bike ADA	1
2	FAS-000035	1/2" Galvanized Steel Structural Flat Washer	9
3	FAS-000034	1/2"-13 SS Hex Nut	3
4	FDN-000004	Concrete Post Extension (7 1/2" dia Plate w/ 3 1/2" Post)(No Gussets)	1
5	FAS-000033	1/2" x 13 x 2" SS Button Socket Cap Screw	3
31	MCH-000039	Contant Resistance Rotary Break	1
32	FAS-000003	3/8"-16 X 2 1/4" : Six Lobe Bolt	1



INSTALLATION DRAWING	
PRODUCT NAME: ActiveFit Hand Bike ADA	
PRODUCT NUMBER: FIT-000039	REVISED JAN. 2018
ALL DIMENSIONS ARE IN INCHES	SCALE 1:10
<a href="http://www.activefit.ca">www.activefit.ca</a>   800-463-2361	