

TRAINING ENVELOPE

CLEARANCE SPACE

R12 TYP

72 REF

118 REF

36

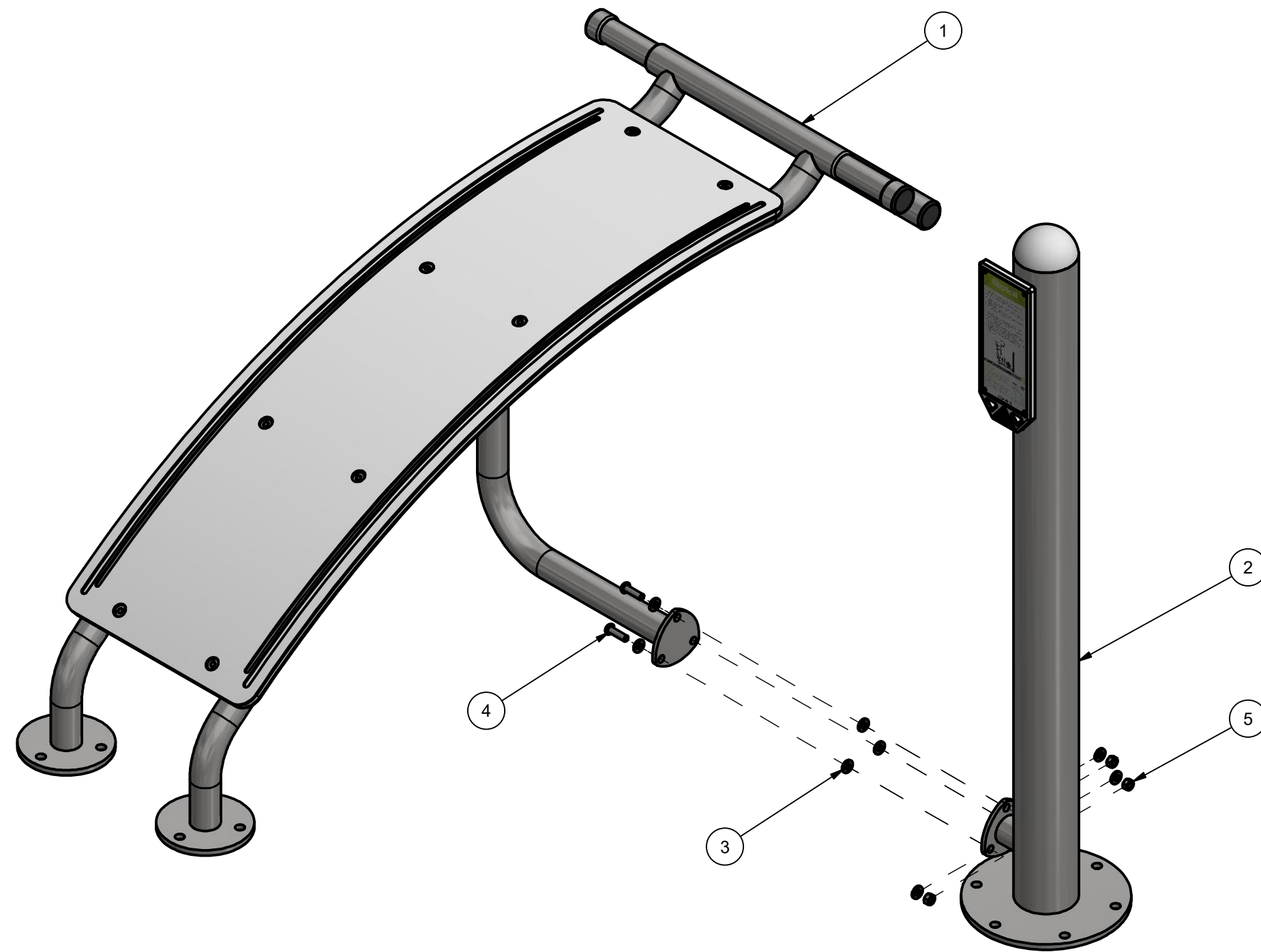
18

58

60



PLAN VIEW DRAWING	
PRODUCT NAME: ActiveFit Sit-up Bench	
PRODUCT NUMBER: FIT-000023	REVISED JAN. 2018
ALL DIMENSIONS ARE IN INCHES	SCALE 1 : 16
<a href="http://www.activefit.ca">www.activefit.ca</a>   800-463-2361	

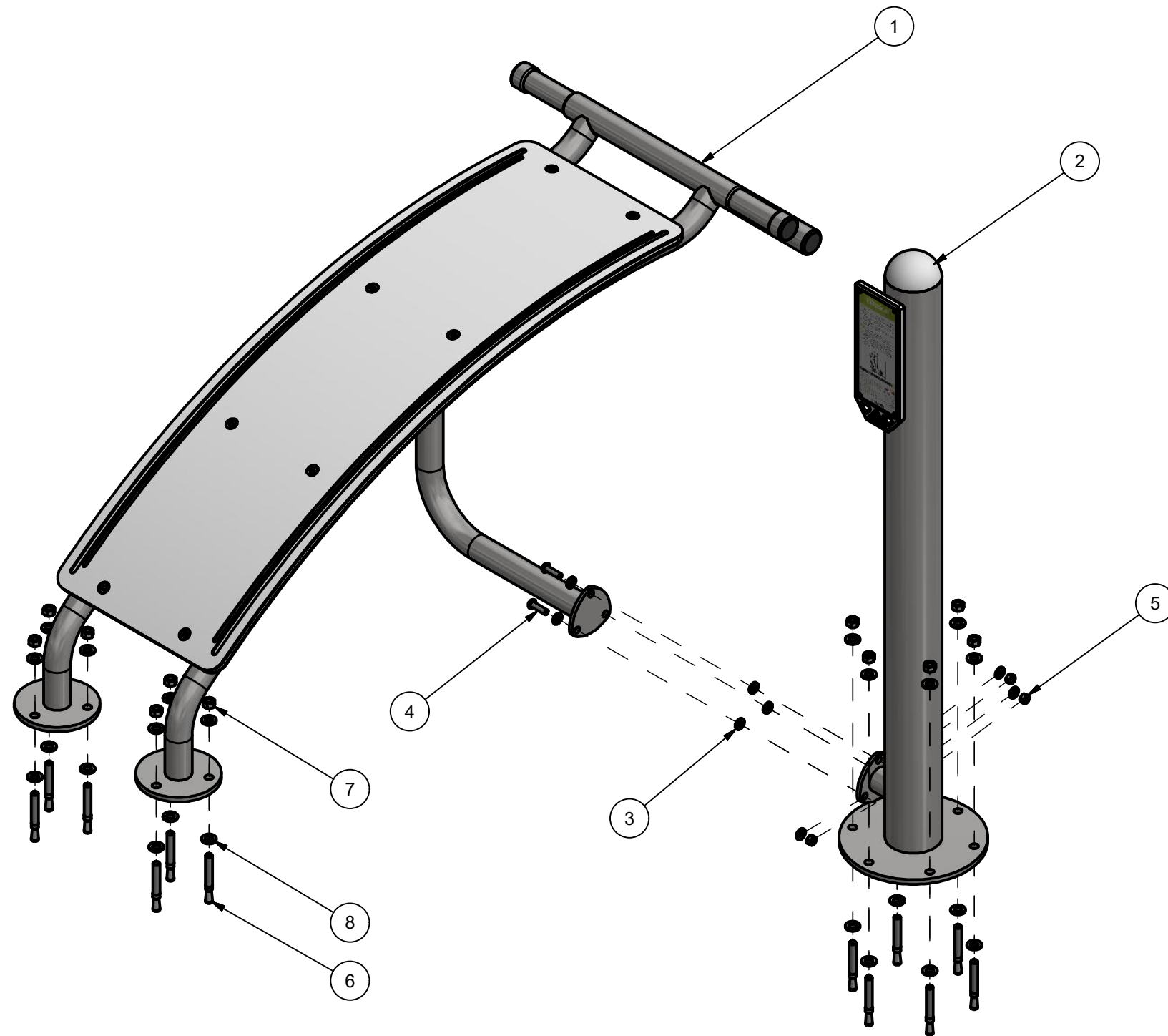


Parts List			
Item	Product Number	Product Name	QTY
1	MTL-000205	Sit Up Bench Main Frame	1
2	PST-000006	ActiveFit Ø5" x 13 gauge x 5' Modular Post w/ Sign. Connector 1 1/2" from Grade.	1
3	FAS-000035	1/2" Galvanized Steel Structural Flat Washer	9
4	FAS-000041	1/2"-13 x 1-3/4" ASTM F879 Hex Drive Grade 18-8 Stainless Steel Button Socket Cap Screw	3
5	FAS-000034	1/2"-13 SS Hex Nut	3

NOTE:  
APPLY LOCKTITE TO BOLTS WHEN ASSEMBLING



ASSEMBLY DRAWING	
PRODUCT NAME: ActiveFit Sit-up Bench	
PRODUCT NUMBER: FIT-000023	REVISED JAN. 2018
ALL DIMENSIONS ARE IN INCHES	SCALE 1:10
<a href="http://www.activefit.ca">www.activefit.ca</a>   800-463-2361	

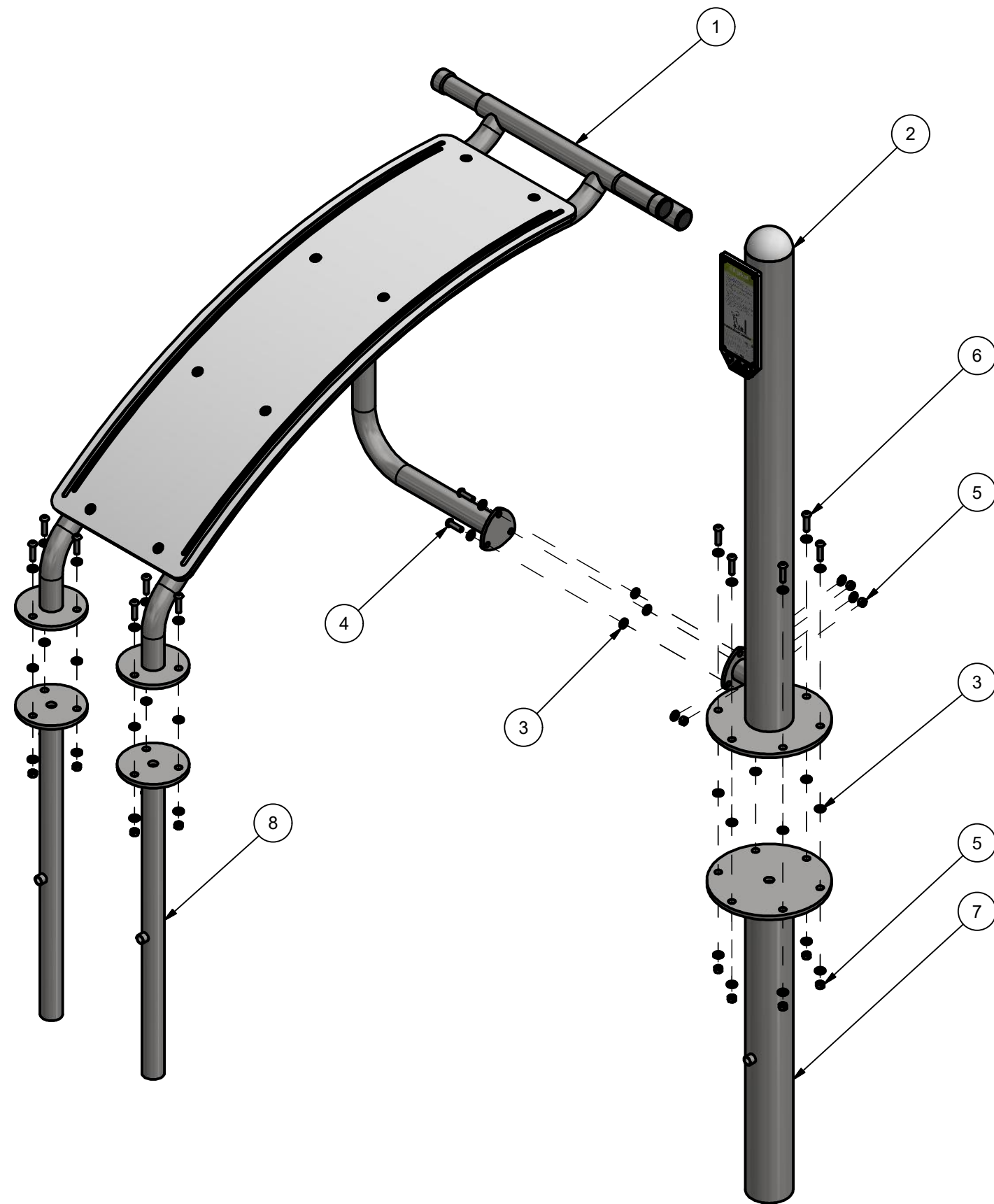


Parts List			
Item	Product Number	Product Name	QTY
1	MTL-000205	Sit Up Bench Main Frame	1
2	PST-000006	ActiveFit Ø5" x 13 gauge x 5' Modular Post w/ Sign. Connector 1 1/2" from Grade.	1
3	FAS-000035	1/2" Galvanized Steel Structural Flat Washer	9
4	FAS-000041	1/2"-13 x 1-3/4" ASTM F879 Hex Drive Grade 18-8 Stainless Steel Button Socket Cap Screw	3
5	FAS-000034	1/2"-13 SS Hex Nut	3
6	FAS-000014	5/8" x 5" Trubolt® 316 S/S Wedge Anchor	12
7	FAS-000015	5/8"-11 18-8 SS Hex Nut	12
8	FAS-000013	5/8" ASTM F436 Structural Flat Washer	24

NOTE:  
APPLY LOCKTITE TO BOLTS WHEN ASSEMBLING



INSTALLATION DRAWING	
PRODUCT NAME: ActiveFit Sit-up Bench	
PRODUCT NUMBER: FIT-000023	REVISED JAN. 2018
ALL DIMENSIONS ARE IN INCHES	SCALE 1:12
<a href="http://www.activefit.ca">www.activefit.ca</a>   800-463-2361	



Parts List			
Item	Product Number	Product Name	QTY
1	MTL-000205	Sit Up Bench Main Frame	1
2	PST-000006	ActiveFit Ø5" x 13 gauge x 5' Modular Post w/ Sign. Connector 1 1/2" from Grade.	1
3	FAS-000035	1/2" Galvanized Steel Structural Flat Washer	45
4	FAS-000041	1/2"-13 x 1-3/4" ASTM F879 Hex Drive Grade 18-8 Stainless Steel Button Socket Cap Screw	3
5	FAS-000034	1/2"-13 SS Hex Nut	15
6	FAS-000033	1/2" x 13 x 2" SS Button Socket Cap Screw	12
7	FDN-000003	Concrete Post Extension (13" dia Plate w/ 5" Post)(No Gussets)	1
8	FDN-000007	Concrete Post Extension (7 1/2" dia Plate w/ 2 3/8" Post)(No Gussets)	2

NOTE:  
APPLY LOCKTITE TO BOLTS WHEN ASSEMBLING



INSTALLATION DRAWING	
PRODUCT NAME: ActiveFit Sit-up Bench	
PRODUCT NUMBER: FIT-000023	REVISED JAN. 2018
ALL DIMENSIONS ARE IN INCHES	SCALE 1:14
<a href="http://www.activefit.ca">www.activefit.ca</a>   800-463-2361	